

"BOOMS THAT ZOOM" TADANO

HYDRAULIC CRANE TS-100L

10-ton capacity
16.0m boom + 8.15m jib



CRANE SPECIFICATIONS

CAPACITY	10,000kg at 3.3m
BOOM	Box type, fully hydraulically powered, two sections
Retracted length	9.0m
Extended length	16.0m
Extension speed	7.0m/45sec
Elevation	0° to 75° in 40 seconds by double-acting, hydraulic cylinder
Boom point	3 sheaves
Jib point	Single sheave
Jib length	8.15m
HOIST—MAIN WINCH	Hydraulic motor driven; power up, down and free fall; spur gear speed reduction; foot brake
Single line pull	1,670kg
Single line speed	84m/min (at the 4th layer)
Wire rope:	
Dia. x length	12.5mm x 131m
Hook block	3 sheaves
Hook speed	6-part line: 14m/min (at the 4th layer)
HOIST—AUXILIARY WINCH	Hydraulic motor driven; power up, down and free fall; spur gear speed reduction; foot brake

Single line pull	750kg
Single line speed	160m/min (at the 2nd layer)
Wire rope:	
Dia. x length	9.0mm x 105m
Hook block	Single sheave
Hook speed	2-part line: 80m/min (at the 2nd layer)
SWING	Hydraulic motor driven, 360° continuous rotation, post-centered swing on plane bearings, external gear
Swing speed	2.8rpm
OUTRIGGERS	Hydraulically operated; double-box construction; rear extended in "X" configuration, and front in "H"; integral with crane frame; power in, out, up and down; provided with pilot check valves
Extended width	4,600mm (Max.)
HYDRAULIC SYSTEM:	
Hydraulic pump	Dual-tandem gear pump
Hydraulic motors	Axial plunger types for winch and swing
Control valve	Multiple-control valve with integral relief valves

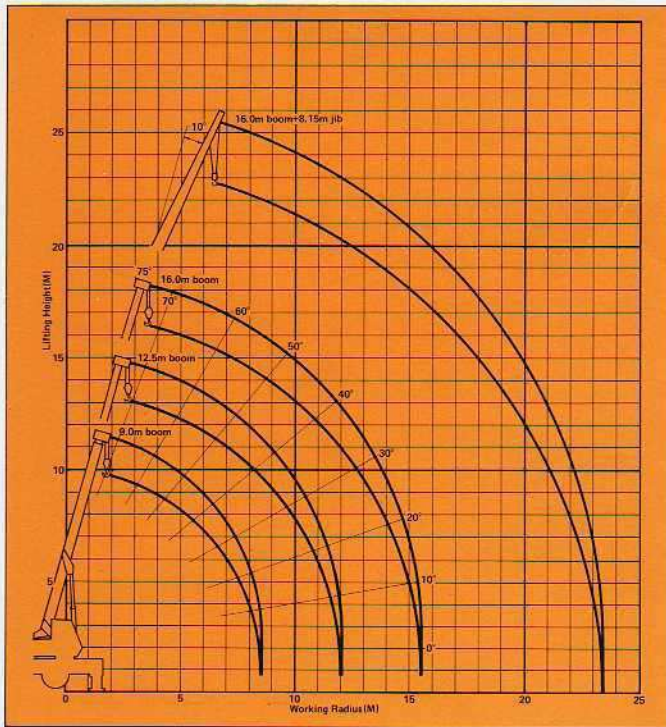
SAFETY DEVICES:

- Load meter • Load indicator • Overwinding alarm device
 - Tipping warning device • Hook safety latch • Over-front indicator device • Hydraulic safety valves for check and holding
- Note:** All crane function speeds are based on no load conditions.

"BOOMS THAT ZOOM"

TADANO TS-100L HYDRAULIC CRANE

WORKING RANGES



Does not include boom deflection.

TOTAL RATED LOADS

Unit: kg

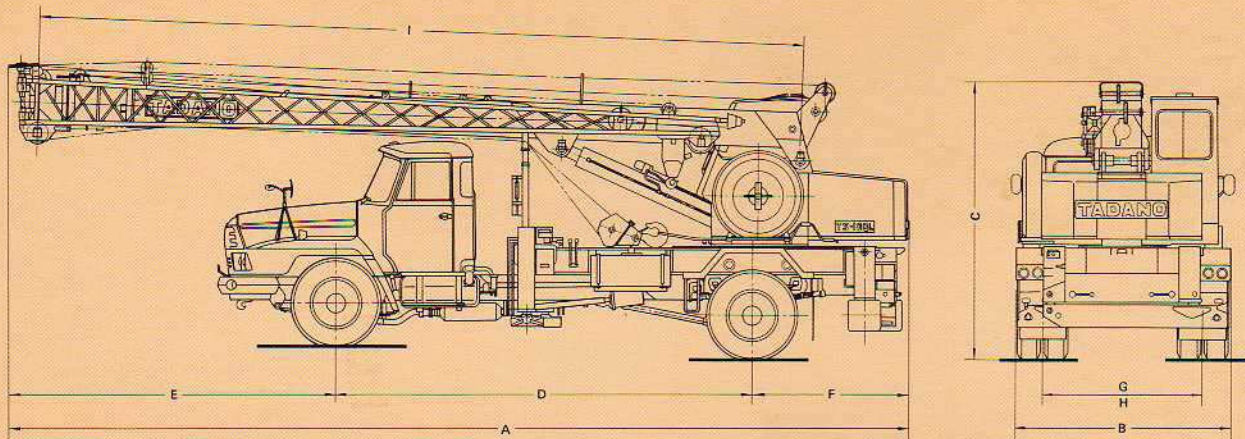
Outriggers fully extended (over side and rear)					
Working radius	Boom length			Elevation angle	Boom length + 8.15m jib
	9.0m	12.5m	16.0m		
3.0m	10,000			75°	1,500
3.3m	10,000	8,500		70°	1,500
3.5m	9,800	8,500		65°	1,300
4.2m	8,500	7,400	7,000	60°	1,200
4.5m	7,700	6,900	6,600	55°	1,100
5.0m	6,700	6,300	6,000	50°	950
6.0m	5,300	5,300	5,000	45°	850
7.0m	4,300	4,400	4,300	40°	750
8.0m	3,500	3,600	3,600	30°	550
8.5m	3,100	3,300	3,300	20°	450
10.0m		2,400	2,400	10°	400
12.0m		1,700	1,800	0°	400
14.0m			1,300		
15.5m			1,100		

NOTES

- Total rated loads shown in the table above are based on the condition that the crane is set on firm, horizontal ground. Those above the bold lines are based on crane strength; those below, on crane stability.
- Each rating includes the weight of hooks (120kg for main hook and 50kg for auxiliary hook) and slings.
- The total rated loads below the bold lines do not exceed 78% of tipping.
- For free-fall operation, loads should be no more than 1/3 of the total rated loads.

DIMENSIONS

Unit: mm



All dimensions are approximate.

Chassis Model	Dimensions (mm)								
	A	B	C	D	E	F	G (Front)	H (Rear)	I
NISSAN DIESELTK20LCL	10,695	2,480	3,285	5,100	3,775	1,820	1,940	1,860	Max. 16,000
MITSUBISHI T331L	10,695	2,480	3,320	4,900	3,915	1,880	2,000	1,825	
HINO KB222	10,695	2,480	3,400	4,900	3,935	1,860	1,900	1,840	Min. 9,000
ISUZU TD72L	10,695	2,480	3,310	4,950	3,885	1,860	1,960	1,820	

All specifications herein are subject to change without notice.

TADANO

TADANO LTD.

World Trade Center Bldg., 4-1, Hamamatsu-cho 2-chome,
Minato-ku, Tokyo 105, Japan
Telephone: Tokyo 435-3611 Cable: TADANIRCO TOKYO
Telex: 23755, 2422018

Distributed by