



SST-37/40

Articulated/Telescopic Aerial Lift



DEMAND BETTER

Unitrol Bucket Controls
available for full
hydraulic machines



Hydraulic
Platform
Rotation

Hydraulic Tool
Outlets Available

Patented Electroguard
provides 42" insulation
gap in fully retracted
position insulated
units only



- Working Height: Up to 45'
- Horizontal Reach: Up to 27' 9"
- Platform Capacity: Up to 440 lbs.
- Capable of Mounting on 16000 GVWR Chassis



For more information about the SST-37/40 or any of the other outstanding VERSALIFT machines, contact your authorized VERSALIFT Distributor or call 1.800.825.1085.



SST-37/40

Articulated/Telescopic Aerial

GENERAL SPECIFICATIONS	SST-37-EIH	SST-40-EIH	SST-37-ENH	SST-40-ENH	SST-37-NE
<i>(Based on 40 in (1.02 m) Frame Height)</i>					
Horizontal Reach	27 ft. 9 in. (8.5 m)	27 ft. 9 in. (8.5 m)	27 ft. 9 in. (8.5 m)	27 ft. 9 in. (8.5 m)	27 ft. 9 in. (8.5 m)
Standard Platform Capacity	300 lbs. (136 kg)	300 lbs. (136 kg)	300 lbs. (136 kg)	300 lbs. (136 kg)	300 lbs. (136 kg)
Maximum Platform Capacity (up to)	440 lbs. (204 kg)	440 lbs. (204 kg)	440 lbs. (204 kg)	440 lbs. (204 kg)	440 lbs. (204 kg)
Outer Boom Lift Eye Capacity	500 lbs. (227 kg)	500 lbs. (227 kg)	500 lbs. (227 kg)	500 lbs. (227 kg)	500 lbs. (227 kg)

WITH STANDARD PEDESTAL

Height to Bottom of Platform	37 ft. 0 in. (11.3 m)	40 ft. 0 in. (12.2 m)	37 ft. 0 in. (11.3 m)	40 ft. (12.2 m)	37 ft. 0 in. (11.3 m)
Working Height	42 ft. 0 in. (12.8 m)	45 ft. 0 in. (13.7 m)	42 ft. 0 in. (12.8 m)	45 ft. (13.7 m)	42 ft. 0 in. (12.8 m)
Stowed Travel Height	10 ft. 4 in. (3.1 m)	10 ft. 4 in. (3.1 m)	10 ft. 4 in. (3.15 m)	10 ft. 4 in. (3.15 m)	10 ft. 4 in. (3.15 m)
Weight of Lift	2230 lbs. (1012 kg)	2335 lbs. (1059 kg)	2190 lbs. (933 kg)	2295 lbs. (1041 kg)	2190 lbs. (933 kg)

(without oil and mounting hardware)

HYDRAULIC SYSTEM (ENH/EIH)

Operating Pressure	2250 PSI (158 kg/cm)
Flow Rate	3 GPM (11 lpm) on ENH/EIH 2 GPM (81 lpm) on NE
Filtration	10 micron return 100 mesh suction
System Type	Open center

BOOM ACTION

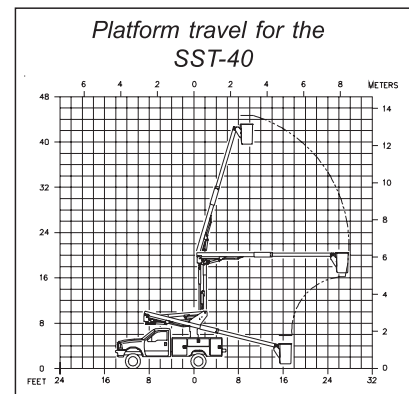
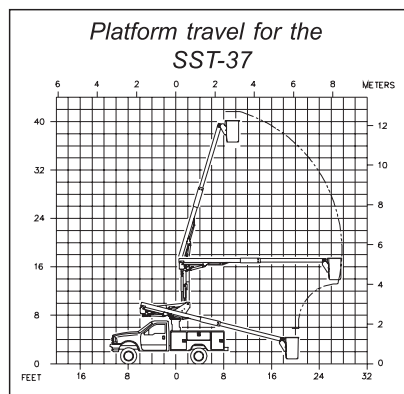
Inner Boom	116 in (2.9 m) Extension
Outer Boom	-14° to +74°
Lower Boom	-7° to vertical
Rotation	370° non-continuous

INSULATION GAP *Insulated Units Only*

Upper Boom fully retracted	42 in. (1.07 m)
Lower Boom Insert (optional)	12 in. (0.3 m)

NOTE:

- Specifications may vary without prior notification.
- Required GVWR can vary significantly with chassis, lift mounting location, service body, accessories, and desired payload.



- Electrical Resistant 4-Axis Control System
- Continuous Rotation
- 180° Rotating Platform
- Hydraulic Tool Circuit at the Platform
- Emergency Power
- Independent Outriggers
- Chassis Insulation System (Lower Boom Insert, Insulated Units Only)
- Two-Speed Throttle Control
- Front & Rear Torsion Bars
- 120 Volt to Platform (Non-Insulated Units)


TIME
 MANUFACTURING COMPANY
 P.O. Box 20368
 Waco, TX 76702-0368
 254.399.2100
 Fax: 254.399.2651
 1.800.825.1085
 www.timemfg.com

