



180 E

*Ride on pick&carry crane
with 18.000 capacity*

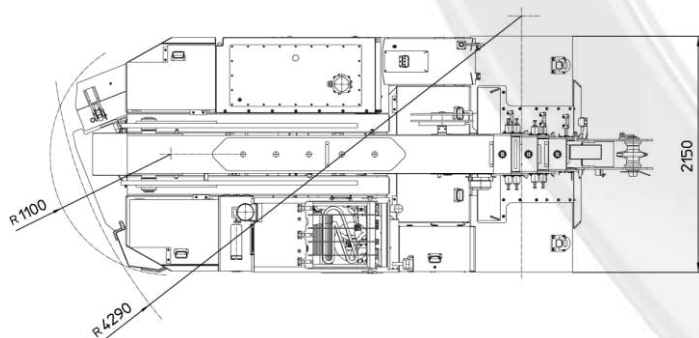
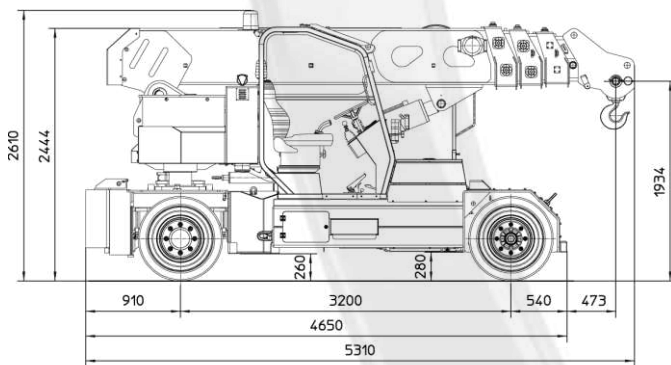
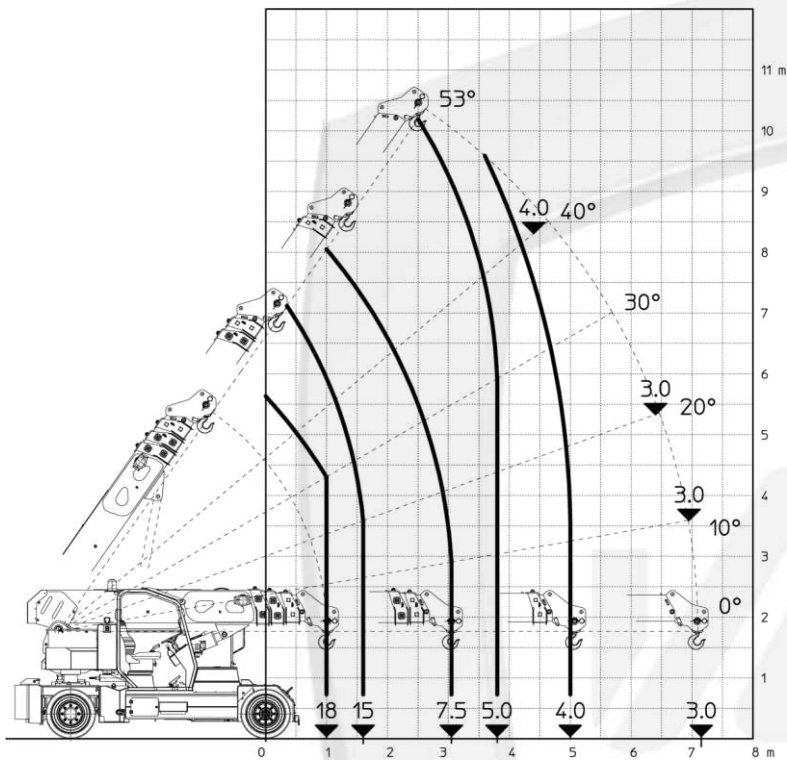


FEATURES

MAX CAPACITY 18.000 kg
MAX BOOM EXTENSION 7,15 m
MAX BOOM ANGLE 53°
MIN BOOM ANGLE 0 °
WEIGHT 19.000kg
REMOVABLE COUNTER 3..4500 kg
CONFORMITY 2006/42 CE;
2014/30 CE; 2014/35 CE;
2000/14 CE; EN 13000

CHASSIS	6 wheels structure made in high quality steel, with internal counterweights
WHEELS	Front: n°4 superelastic wheels 355/65 - R15" Rear: n°2 superelastic wheels 355/65 - R15"
TRACTION	Rear traction with differential axle with reduction gear, powered by electric motor AC – 20 kW controlled by inverter
HYDRAULIC SYSTEM	Powered by electric motor AC – 33 kW controlled by inverter
BRAKES	N°2 brake shoes on front axle N°2 brake shoes on rear axle
STEERING	Rear steering with hydraulic cylinder between chassis and traction group
BOOM	Manufactured in high quality steel, composed by four elements: main boom and three telescopic hydraulic sections
POWER SUPPLY	Electric
BATTERY	96V - 1036 Ah
BOOM'S CONTROL	By electro-hydraulic joystick inside the cabin
DRIVE CONTROL	By pedals and steering wheel inside the cabin
SAFETY SYSTEM	Electronic load moment indicator (LMI) with display for load, boom's position and boom's angle control
OPTIONALS	Hydraulic winch, manual Jib, hydraulic Jib, radio remote control, non marking wheels, chain hoist, self levelling hydraulic forks, battery watering system, on board battery charger, carry deck, closed cabin.

All specifications are subject to change. Consult Valla for latest specifications



Removable ballasts to make it easier to transport the crane



Optional on board battery charger



Optional proportional boom



VALLA MANITEX SRL
Via Leonardo da Vinci 12
29016 - Cortemaggiore (PC) - ITALY

PHONE: +39 0523 256411
EMAIL: info@valla.com
SITE: www.valla.com