

Valla



1725-36 SE



Electric battery operated Carry-Deck Mobile Crane Max. Capacity **Lbs. 35,200**



360° radius boom rotation



Valla	
<u>ON WHEEL</u>	
OUTREACH (Ft)	CAPACITY (Lbs.)
6,5	12,100
18	3,900
26	1,000



Valla	
<u>ON OUTRIGGER</u>	
OUTREACH (Ft)	CAPACITY (Lbs.)
6,5	35,200
18	10,600
26	3,500

TECHNICAL DATA

DRIVING: by two DC 8 kW 72V reversible electric motor , controlled by inverter, variable speed controlled by electronic diagnostic, temperature control and alarm on brushes wear.

TRANSMISSION: differential axle with reduction gear between motor and wheels.

BATTERY: 72V 805Ah battery, battery meter on dashboard.

BRAKES: hydraulic brake drum on the front and rear wheels. Parking hand brake mechanically operated.

SUSPENSION: oscillating rear axle.

OUTRIGGERS: four vertical horizontal separate and independent outriggers hydraulically operated and controlled by safety valves.

WINCH: hydraulic controlled by safety device.

WHEELS: nr. 4 superelastic 10.00 R 20

BOOM: boom fabricated from preformed and welded quality steel plate. Nr.4 telescoping sections: 1 fixed; 2 hydraulically telescoping. Fitted with nylon wear pads adjustable wear pads on the sides. Incorporated manual extension 360° slewing.

BOOM CONTROL: proportional distributor controlled with joystick. Fitted with filter and safety valves. Motor driven pump AC 15 Kw 72V.

LMI: electronic Load Moment Indicator. Display showing lifted load, max allowed load, tilting percentage, operative radius, angle, telescope and light indicators on the operative mode.

TOTAL WEIGHT: Lbs. 35,200

MAX. CAPACITY: Lbs. 35,200

Options on request: 4 wheel steering, swingaway jib extension (0° -45°); man bucket and relevant certification as aerial platform; remote control; enclosed cab; full set of road lights; non marking tires.



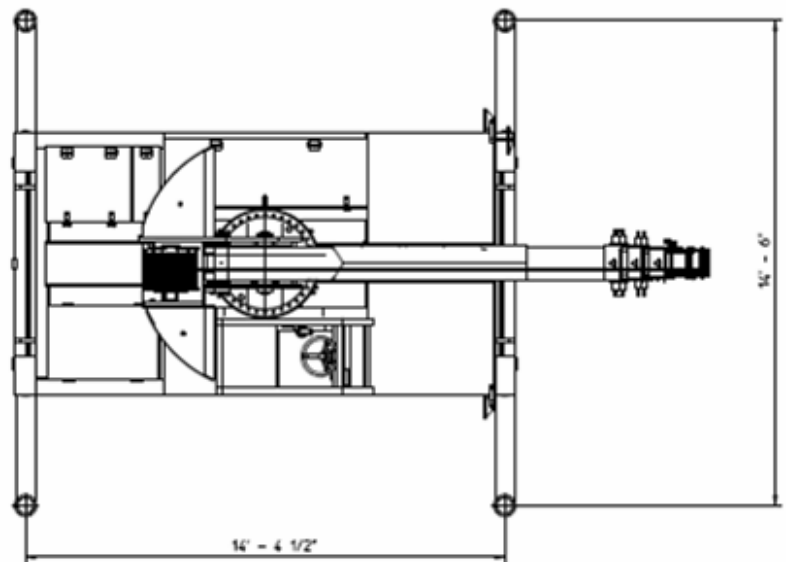
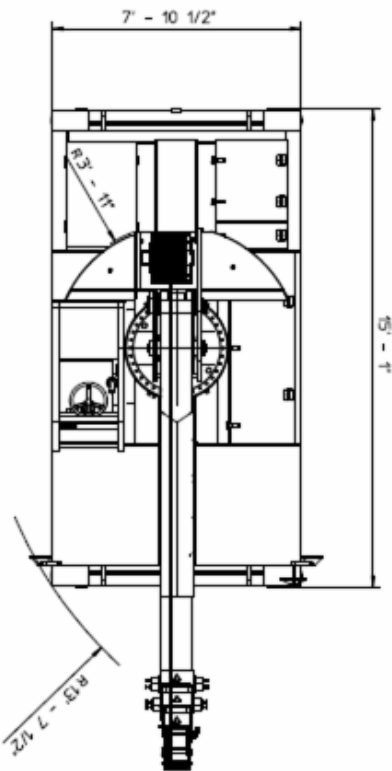
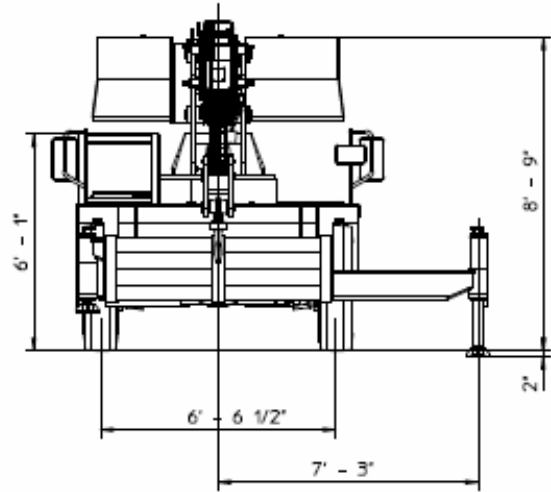
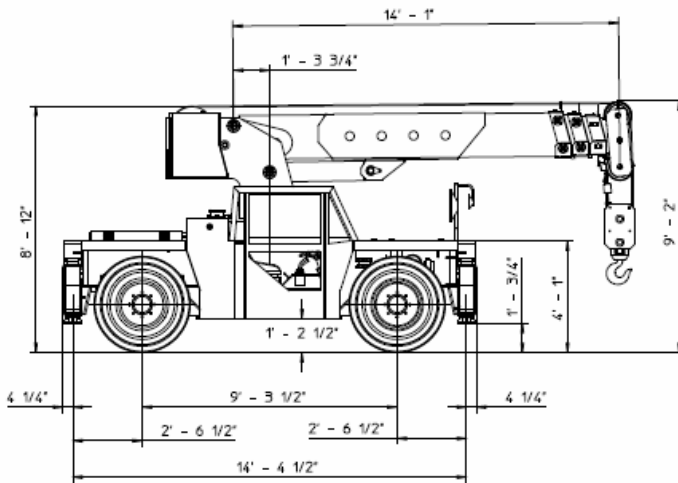
Valla

65
Valla
1945-2015

1725-36 SE



VALLA mobile crane mod. 1725-36 SE
complies with the following standards:
-2006/42/CE
-UNIEN13000
-I.S.P.E.S.L.



MANITEX
VALLA
SINCE 1945 LEADER IN PICK & CARRY

Valla a division of CVS Ferrari Srl
Via Piacenza, 45 - 29010 Calendasco (Piacenza) - ITALIA
Tel. +39 0523 762025 / 752004 - Fax +39 0523 760531
e-mail: info@valla.com - www.valla.com

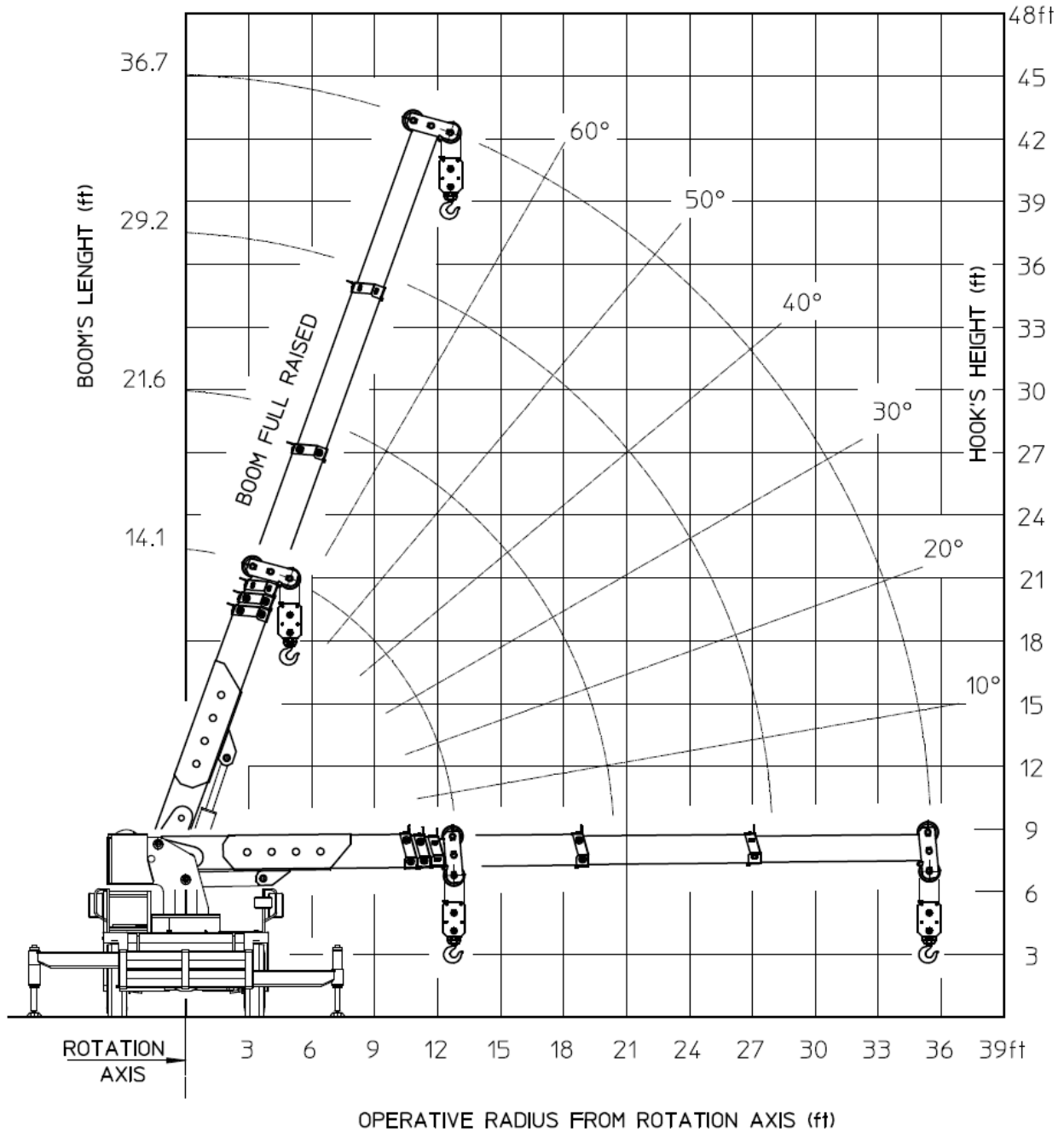
Data subject to be changed without any previous notice. Pictures may differ from technical description.



1725-36 SE



VALLA mobile crane mod. 1725-36 SE
 complies with the following standards:
 -2006/42/CE
 -UNIEN13000
 -I.S.P.E.S.L.



Lbs./ft



Valla a division of CVS Ferrari Srl
 Via Piacenza, 45 - 29010 Calendasco (Piacenza) - ITALIA
 Tel. +39 0523 762025 / 752004 - Fax +39 0523 760531
 e-mail: info@valla.com - www.valla.com

Data subject to be changed without any previous notice. Pictures may differ from technical description.

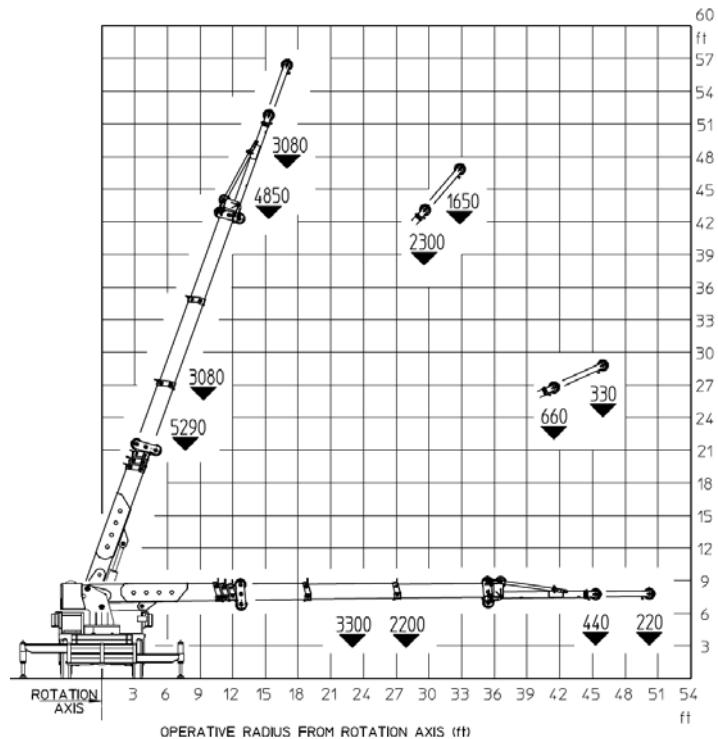
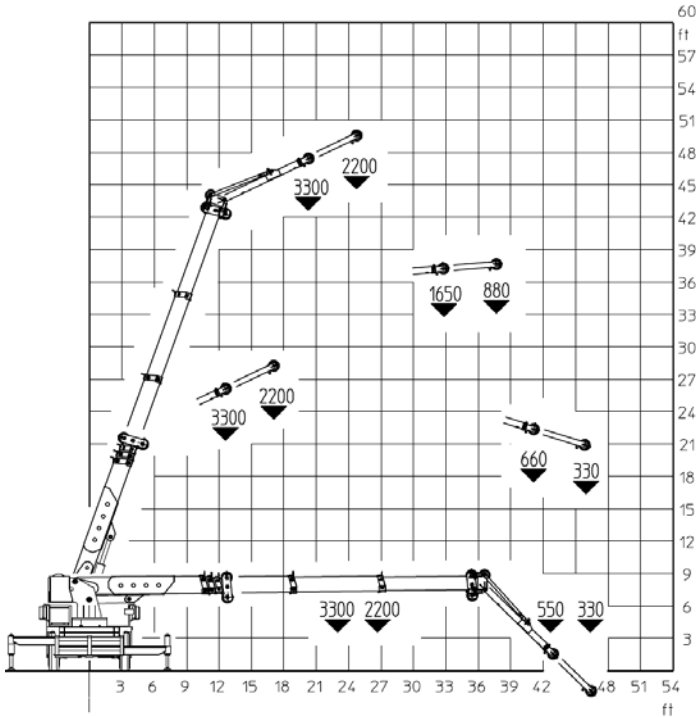
Valla



1725-36 SE



VALLA mobile crane mod. 1725-36 SE
 complies with the following standards:
 -2006/42/CE
 -UNIEN13000
 -I.S.P.E.S.L.



Lbs./ft



Valla a division of CVS Ferrari Srl
 Via Piacenza, 45 - 29010 Calendasco (Piacenza) - ITALIA
 Tel. +39 0523 762025 / 752004 - Fax +39 0523 760531
 e-mail: info@valla.com - www.valla.com

Data subject to be changed without any previous notice. Pictures may differ from technical description.



1725-36 SE



VALLA mobile crane mod. 1725-36 SE
 complies with the following standards:
 -2006/42/CE
 -UNIEN13000
 -I.S.P.E.S.L.

WORKING RADIUS (ft)	VALLA MOBILE CRANE 36SD/SD LOAD CHART (Lbs)			
	ON OUTRIGGERS	ON RUBBERS		
	360°	STATIC LOAD OVER FRONT	STATIC LOAD (360°)	PICK AND CARY LOAD UP TO 1.9 Km/h OVER FRONT
4,9	-	-	-	-
6,5	35.300	12.100	8.600	11.000
8,2	26.450	8.800	6.600	8.800
9,8	19.800	7.050	4.400	7.050
11,5	17.600	6.600	3.300	5.500
13,1	15.400	6.050	2.650	4.850
14,7	13.900	4.850	2.100	4.400
16,4	12.300	4.400	1.450	4.200
18	10.600	3.950	1.400	3.750
19,7	9.500	3.750	1.100	3.300
21,3	7.900	3.300	990	2.850
22,9	6.400	2.850	750	2.400
24,6	4.400	1.100	-	660
26,2	3.500	1.000	-	330
27,9	3.100	880	-	220
29,5	2.850	770	-	-
31,1	2.400	660	-	-
32,8	1750	550	-	-
34,4	1100	440	-	-

Data subject to be changed without any previous notice. Pictures may differ form technical description.



Valla a division of CVS Ferrari Srl
 Via Piacenza, 45 - 29010 Calendasco (Piacenza) - ITALIA
 Tel. +39 0523 762025 / 752004 - Fax +39 0523 760531
 e-mail: info@valla.com - www.valla.com