



H I G H S P E C I A L I Z E D • H I G H V A L U E • H I G H S T A N D A R D S

# ULII

PORTABLE  
PERSONNEL  
LIFTS

- WORKING HEIGHTS UP TO 16.6 METRES
- RIGID "GIRDER LOCK" TELESCOPIC ALUMINIUM MAST CONSTRUCTION
- EASY HANDS-FREE ENTRY FROM GROUND LEVEL
- COMPACT OUTRIGGER FOOTPRINT ALLOWS USE IN CONFINED LOCATIONS
- ALL UNITS WILL PASS THROUGH SINGLE PERSONNEL DOORS
- OUTRIGGER INTERLOCKS WITH INDICATOR LIGHTS
- AC OR DC POWER OPTIONS

## UpRight

**UL25**

**UL32**

**UL40**

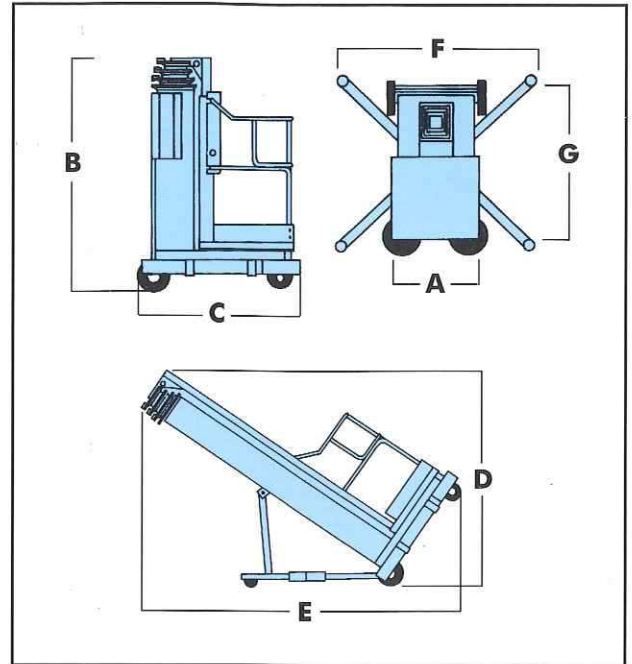
**UL48**



## SPECIFICATIONS

### OPTIONS

- Tilt back mechanism for UL25
- Narrow cage - 0.56m x 0.66m.
- Laser Locator
- Canvas bag for fluorescent tubes
- Tool tray
- Auditorium kit



### Model

	UL25	UL32	UL40	UL48
Working Height	9.6m	11.7m	14.2m	16.6m
Platform Height (max.)	7.60m	9.72m	12.15m	14.58m
Platform Capacity	159kg	136kg	136kg	113kg
Platform Size	0.66m x 0.66m	0.66m x 0.66m	0.66m x 0.66m	0.66m x 0.66m
Stored Dimensions: Width (A)	0.74m	0.74m	0.74m	0.74m
Height (B)	1.98m	2.53m	2.90m	3.35m
Length (C)	1.26m	1.32m	1.32m	1.32m
Tilted Back: Height (D)	1.90m	1.86m	2.0m	2.0m
Length (E)	2.59m	2.72m	3.05m	3.48m
Outrigger footprint (width x Length) (FxG)	1.50m x 1.43m	2.06m x 1.99m	2.34m x 2.26m	2.85m x 2.76m
Wall Access-distance from front of platform to wall	102mm	356mm	508mm	762mm
Weights: AC	349kg*	417kg	449kg	522kg
Weights: DC	367kg*	442kg	474kg	540kg
Guardrail Height	1110mm	1110mm	1110mm	1110mm
Toeboard Height	152mm	152mm	152mm	152mm
Power Source	AC electric motor, 1 hp single phase 110/220V, 50/60 Hz. or DC electric motor with one 12V battery, Grp. 27, 105 amp/hours			
Battery Charger	Automatic, 110 Volts, 60 Hz. 220 Volts, 50 Hz.			

\* Add 32kg if fitted with tilt back option

**CE** This product is available with the CE mark confirming compliance with all relevant European Machinery Directives

MANUFACTURED BY  
**UpRight**

# UpRight

Pottery Road, Dun Laoire, Ireland.  
Tel: +353 1 202 4100  
Fax: +353 1 202 4101  
Internet: <http://www.uprighteuro.com>