



UpRight AB46

boom lifts

self propelled articulated

Working heights to 16.1m (52ft. 4ins.)

Excellent working outreach of 7.5m (24ft. 6ins.) with a clearance height of up to 7.8m (25ft. 8ins.)

Electric proportional controls

Jib length of 1.5m (5ft.)

2WD or 4WD rough terrain

Ultra-tight inside turning radius of 0.6m (24ins.)

Large 1.75m x 1.0m (69ins. x 39ins.) working platform

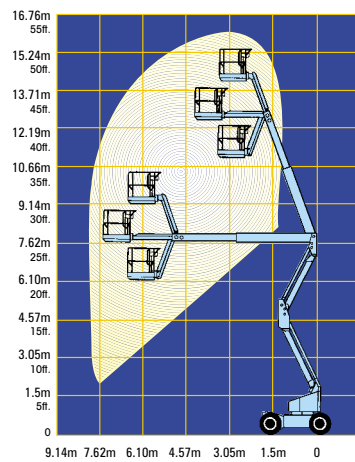
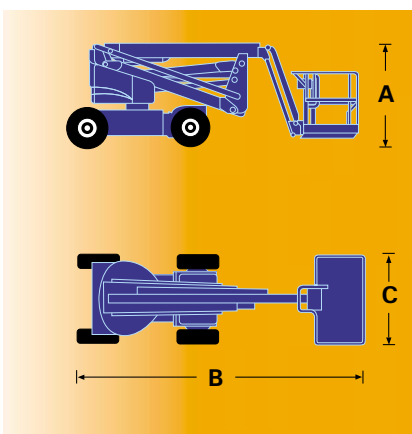
Five year structural warranty



specifications	AB46 2WD Electric	AB46 2WD Bi Energy	AB46RT 4WD Diesel
working height	16.1m. (52ft. 4ins.)*	16.1m. (52ft. 4ins.)*	16.1m. (52ft. 4ins.)*
platform height	14.1m. (46ft. 4ins.)	14.1m. (46ft. 4ins.)	14.1m. (46ft. 4ins.)
horizontal outreach	7.5m. (24ft. 6ins.)	7.5m. (24ft. 6ins.)	7.5m. (24ft. 6ins.)
jib length	1.5m. (5ft.)	1.5m. (5ft.)	1.5m. (5ft.)
jib arc	140°	140°	140°
platform size - outside	1.0m. x 1.75m. (39ins. x 69ins.)	1.0m. x 1.75m. (39ins. x 69ins.)	1.0m. x 1.75m. (39ins. x 69ins.)
platform capacity	227kg. (500lbs.)	227kg. (500lbs.)	227kg. (500lbs.)
platform rotation	140°	140°	140°
turret rotation	360° non-continuous	360° non-continuous	360° non-continuous
stowed height (A)	2.0m. (6ft. 7ins.)	2.0m. (6ft. 7ins.)	2.13m. (7ft. 2ins.)
stowed length (B)	5.43m. (17ft. 10ins.)	5.43m. (17ft. 10ins.)	5.43m. (17ft. 10ins.)
stowed width (C)	1.75m. (5ft. 9ins.)	1.75m. (5ft. 9ins.)	2.0m. (6ft. 7ins.)
inside turning radius	0.60m. (24ins.)	0.60m. (24ins.)	0.60m. (24ins.)
outside turning radius	3.0m. (9ft. 10ins.)	3.0m. (9ft. 10ins.)	3.0m. (9ft. 10ins.)
tailswing - stowed	0	0	0
drive speed - boom stowed	5.64km/h. (3.5mph)	5.64km/h. (3.5mph)	8.5km/h. (5.3mph)
drive speed - boom elevated	0.8km/h. (0.5mph)	0.8km/h. (0.5mph)	0.64km/h. (0.4mph)
gradeability	17° (30%)	17° (30%)	22° (40%)
energy source	8 6V 350 Ah batteries	8 6V 350 Ah batteries/Kubota ZB600	Kubota V1505
tyres	poly-filled	poly-filled	poly-filled
ground clearance	152mm. (6ins.)	152mm. (6ins.)	0.33m. (13ins.)
toeboards	152mm. (6ins.)	152mm. (6ins.)	152mm. (6ins.)
guardrail height	1.14m. (45ins)	1.14m. (45ins)	1.14m. (45ins)
gross weight	6,486kg. (14,300lbs.)	6,575kg. (14,500lbs.)	6,650kg. (14,660lbs.)
cycle time to full height	66 secs.	66 secs.	66 secs.

*Metric working height is 2m above platform height. Working height in the U.S. is 6 ft. above platform height.

Specifications subject to change without notice. Photos and diagrams in this brochure are for promotional purposes only. Refer to appropriate UpRight Operators manual for detailed instructions on the proper use and maintenance of this equipment.



standard features

Multi-function, variable speed platform controls

Oscillating front axle (4WD model only)

Proportional controls

Power to platform

Hour meter

Battery charge indicator (electric only)

Wide rough terrain tyres (4WD models only)

1 year parts/service

5 year structural warranty

options

Motion alarm

Flashing amber beacon

Diesel scrubber (Diesel models only)

Air-filled tyres

Special paint colours

Environmental green oil

Meets or exceeds applicable requirements of OSHA and ANSI A92.6 - 1999.



This product is available with the CE mark confirming compliance with all relevant European Machinery Directives

manufactured by

UpRight

UpRight

GLOBAL PROVIDER OF ACCESS SOLUTIONS

www.upright.com

e-mail: marketing@upright.com

MANUFACTURING

North America
Tel +1 (559) 662 3900
Fax +1 (559) 673 6184

Europe
Tel + 353 1 620 9300
Fax + 353 1 620 9301

SALES

USA / The Americas
Tel +1 (559) 662 3900
Fax +1 (559) 673 6184

Europe/Africa/M. East
Tel + 44 (0) 1952 685 200
Fax + 44 (0) 1952 685 255

France
Tel + 33 130 37 05 44
Fax + 33 130 37 63 68

Germany
Tel + 49 211 1674316
Fax + 49 211 1674317

Singapore
Tel + 65 6324 1322
Fax + 65 6225 5157

Australia
Tel + 61 2 9748 6200
Fax + 61 2 9748 6255

P. R. China
Tel + 86 21 63390190
Fax + 86 21 63390191

Japan
Tel + 81 3 5765 6841
Fax + 81 3 5765 6840