

# **ROUGH TERRAIN CRANE 35 T CAPACITY**



**WORKS FOR YOU.™**

# POWER IS IN YOUR HANDS

## HIGH VERSATILITY

- 35 t lifting capacity
- 30,1 m max boom length with proportional extension mode
- 32,8 m max tip height main boom
- Additional lattice jib of 8 m
- 41,1 m max tip height with jib

## FULL CONTROL. New TEOS Operating System

- 10" full-color touch screen display with intuitive interface
- Ergonomic electro-proportional joysticks with adjustable responsiveness to operator preferences

## TOP CLASS EQUIPMENT

- T-Link Telematics included
- 3 working area LED lights outside the cab included

## GREAT COMFORT, EXCELLENT VISIBILITY

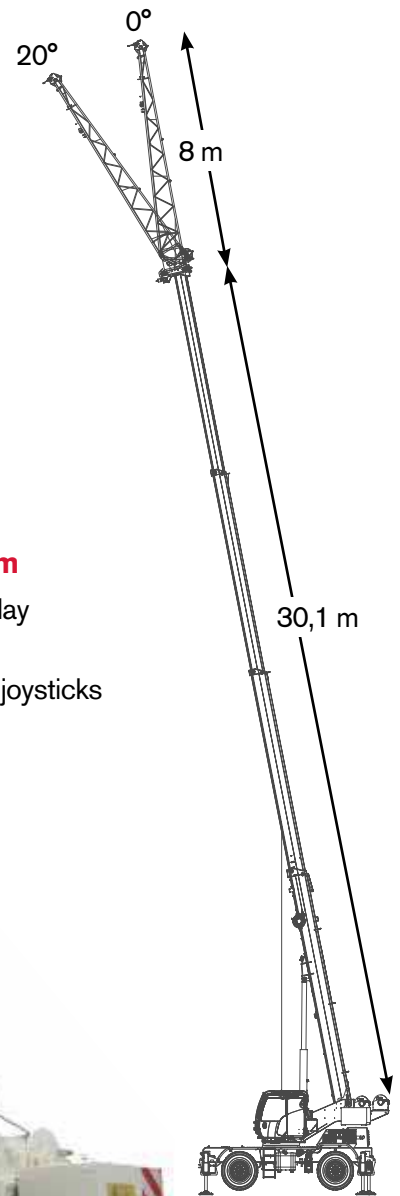
- Extra wide and tiltable cabin with large glass surface. No blind spots.
- Integrated heating and air conditioning system

## EASY TO HANDLE

- Easy to transport and maneuver
- Only 2,5 m width
- Four steering modes
- Automatic / manual shift modes

## WIDE RANGE OF OPTIONS

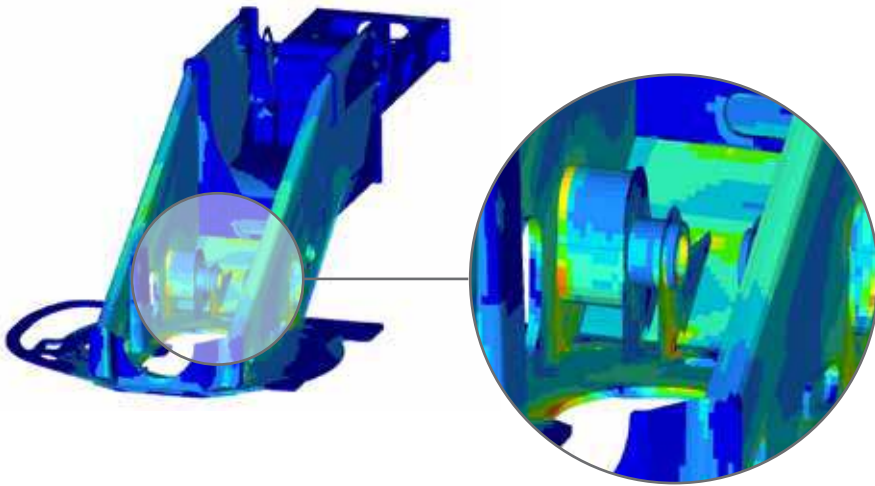
- Additional lattice jib of 8 m and single sheave
- Auxiliary winch
- Up to 4 cameras for enhanced visibility, integrated on main display
- Radio remote control



**WORKS FOR YOU.™**

Courtesy of CraneMarket.com

# THE STRONGEST STRUCTURE DESIGNED FOR HEAVY LIFTS



## The strongest crane structure

Full crane structural and component FEM\* analyses have been developed to deliver the best structural design, capable of delivering reliable performance, even in the most demanding applications.

\*FEM: Finite Element Method

## Hydraulic boom

The 4-sections hydraulic boom features one cylinder with double extension. The boom extension occurs in proportional mode between the sections.



Proportional boom extension

## 4 steering modes

For superior maneuverability around the jobsite, the crane offers 4 different steering modes.



2 wheel-front



2 wheel-rear



4 wheel-coordinated



4 wheel-crab

# HIGH POWER, LOW FUEL CONSUMPTION WITH IMPROVED ENGINE DESIGN

## Cummins QSB4.5 Tier 4 Final/Stage V engine

The Cummins QSB4.5 Tier 4 Final/Stage V 4-cylinder engine delivers high-performance speed and hoisting capabilities. Alternative: Cummins QSB4.5 Tier IIIA/Stage V 4-cylinder engine.

Two shift modes available: automatic or manual.

Permanent 4 wheel drive.

## EcoMode: reduce fuel consumption

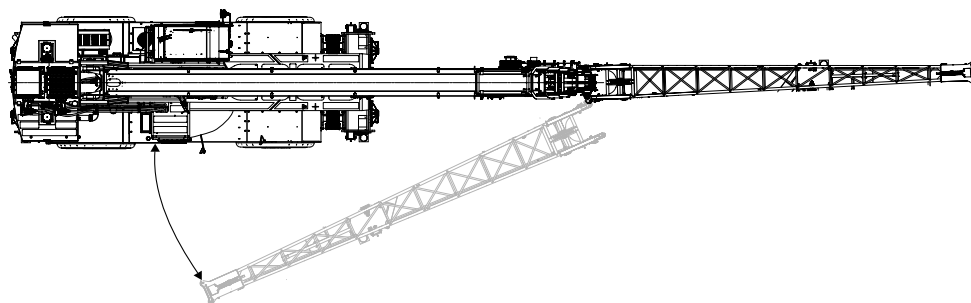
EcoMode employs automatic engine throttle to optimize power during crane operation and stand-by to lower fuel consumption.

**WORKS FOR YOU.™**

Courtesy of CraneMarket.com

## OPTIONAL 8 M JIB.

The TRT 35 features an optional 8 m lattice jib, stowed on the crane's side and easily attached to the main boom.



## T-LINK TELEMATICS PLATFORM

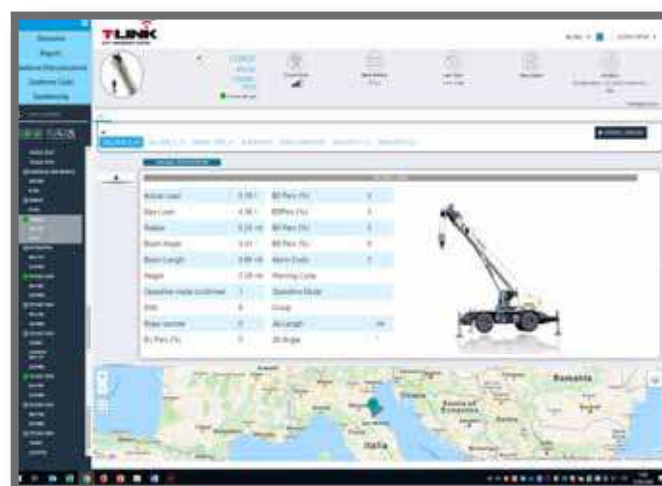
The T-Link Telematics Platform, included on base unit, allows remote access of crane fleet operating data anytime, anywhere via the internet from your computer, smartphone or tablet.

▶ **Cost savings and increased of productivity**  
Thanks to T-Link, cost savings and increased productivity can be achieved in all applications.

▶ **Better management of maintenance and technical assistance**  
Remote monitoring delivers critical vehicle operating data and statistics. Routine maintenance can be scheduled more efficiently and unexpected issues are quickly addressed.

▶ **Fleet control**  
Using the **Geofence** function, each crane's position is monitored, and the owner is notified in the event the crane leaves its set boundary.

▶ **Improved machine management, statistics and real-time data**  
A wide range of **real-time operating data** and **fault-codes** are reported to assess fleet performance.  
The machine's **Data logger** section collects detailed machine information, such as working hours, load lifting statistics, alarm history, etc.



**WORKS FOR YOU.**<sup>TM</sup>

Courtesy of CraneMarket.com



# TEOS NEW TEOS OPERATING SYSTEM



The new **Terex Operating System TEOS** offers improved information flow and accessibility to increase operating efficiency.

▶ **10" full-color touch screen display**

The new user interface with wide 10" full-color touch screen display features self-explanatory and intuitive icons.

▶ **Intuitive navigation**

Based on extensive customer feedback, information access is quick and easy. The primary and most frequently used functions are immediately accessible, and intuitive controls ensure a short learning curve for new crane operators.

▶ **Diagnostics**

Error messages and warnings are within easy view for enhanced safety. A dedicated menu for diagnostics gives immediate feedback on crane, main component and sensor operating status.

▶ **Options included**

Optional cameras are incorporated in the main display: the operator has full control of the crane from all points of view via a single display. Status of the radio remote control and T-Link platform options can also be seen on the main display.



**Customizable electro-proportional joysticks**

As desired, the operator can customize the buttons and fine-tune the responsiveness of all crane movements – smoother or prompt reaction – to meet personal preferences. Multiple personal configurations can be saved.

**WORKS FOR YOU.™**

*Courtesy of CraneMarket.com*

## TEREX CRANES

### Rough Terrain Cranes

Via Cassoletta, 76 - Fraz. Crespellano  
40053 Valsamoggia (BO)  
Italy

Ph: +39 051 6501011

Email: [mktg.cranes@terex.com](mailto:mktg.cranes@terex.com)

### Tower Cranes

Via delle Innovazioni, 17  
33074 Fontanafredda (PN)  
Italy

Ph: +39 0434 989111

Email: [mktg.cranes@terex.com](mailto:mktg.cranes@terex.com)



[www.terex.com/cranes](http://www.terex.com/cranes)



Brochure Reference: RT-BR-M-E-TRT 35-09/21

**WORKS FOR YOU.™**

*Courtesy of CraneMarket.com*