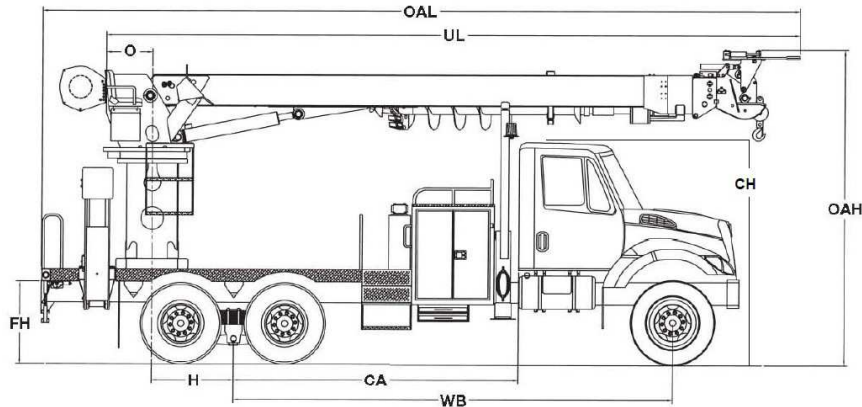


DIGGER DERRICK

Terex® Telelect Digger Derricks are known throughout the industry. They come with a long history featuring quality and innovative design.

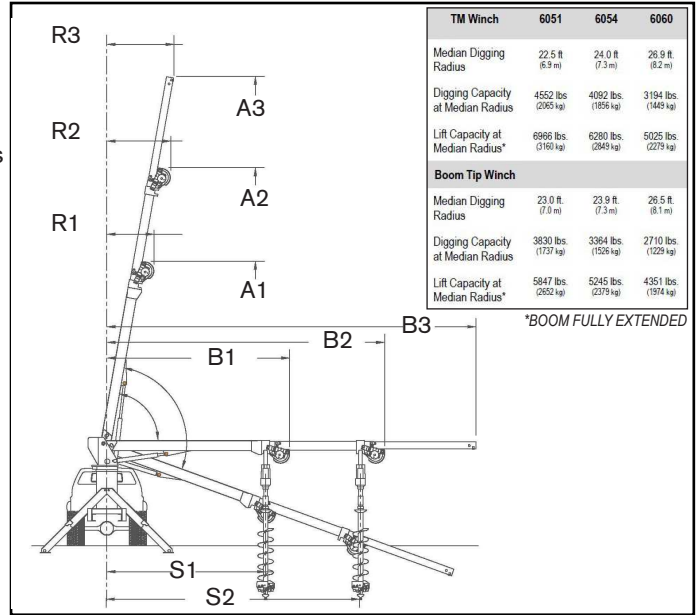


| Measurements | Commander 6054 | Commander 6060 |
|------------------------------------|-------------------------|-------------------------|
| (Minimum Recommendations) | ORA | ORA |
| Typical Frame Height (FH) | 40 in. (101.6 cm) | 40 in. (101.6 cm) |
| Typical Cab Height (CH) | 112 in. (284.5 cm) | 112 in. (284.5 cm) |
| Offset (O) | 44.62 in. (113.3 cm) | 44.62 in. (113.3 cm) |
| Overall Height (OAH) | 12' 8" (3.9 m) | 12' 8" (3.9 m) |
| Overall Length (OAL) | 28' 7" (8.7 m) | 30' 7" (9.3 m) |
| Unit Length (UL) | 26' 0" (7.9 m) | 28' 0" (8.5 m) |
| Center of Rotation (H) | 39.5 in. (100.3 cm) | 39.5 in. (100.3 cm) |
| Cab to Axle (CA) | 120 in. (304.8 cm) | 138 in. (350.5 cm) |
| Wheel Base (WB) | 192 in. (487.7 cm) | 210 in. (533 cm) |
| Front Axle (FA) | 12,000 lb. (5,443 kg) | 12,000 lb. (5,443 kg) |
| Rear Axle (RA) | 34,000 lbs. (15,422 kg) | 34,000 lbs. (15,422 kg) |
| Gross Vehicle Weight Rating (GVWR) | 46,000 lbs. (20,865 kg) | 46,000 lbs. (20,865 kg) |
| Recommended Weight for Stability | 35,000 lbs. (15,876 kg) | 35,000 lbs. (15,876 kg) |
| Frame Section Modulus | 18.0 in ³ | 18.0 in ³ |
| Frame Yield Strength | 50,000 psi | 50,000 psi |
| Frame RBM | 900,000 in-lbs | 900,000 in-lbs |

COMMANDER 6000 SERIES

STANDARD EQUIPMENT

- 100 Degrees of Boom Travel (+80 to -20)
- Dual Lift Cylinders
- Self-Aligning Swivel Ball Bushings
- Rectangular, Bi-Axial Epoxy Resin, Filament Wound Fiberglass Booms
- Box Fabricated Steel Lower Boom and Intermediate
- Hydraulic Boom Extension Intermediate & Upper
- Full Pressure Hydraulic Controls
- Full Pressure, Open-Center Hydraulic System
- 50 Gallon Hydraulic Oil Reservoir
- Custom Made Zoned Load Chart
- Continuous Unrestricted Rotation
- 15,000 lb. Turntable Winch
- Meets or Exceeds ANSI A10.31
- Transferable Pole Flanges
- Planetary Slip Brake Rotation
- Dual Handle Rack Controls
- Load Moment Limiter
- Boom Angle Indicator
- Outrigger Interlock
- Moving Outrigger Alarm
- Truck Level Indicator



CAPACITIES & DIMENSIONAL DATA (Based on a 40 inch Frame Height)

| Model | Maximum Capacity | Capacity @ 10 ft. Radius | Sheave Height | | | Load Radius | | | Horizontal Reach | | | Digging Radius | |
|------------------|--------------------------|--------------------------|---------------------|---------------------|---------------------|-------------------|-------------------|-------------------|--------------------|---------------------|---------------------|--------------------|---------------------|
| | | | A1 | A2 | A3 | R1 | R2 | R3 | B1 | B2 | B3 | S1 | S2 |
| CMDR 6054 | 42,570 lb (19,309 kg) | 18,500 lb (8,391 kg) | 32.4 ft (9.9 m) | 43.2 ft (13.2 m) | 54.1 ft (16.5 m) | 3.7 ft (1.1 m) | 5.6 ft (1.7 m) | 7.6 ft (2.3 m) | 22.3 ft (8.8 m) | 33.3 ft (10.0 m) | 44.3 ft (13.5 m) | 19.3 ft (5.9 m) | 30.3 ft (7.5 m) |
| CMDR 6060 | 30,000 lb (13,608 kg) | 15,350 lb (6,963 kg) | 34.4 ft (10.5 m) | 47.2 ft (14.4 m) | 60.0 ft (18.3 m) | 4.0 ft (1.2 m) | 6.3 ft (1.9 m) | 8.6 ft (2.6 m) | 24.3 ft (7.4 m) | 37.3 ft (11.4 m) | 50.3 ft (15.3 m) | 21.3 ft (6.5 m) | 34.3 ft (10.5 m) |

OPTIONAL EQUIPMENT

- Various Digger / Augers
 - Auger Storage Left Side (Typical)
 - Auger Storage Right Side (Subject to Configuration)
- Fiberglass Personnel Platform
 - Liners with or Without Steps
 - Full Pressure Upper Controls
- Various Types of Controls
 - Command Post Operator Controls
 - Radio Remote Controls
 - Single Stick "T" Controls
- Engine Stop/Start and Throttle Advance at Top Controls
- Engine Stop/Start at Lower Controls
- Various Types of Throttle Advance at Lower Controls
- Material Handling Jibs
- Transferable Pole Flanges
- Various Sizes of Pole Guides
- Pole Guide Interlock
- Hydraulic Tool Outlets
- Pole Puller
- Multi-Part line Components
- Boom Storage Warning Light
- Outrigger Sag Light
- Various Types of Outriggers
- Truck Grounding Cable & Clamp

Effective Date: July 2020 Product specifications and prices are subject to change without notice or obligation. The photographs and/or drawings in this document are for illustrative purposes only. Refer to the appropriate Operator's Manual for instructions on the proper use of this equipment. Failure to follow the appropriate Operator's manual when using our equipment or to otherwise act irresponsibly may result in serious injury or death. The only warranty applicable to our equipment is the standard written warranty applicable to the particular product and sale and Terex makes no other warranty, express or implied. Products and services listed may be trademarks, service marks or trade-names of Terex Corporation and/or its subsidiaries in the USA and other countries. All rights are reserved. Terex® is a registered trademark of Terex Corporation in the USA and many other countries. Copyright 2020 Terex Corporation.