



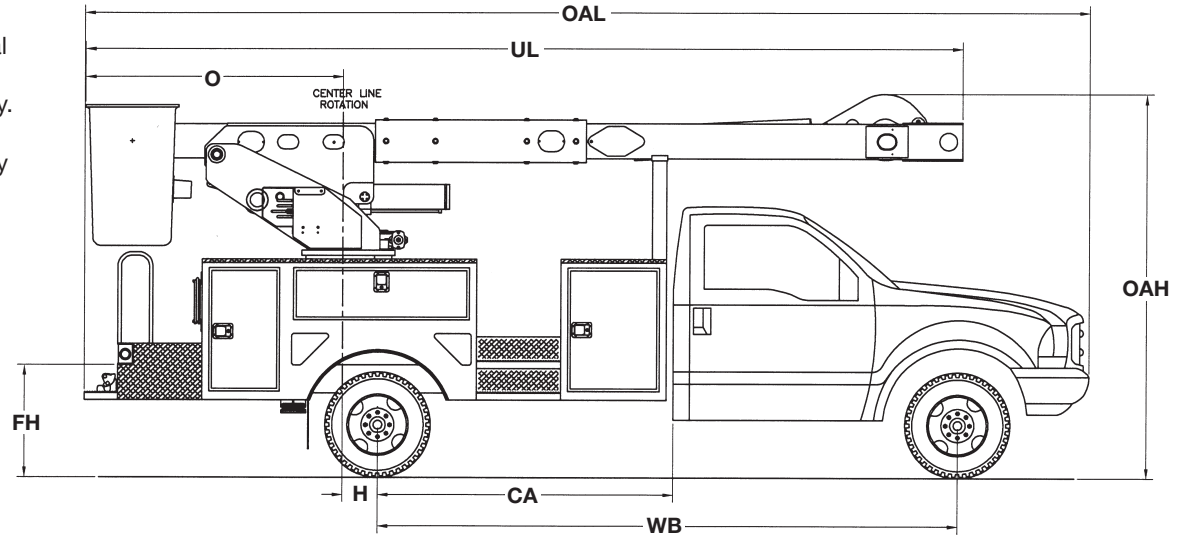
# TEREX®

## Utilities

# SC SERIES Hi-Ranger Telescopic Articulating Aerial Device

### AERIAL DEVICES

Terex® Hi-Ranger Aerial Devices are known throughout the industry. They come with a long history featuring quality and innovative design.



Measurements	SC42	SC45
	ORA	ORA
Frame Height (FH)	34 in. (86.4 cm)	40 in. (101.6 cm)
Offset (O)	73 in. (185.4 cm)	73 in. (185.4 cm)
Overall Height (OAH)	9' 1" (2.8 m)	9' 11" (3.0 m)
Overall Length (OAL)	21' 11" (6.7 m)	24' 3" (7.4 m)
Unit Length (UL)	20' 10" (7.0 m)	22' 4" (6.8 m)
Center of Rotation (H)	-10 in. (-25.4 cm)	42.5 in. (108 cm)
Cab to Axle (CA)	84 in. (213.4 cm)	102 in. (259.1 cm)
Wheel Base (WB)	165 in. (419.1 cm)	176 in. (447.0 cm)
Front Axle (GAWR)	6,000 lb. (2,722 kg)	8,000 lb. (3,629 kg)
Rear Axle (GAWR)	13,500 lb. (6,124 kg)	15,000 lb. (6,804 kg)
Gross Vehicle Weight Rating (GVWR)	19,000 lb. (8,618 kg)	23,000 lb. (10,433 kg)
Recommended Weight For Stability	14,500 lb. (6,577 kg)	16,500 lb. (7,484 kg)
Frame Section Modulus	18.1 in <sup>3</sup>	18.1 in <sup>3</sup>
Frame Yield Strength	36,000 psi	36,000 psi
Frame RBM	648,000 in-lbs	648,000 in-lbs



## TEREX® Utilities

500 Oakwood Drive  
PO BOX 1150  
Watertown, SD 57201-6150  
USA

Phone: (605) 882-4000  
Facsimile: (605) 882-1842  
www.terexutilities.com  
E-mail: sales@terexutilities.com

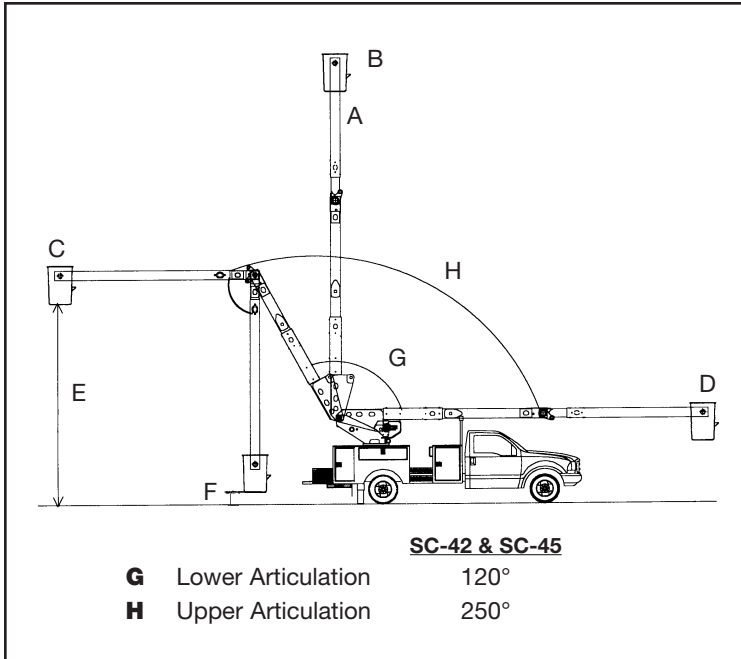
**Distributed By:**

# SC SERIES

## Hi-Ranger Telescopic Articulating Aerial Device

### STANDARD EQUIPMENT

- 24 x 24 x 40 in. One-Person Side Mounted Platform
- Platform Capacity Of 400 lbs.
- Safety Harness With Attached Lanyard
- Continuous Unrestricted Rotation
- Control-Plus "3-D" Single Stick
- Category "C" Rating Per ANSI A92.2
- Two Speed Throttle Control At Upper Controls
- Full Pressure, Open Center Hydraulic System
- Positive Platform Leveling System
- 35 Gallon Hydraulic Oil Reservoir
- Padded Upper Boom Rest With Cam Lever Tie Down
- Lower Boom Rest
- Boom Interlock
- Moving Outrigger Alarm



### CAPACITIES & DIMENSIONAL DATA

Numbers are based on a 36 inch frame

	A	B	C	D	E	F
	Bottom of Platform	Working Height	Side Reach	Side Reach Overcenter	Bottom of Platform to Ground Level	Bottom of Platform to Ground
SC-42	42.0 ft (12.8 m)	47.0 ft (14.3 m)	32.1 ft (9.6 m)	34.8 ft (10.6 m)	20.7 ft (6.3 m)	16 in. (41 cm)
SC-45	45.0 ft (13.7 m)	50.0 ft (15.2 m)	34.3 ft (10.5 m)	37.8 ft (11.5 m)	21.9 ft (6.7 m)	14 in. (36 cm)

### OPTIONAL EQUIPMENT

- Auxiliary Power Or Auxiliary Let Down
- Demand Throttle System
- Single Or Dual Hydraulic Tool Outlet(s) at Platform
- Hydraulic Tool Outlet Below Rotation
- Engine Stop/Start At Platform
- Category "B" Rating Per ANSI A92.2
- Platform Covers And Liners
- Padded or Spring Loaded Platform Rest
- Various Types Of Outriggers
- Boom/Boom Stow Interlock
- Boom Overstow Protection
- Manual Or Hydraulic Platform Tilt
- Truck Grounding Cable And Clamp

Effective Date: March 1, 2007. Product specifications and prices are subject to change without notice or obligation. The photographs and/or drawings in this document are for illustrative purposes only. Refer to the appropriate Operator's Manual for instructions on the proper use of this equipment. Failure to follow the appropriate Operator's Manual when using our equipment or to otherwise act irresponsibly may result in serious injury or death. The only warranty applicable to our equipment is the standard written warranty applicable to the particular product and sale and Terex makes no other warranty, express or implied. Products and services listed may be trademarks, service marks or trade-names of Terex Corporation and/or its subsidiaries in the USA and other countries and all rights are reserved. "Terex" is a registered trademark of Terex Corporation in the USA and many other countries. Copyright 2007 Terex Corporation.