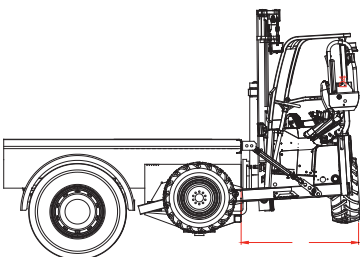
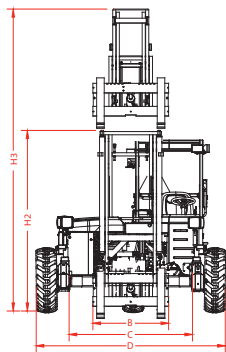
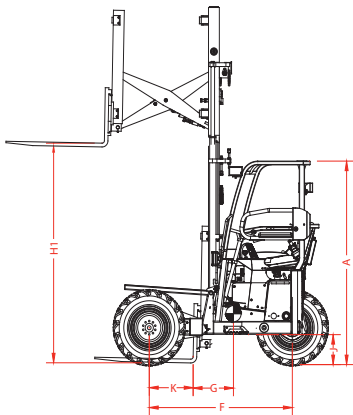


Technical Specifications

Princeton PB45 STM



Princeton PB45 STM Technical Specifications



| | Model | PB45 STM - Low Profile | PB45 STM |
|-----|--------------------------------------|-------------------------|---------------------------|
| | TYPE | STM | STM |
| 1 | CAPACITY @ 24" LOAD CENTER | 4500 lbs | 4500 lbs |
| 2 | DIESEL ENGINE | 25 HP | 25 HP |
| 3 | ENGINE EMISSION COMPLIANCE | EPA Tier4 Final | EPA Tier4 Final |
| 4 | MAXIMUM RPM | 3000 RPM | 3000 RPM |
| 5 | ELECTRICAL SYSTEM | 12 Volt | 12 Volt |
| 6 | DRIVE WHEELS | 3 | 3 |
| 7 | STEERING | Hydrostatic | Hydrostatic |
| 8 | TIRE TYPE | 26 x 12 - 12 8-Ply (TG) | 29 x 12.5 - 15 8-Ply (TG) |
| | | 26 x 12 - 12 8-Ply (TG) | 29 x 12.5 - 15 8-Ply (TG) |
| 9 | TIRE OUTSIDE DIAMETER | 26" | 29" |
| 10 | TIRE WIDTH | 12" | 12.5" |
| 11 | MAXIMUM SPEED | 7 mph | 7.5 mph |
| 12 | MAXIMUM GRADABILITY | 30% | 30% |
| 13 | TURNING RADIUS | 77" | 77" |
| 14 | UNLADEN WEIGHT | 4290 lbs | 4420 lbs |
| 14a | UNLADEN WEIGHT (OPTIONAL) | N/A | 4520 lbs |
| 15 | WORKING PRESSURE (ATTACHMENTS) | 2500 psi | 2500 psi |
| 16 | TILT OF MAST (FORWARD/BACKWARD) | 8° / 7° | 8° / 7° |
| 17 | SIDESHIFT | 5.5" | 5.5" |
| 18 | FORK SECTION | 48 x 4 x 1.75" | 48 x 4 x 1.75" |
| 19 | REACH (STM) | 39.25" | 39.25" |
| A | HEIGHT TO TOP OF CANOPY | 82.5" | 84" |
| B | FORK CARRIAGE WIDTH (CLASS) | 47.25" (III) | 47.25" (III) |
| C | FRAME OPENING | 63.5" | 63.5" |
| D | OVERALL WIDTH | 97.25" | 96.5" |
| E | OVERHANG | 52.5" | 52.5" |
| F | WHEELBASE | 63.75" | 63.75" |
| G | CENTER OF GRAVITY (FROM FORK FACE) | 14.5" | 14.5" |
| H1 | LIFT HEIGHT | 86.5" | 120" |
| H2 | MAST HEIGHT - COLLAPSED | 80" | 96.5" |
| H3 | MAST HEIGHT - RAISED | 144" | 178" |
| H1a | LIFT HEIGHT | N/A | 144" |
| H2a | MAST HEIGHT - COLLAPSED | N/A | 107" |
| H3a | MAST HEIGHT - RAISED | N/A | 202" |
| J | GROUND CLEARANCE | 10" | 11.5" |
| K | FACE OF FORK TO CENTER OF FRONT TIRE | 19" | 19" |
| L | ANSI STANDARD | B56.6 | B56.6 |

The above specifications are not binding upon the manufacturer and may be changed without prior notice.

Weights may vary, depending on tire and/or fork options

For more information, contact your local PiggyBack Dealer



Princeton Delivery Systems
 12233 Williams Road
 Perrysburg, OH 43551 USA
 tel 1.800.331.5851
www.piggy-back.com

A Part of the Hiab Group
 V2017.10.20