



IOWA MOLD TOOLING CO., INC.

P.O. Box 189
Garner, IA 50438
Tel: 641.923.3711
Fax: 641.923.2424
www.imt.com

Manual # 99906467

Series III Telescopic Crane 7500 & 10000 30' Parts & Specifications

Revised 10-11-2021

© 2021 Iowa Mold Tooling Co., Inc.
All rights reserved

No part of this publication may be reproduced, stored in a retrieval system, or transmitted in any form or by any means, electronic, mechanical, photocopying, recording or otherwise without the prior written permission of Iowa Mold Tooling Co., Inc.

Iowa Mold Tooling Co., Inc. is an Oshkosh Corporation Company


 WARNING
Operating, servicing and maintaining this vehicle or equipment can expose you to chemicals including engine exhaust, carbon monoxide, phthalates, and lead, which are known to the State of California to cause cancer and birth defects or other reproductive harm. To minimize exposure, avoid breathing exhaust, do not idle the engine except as necessary, service your vehicle or equipment in a well-ventilated area and wear gloves or wash your hands frequently when servicing. For more information go to www.P65Warnings.ca.gov .
70490167

Table of Contents

Introduction	1
Equipment Safety.....	2
Specifications	5
7500 / 10000 - 30' Specifications.....	6
Dimension Sketch.....	8
7500 30 Ft - Load Capacity Chart.....	10
10000 30 Ft - Crane Capacity Chart.....	11
Crane References	13
Greasing Instructions.....	14
Greasing Locations.....	15
Crane Recommended Spare Parts List.....	16
Installation Introduction.....	18
Crane Installation Kit, DOM I (99905066).....	19
Crane Installation Kit, DOM II & III (99905067).....	22
Harness, Non IMT Body (77441476).....	25
Chassis Wiring Harness (77441476 / 99905212).....	26
Telescopic Crane Orientation.....	27
Crane Controls.....	27
Parts	29
Parts Information.....	30
7500, Base & Mast Assembly, Test Stand (99904922).....	32
7500, Base & Mast Assembly, Truck Mount (99904922).....	33
7500, Boom Assembly (99904922).....	34
7500, Valve Bank - Fully Proportional (99904922).....	35
7500, Valve Bank Assembly - Single Proportional (99904922).....	36
7500, Winch & A2B Assembly (99904922).....	37
7500, Crane & Winch Assembly (99904922).....	38
7500, Flip Sheave Assembly (99904922).....	39
7500, Base & Mast Assembly, Test Stand (99904922).....	44
7500, Base & Mast Assembly, Truck Mount (99904922).....	46
7500, Boom Assembly (99904922).....	48
7500, Valve Bank - Fully Proportional (99904922).....	50
7500, Valve Bank Assembly - Single Proportional (99904922).....	52
7500, Winch & A2B Assembly (99904922).....	54
7500, Crane & Winch Assembly (99904922).....	56
7500, Flip Sheave Assembly (99904922).....	58
10000, Base & Mast Assembly, Test Stand (99904925).....	64
10000, Base & Mast Assembly, Truck Mount (99904925).....	65
10000, Boom Assembly (99904925).....	66
10000, Valve Bank Assembly - Fully Proportional (99904925).....	67
10000, Valve Bank Assembly - Single Proportional (99904925).....	68
10000, Winch & A2B Assembly (99904925).....	69
10000, Crane & Winch Assembly (99904925).....	70
10000, Flip Sheave Assembly (99904925).....	71
10000, Base & Mast Assembly, Truck Mount (99904925).....	76
10000, Base & Mast Assembly, Test Stand (99904925).....	78
10000, Boom Assembly (99904925).....	80
10000, Valve Bank Assembly - Fully Proportional (99904925).....	82
10000, Valve Bank Assembly - Single Proportional (99904925).....	84

10000, Winch & A2B Assembly (99904925)	86
10000, Crane & Winch Assembly (99904925)	88
10000, Flip Sheave Assembly (99904925)	90
Gear Rotator (71056577)	96
7500-30' Gear Rotator (71056577)	98
10000-30' Lower Cylinder (51722956)	100
7500-30' Lower Cylinder (51722975)	102
7500-30' Lower Cylinder (51722975)	104
Extension Cylinder Assembly (51723604)	107
Cylinder (51723931)	109
Cylinder (51723927)	111
Winch, Planetary (70570761)	114
Winch, Planetary (71570968)	116
Winch Oil Specifications	118
Valve Bank - Single Proportional (73734472)	120
Valve Bank - Fully Proportional (73734727)	122
Connection Block Seal Kit for 73734727 (94399213)	124
Seal Kit for 73734727 (94399214)	126
HYD BG4-BG6 SIII FP (99906028)	128
HYD BG4-BG6 SIII FP (99906028)	129
HYD BG4-BG6 SIII FP (99906028)	130
HYD BG4-BG6 SIII FP (99906028)	132
HYD BG4-BG6 SIII FP (99906028)	133
Hydraulic Schematic Fully Proportional (99905018)	135
Hydraulic Schematic Fully Proportional (99905018)	139
Hydraulic Schematic Single Proportional (99905596)	143
Hydraulic Schematic Single Proportional (99905596)	147

Electrical & Lighting

151

LED Boom Tip Light Kit (99905289)	152
Harness-Boom Tip LED Flood Light (77441473)	154
Harness-Boom Tip LED Flood Light (77441473) - continued	155
Radio Remote Harness, Fully Proportional (77441481)	156
Radio Remote Harness, Fully Proportional (77441481-1)	157
Radio Remote Harness, Single Proportional (77441537)	158
Radio Remote Harness, Single Proportional (77441537-1)	159
10000 30' Harnesses (51726346 & 51726347)	160

General Information

161

Decal Placement - 7500 - 10000 30' (99905087)	162
Option - Winch Roller (99905054)	164
Thread Torque Charts - Imperial	166
Thread Torque Charts - Metric	167
Turntable Bearing Thread Tightening Sequence	168

Section - 1 **Introduction**

Equipment Safety

PERSONNEL REQUIREMENTS

Certain inherent risks are associated with heavy equipment. Personnel working in the area of these vehicles are subject to certain hazards that cannot be guarded against by mechanical means, but only by the exercise of intelligence, care, and common sense. It is therefore essential for the owner of this equipment to have personnel involved in the use and operation of these vehicles who are competent, careful, physically and mentally qualified, and trained in the safe operation of this equipment.

TRAINING

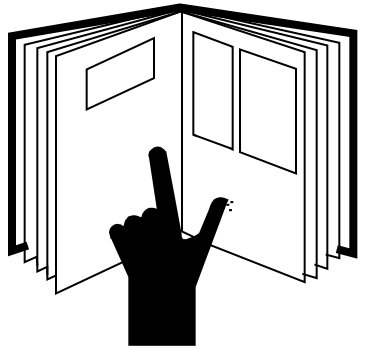
Prior to using any of the equipment installed on or incorporated in the IMT Crane Body Mechanics Truck, you must:

- Have already been fully trained to operate the vehicle and equipment.
- Have demonstrated the effectiveness of your training and the extent of your knowledge.

BEFORE operating this vehicle and any associated equipment, you, the operator or maintainer, must read, understand, and follow the instructions found in the operator and maintenance manuals from the manufacturers of major components used on this vehicle or equipment

Proper tools and service equipment must be used taking appropriate precautions as required by accepted safety practices to prevent personal injury and / or equipment damage

If you are uncertain about the safe operation of any aspect of this vehicle or equipment, stop immediately and seek further training.

⚠ WARNING	
	<ul style="list-style-type: none">• Only trained personnel should operate this equipment.• Do not operate or service until you have read and understood the operation and service manual supplied with this equipment.• Manuals can be obtained from manufacturer's website or by contacting customer service.• Operating this equipment without knowledge or training may lead to injury or death for you or others.



www.imt.com/service-manuals

INTRODUCTION

This volume includes specifications, installation information, and spare parts drawings applicable to your particular crane. For operating, maintenance and repair instructions, see the *Telescopic Crane Operation, Maintenance and Repair Manual* (IMT part number 99905190).

It is your responsibility to operate and maintain this unit in a manner that will result in the safest working conditions possible. You must be aware of existing Federal, State and Local codes and regulations governing the safe use and maintenance of this IMT crane. The crane was designed and built to meet the standards of ANSI/ASME B30.5, Mobile & Locomotive Cranes. Contact the American Society of Mechanical Engineers (www.asme.org) for more information on ANSI/ASME B30.5.

Misuse of the crane through overloading, abuse, lack of maintenance and unauthorized modifications will void the warranty on any part of the unit subjected to this misuse. No warranty - verbal, written or implied - other than the official, published IMT new machinery and equipment warranty will be valid with this unit.

Throughout the manual, NOTE, CAUTION and WARNING are used to draw the attention of personnel. They are defined below. For a safe work environment, treat this equipment with respect and service it regularly.

NOTE

A NOTE is used to either convey additional information or to provide further emphasis for a previous point.

⚠ CAUTION

A CAUTION is used when there is the very strong possibility of damage to the equipment or premature equipment failure.

⚠ WARNING

A WARNING is used when there is the potential for personal injury or death.

PERSONAL FALL / TIE-OFF PROTECTION

When using IMT products for the purpose of personal fall protection, users shall read, understand, and follow the personal fall protection provisions of OSHA 29 CFR 1926.1423, paragraphs (g) Anchorage criteria; (j) Anchoring to the load line; (k) Training. Note OSHA sections, 1926.502(d)(15)* and 1926.502(e)(2)*, are cross-referenced in this section and is up to the user to read, understand, and follow these regulations. The above-referenced provisions within OSHA address specific personal fall protection requirements; however, users of IMT products are required to read, understand and follow all OSHA, industry, workplace, and employer-created regulations governing the use of this product, which includes, but is not limited to, 29 CFR 1926.1423. The user is also required to read, understand, and follow IMT's warnings and instructions. Nothing within this letter should be interpreted to limit or excuse non-compliance with the above requirements in their entirety.

When using IMT products with personal fall protection as described above, users shall utilize a two-part line with the snatch block installed on the winch load line. The personal fall protection shall be attached to the hook on the snatch block. The personal fall protection device shall be connected to the hook on the snatch block only if the hook has the original safety latch on the hook. At no time shall anyone use the hook on the snatch block for purposes of attaching personal fall protection if the safety latch is not original to the hook, or is missing or damaged, and/or if the safety latch is not properly functioning. At no time shall anyone use the winch wire-rope as a tie-off point for personal fall protection. The failure to follow the above regulations and strict adherence to all applicable OSHA, industry, workplace, employer-created, and IMT warnings and instructions can lead to personal injury or death.

These regulations can be found here: https://www.osha.gov/pls/oshaweb/owadisp.show_document?p_table=STANDARDS&p_id=67

* In order to use this method, the hook must have a safety latch, the crane must be capable of supporting 5,000 pounds (refer to the load chart affixed to the crane), limit the fall to less than 6-feet, and not allow a swinging fall. Crane hooks should be used only where there is no other suitable anchor point.

Section - 2

Specifications

7500 / 10000 - 30' Specifications

GENERAL SPECIFICATIONS		
	7500 30'	10000 30'
CRANE RATING (Crane rating (ft-lb) is the rated load (lb) multiplied by the respective distance (ft) from centerline of rotation with all extensions retracted and lower boom in horizontal position.)	52,000 ft-lb (11.2 tm)	75,000 ft-lb (10.4 tm)
HORIZONTAL REACH - FLIP SHEAVE UP (From centerline of rotation)	30'-10" (9.4 m)	
HORIZONTAL REACH - FLIP SHEAVE DOWN (From centerline of rotation)	30' 0" (9.1 m)	
FULLY RETRACTED LENGTH	13' 0" (4 m)	
HYDRAULIC EXTENSIONS (2)	102" & 102" (259 cm & 259 cm)	
LIFTING HEIGHT (From base of crane)	32'-1" (9.8 m)	
CRANE WEIGHT	2400 lb (1,089 kg)	2,480 lb (1,125 kg)
CRANE STORAGE HEIGHT	40.6" (103 cm)	41.2" (104.7 cm)
MOUNTING SPACE REQUIRED (Crane base)	20" x 21" (50.8 cm x 53.3 cm)	
OPTIMUM PUMP CAPACITY	10 U.S.gpm (37.9 L/min)	
SYSTEM OPERATING PRESSURE	3,200 psi (221 Bar)	
CENTER OF GRAVITY Horizontal from centerline of rotation. Vertical from bottom of crane base.	49.9" (126.8 cm) 22.2" (56.4 cm)	54.5" (138.3 cm) 21.38" (54.3 cm)
TIE-DOWN BOLT PATTERN (8 bolts)	14.75" x 14.75" (37.46 cm x 37.46 cm)	14.75" x 14.75" (37.5 cm x 37.5 cm)
ROTATIONAL TORQUE	9,000 ft-lb (1.2 tm)	

PERFORMANCE CHARACTERISTICS		
	SPECIFICATIONS	TIME / SPEED
ROTATION	400°	30 s
LOWER BOOM ELEVATION	-10° TO 80°	12 s
EXTENSION CYLINDERS (2)	102" & 102" (259 cm & 259 cm)	33 s
WINCH SPEED (single line)		60 fpm (2nd wrap) (15.2 m/min.)

POWER SOURCE

Hydraulic power is provided by an integral mounted hydraulic pump and PTO application. Other standard power sources may be used. Minimum power required is 23.5 horsepower based on 10 gpm (37.9 L/min) at 3,200 PSI (221 Bar).

CYLINDER HOLDING VALVES

The holding sides of all cylinders are equipped with integral-mounted counterbalance valves or load-holding check valves to prevent sudden cylinder collapse in case of hose failure.

ROTATION SYSTEM

Rotation of the crane is accomplished through a turntable gear bearing powered by a high-torque hydraulic motor through worm gear reduction. Standard rotation is 400°.

HYDRAULIC SYSTEM (PTO DRIVEN)

The hydraulic system is an open-centered, full-pressure system that requires 10 gpm (37.9 L/min.) optimum oil flow at 3,200 PSI (221 Bar). It is equipped with a four-section, stack-type, electric, remote control valve with an RF remote-control system with a 40' (9.1 m) radio elimination cable. The system includes a separate hydraulic oil reservoir, suction line filter, return-line filter and control valve.

OVERLOAD PROTECTION SYSTEM

Overloading of the crane is prevented by the overload protection system. A pressure transducer mounted on the lower cylinder senses overload conditions. When in an overload situation, the winch-up, extension-out, and boom-down functions are stopped. To relieve the situation, raise the boom, retract the extensions, or lower the winch.

WINCH

The 4,300 lb (1,950 kg) planetary winch is powered using a high-torque hydraulic motor. The lifting capacity of the winch is 4,300 lb (1,950 kg) one-part line. Maximum two-part line capacity is based on the maximum crane capacity. The winch is equipped with 120 ft (36.5 m) of 3/8" (9.5 mm), 6 X 25 FW PRF RRL IWRC XIPS wire rope. A compact, anti-two block device is included to prevent the lower block or hook assembly from coming in contact with the boom sheave assembly. The winch meets ANSI B30.5 standards

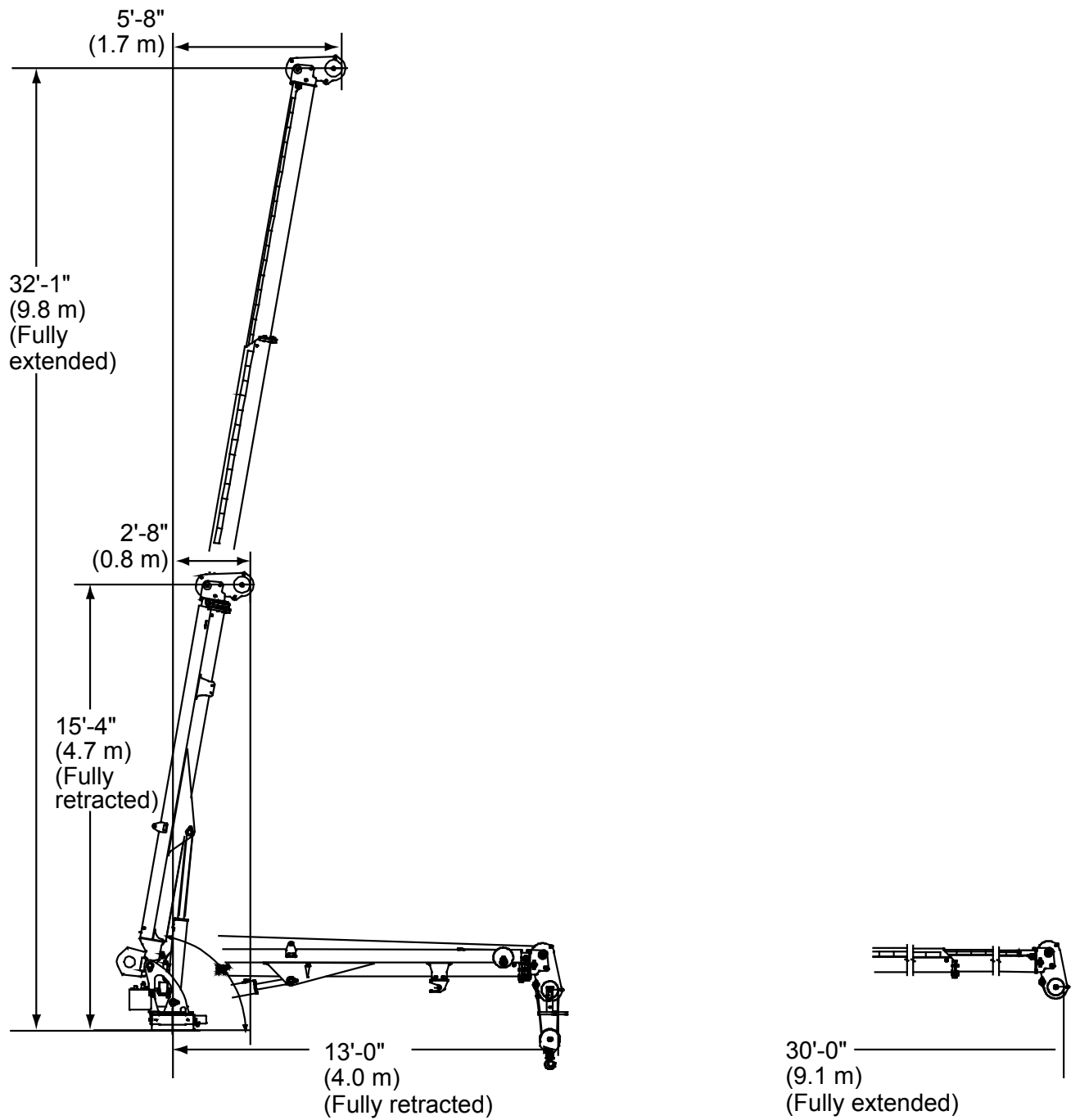
7500 / 10000 30' MINIMUM CHASSIS SPECIFICATIONS	
CHASSIS STYLE	CONVENTIONAL CAB
BODY STYLE	DOMINATOR™ I & II & III
CAB-TO-AXLE (1)	120" (213-305 cm)
RESISTANCE TO BENDING MOMENT	<ul style="list-style-type: none"> • 600,000 in-lb (69,127 kg-m) (7500 30") • 1,200,000 in-lb (138,255kg-m) (10000 30")
FRAME SECTION MODULUS- MINIMUM	14.2 CU.INCHES (232 cc)
RATED MOMENT	<ul style="list-style-type: none"> • 52,000 FT-LB (7,190 kg-m) (7500 30") • 75,000 ft-lb (10,369 kg-m) (10000 30")
GROSS VEHICLE WEIGHT RATING (SEE NOTE 2)	<ul style="list-style-type: none"> • 19,500 lb (8,165 kg) (7500 30') • 26,000 lb (11,793 kg) (10000 30')

NOTES:

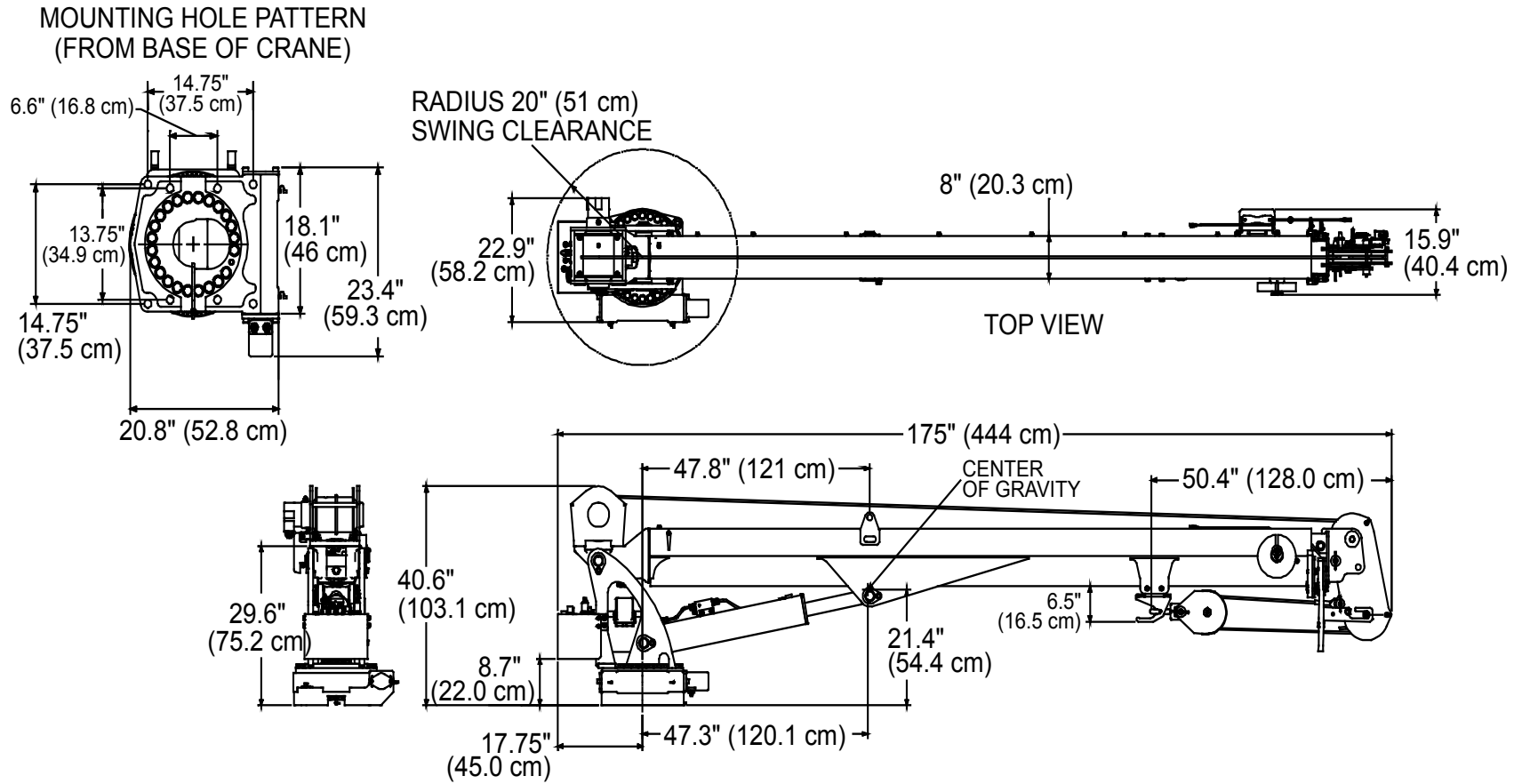
1. THE CAB TO AXLE (CA) DIMENSION VARIES BASED ON THE CONFIGURATION OF THE BODY, CRANE, AND AUXILIARY EQUIPMENT INCLUDING WELDER DECKS. MAKE SURE THE CA IS FREE AND CLEAR FROM OBSTRUCTIONS EVERYWHERE EXCEPT BETWEEN THE FRAME RAILS.
2. THE GROSS VEHICLE WEIGHT RATING (GVW) IS A MINIMUM GUIDELINE. CONTACT IMT IF YOU HAVE QUESTIONS REGARDING YOUR PARTICULAR INSTALLATION.
3. IN ADDITION TO THESE SPECIFICATIONS, HEAVY DUTY ELECTRICAL AND COOLING SYSTEMS ARE REQUIRED. IT IS RECOMMENDED THAT THE VEHICLE BE EQUIPPED WITH AN ENGINE TACHOMETER, AUXILIARY BRAKE LOCK, AND POWER STEERING.
4. WEIGHT DISTRIBUTION CALCULATIONS ARE REQUIRED TO DETERMINE FINAL AXLE LOADING.
5. ALL CHASSIS, CRANE, AND BODY COMBINATIONS, MUST BE STABILITY-TESTED PER ANSI B30.5 REQUIREMENTS.

IOWA MOLD TOOLING CO., INC. RESERVES THE RIGHT TO CHANGE SPECIFICATIONS AND DESIGN WITHOUT NOTICE.

Dimension Sketch



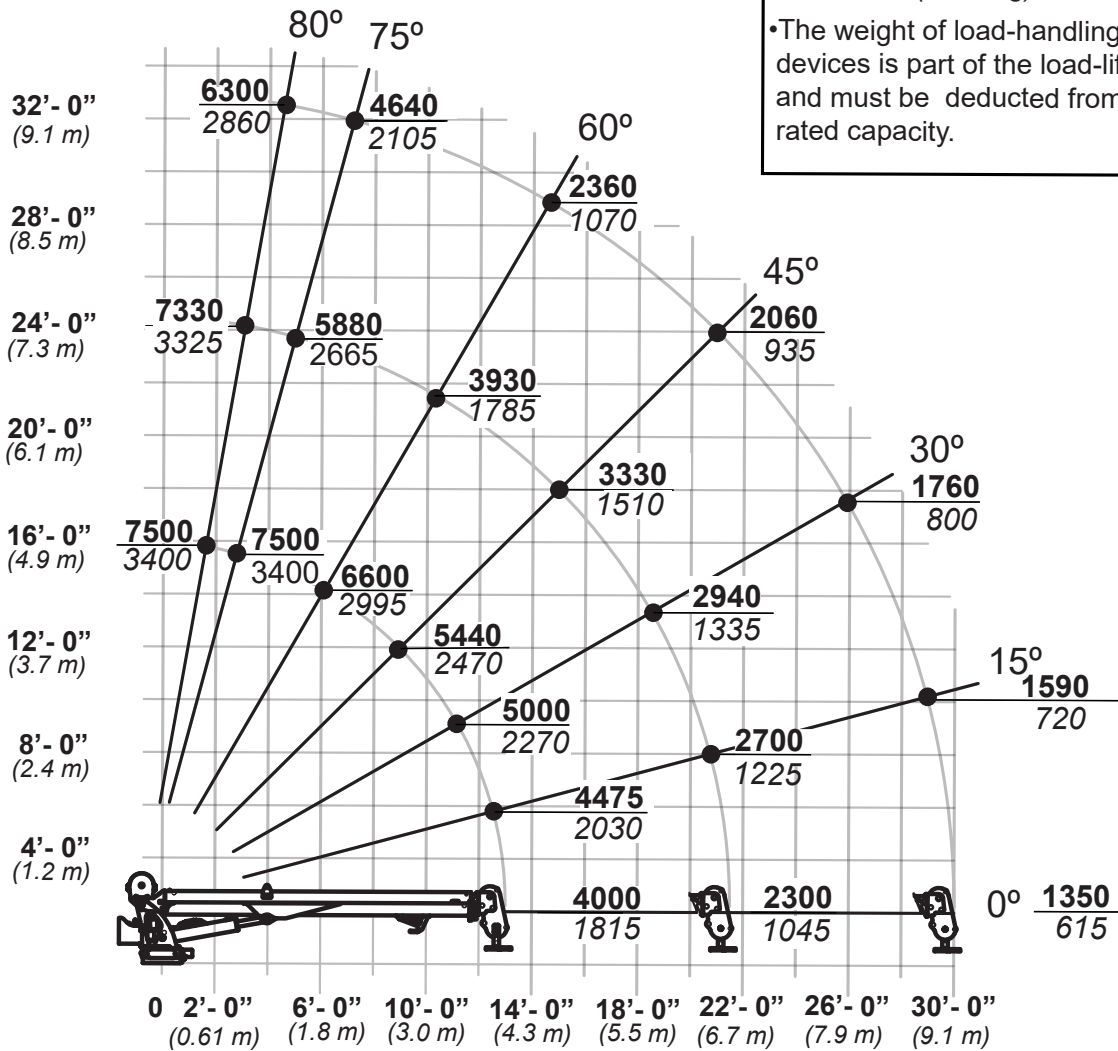
DIMENSION SKETCH CONTINUED



7500 30 Ft - Load Capacity Chart

30' 7500 HYDRAULIC CAPACITY CHART

- Maximum one-part line weight is **4300 lb. (1950 kg)**.
- The weight of load-handling devices is part of the load-lifted and must be deducted from the rated capacity.



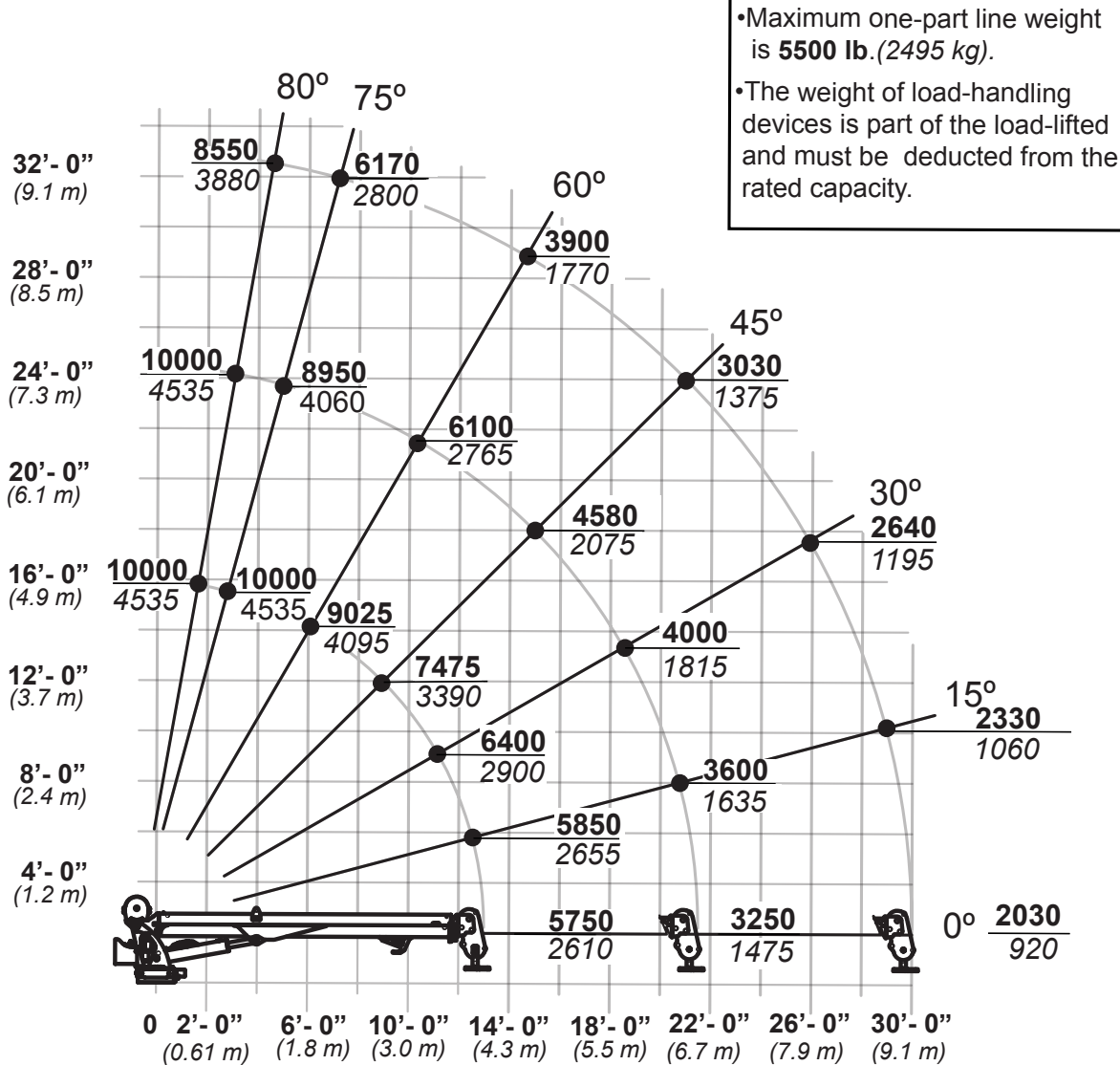
Wire Rope Data:
 Diameter: 0.38, Non-Rotation Resistant, Minimum Breaking Load: 15100.



IOWA MOLD TOOLING CO., INC.
 BOX 189, GARNER, IA 50438-0189
 TEL: 641-923-3711 FAX: 641-923-2424 70399103

10000 30 Ft - Crane Capacity Chart

30' 10000 HYDRAULIC CAPACITY CHART



Wire Rope Data:

Diameter: 0.44, Non-Rotation Resistant, Minimum Breaking Load: 20400.



IOWA MOLD TOOLING CO., INC.

BOX 189, GARNER, IA 50438-0189

TEL: 641-923-3711 FAX: 641-923-2424

70399109

This page left intentionally blank

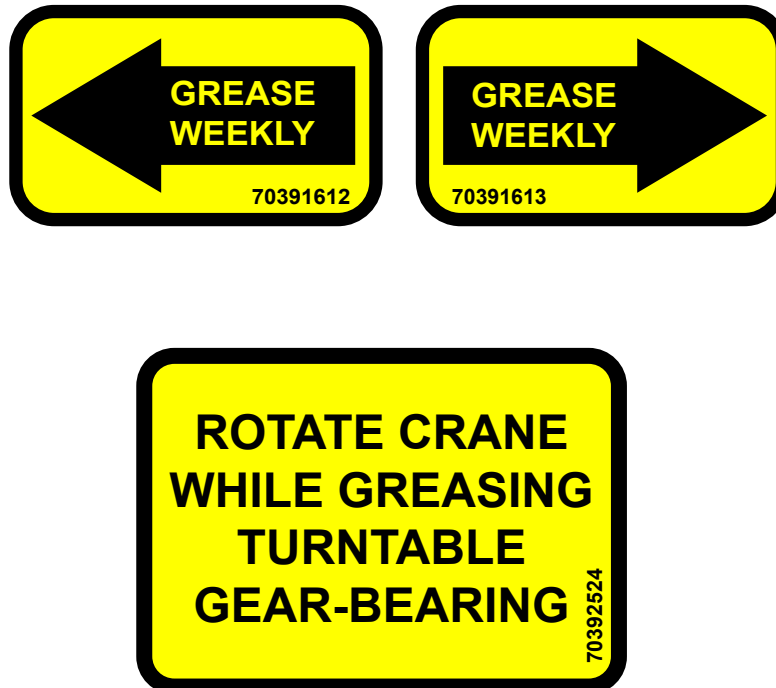
Section - 3

Crane References

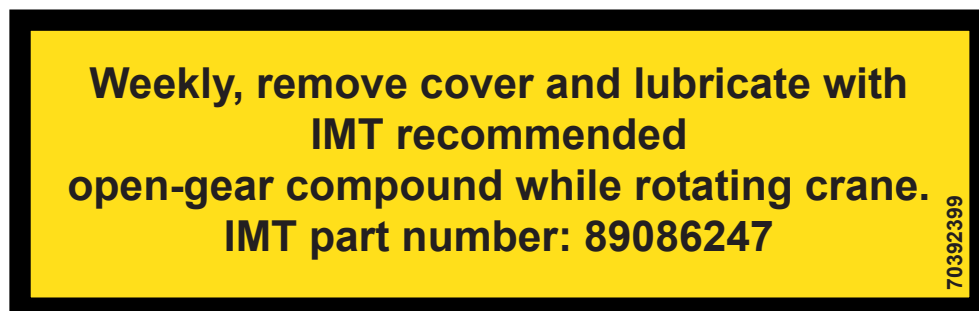
Greasing Instructions

Different lubricants are required for different sections of your crane. Contact your lubricant supplier for specific product information. Follow the grease and lubricant specifications and intervals listed in this manual for best results.

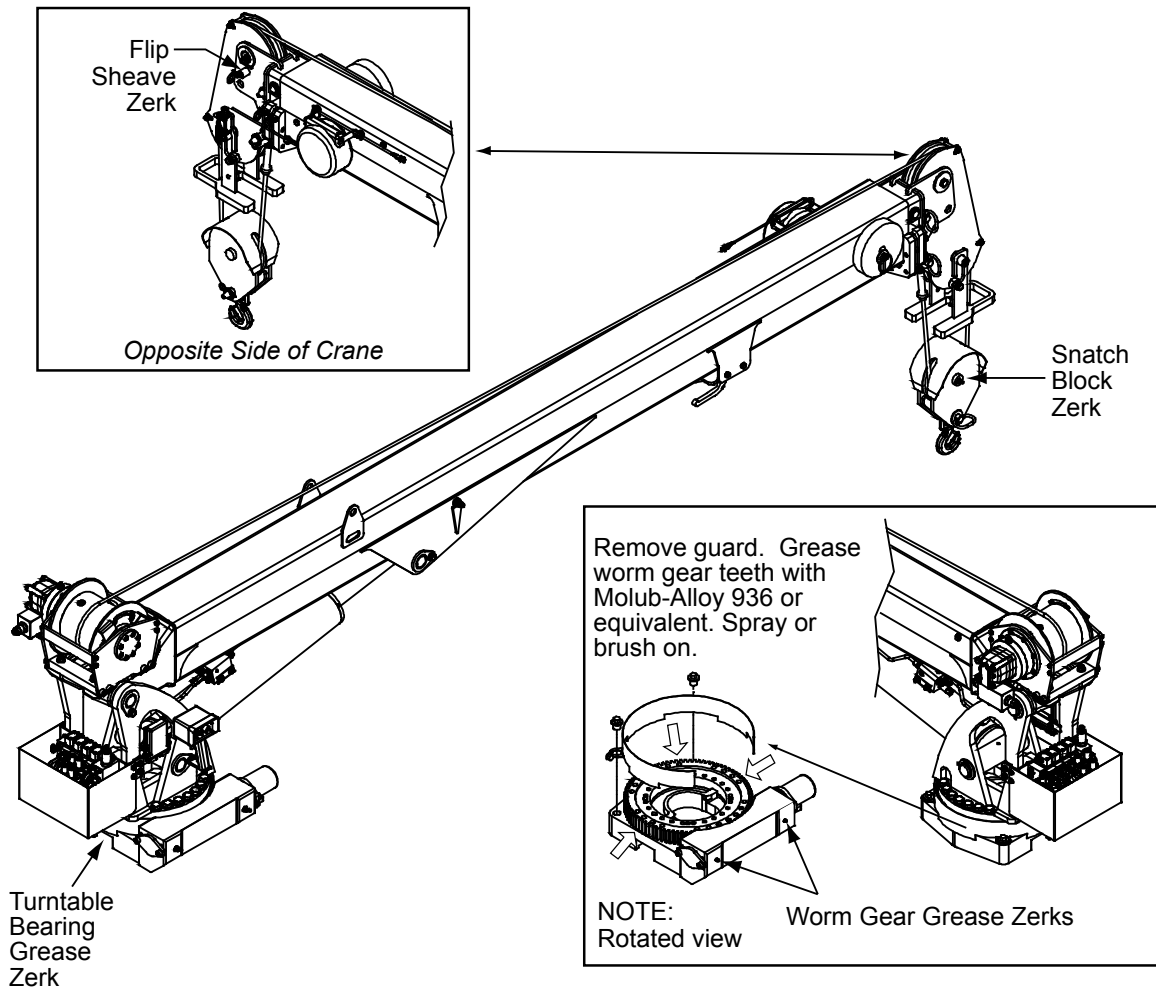
Crane grease zerks must be greased on a weekly basis during normal operating conditions. Under severe operating conditions the zerks must be greased more frequently. Each grease zerk is marked with a decal, "grease weekly", as shown. Rotate the worm gear bearing when greasing the worm gear bearing grease zerks.



Crane worm gear bearing teeth must be lubricated weekly with lubriplate gear shield extra-heavy or equivalent, applied with a grease gun, caulk gun or brush. Cover all teeth with grease and leave no exposed metal surfaces showing.



Greasing Locations



LOCATION	LUBRICANT	APPLICATION METHOD	FREQUENCY
Base - Turntable Bearing Grease Zerks	Extreme Pressure Lithium grease such as: Shell Alvania 2EP, Shell Retinax A, Mobilgrease XHP 462, Cenex ML 365®, Xtreme True-Flo EP2 Lithium grease or equivalent	Apply with hand or pneumatic pressure grease gun	Weekly
Snatch Block Pin			
Lower Sheave			
Worm Bearings Grease Zerks (*Rotate crane while greasing)			
Upper Sheave			
Gear Teeth	GearMate® Super Heavy or equivalent	Brush	Weekly
Worm Gear	GearMate® Super Heavy or equivalent	Apply with hand or pneumatic pressure grease gun	

Crane Recommended Spare Parts List

BASE & MAST		
PART NO.	DESCRIPTION	QTY.
73051919	HYDRAULIC MOTOR	1
72601949	CAP SCREW 0.50-13 X 1.25 SHZC	2
72601629	CAP SCREW .75-10 X 4.00 HEX HEAD GR8 Z	4
72601817	CAP SCREW .75-10 X 3.25 HEX HEAD GR8 Z	16
WEAR PADS (BOOM ASSEMBLY)		
60030336	WEAR PAD-RC	1
60030337	WEAR PAD-ROUND	2
60030422	WEAR PAD-ROUND	1
60030423	WEAR PAD-RC	4
60030486	SPACER-A2B PIN CAP 7500-10000	2
60030425	WEAR PAD-ROUND	2
60030428	WEAR PAD-ROUND	4
60030421	WEAR PAD-RC 0.25X 6.00X 6.00	1
60030442	WEAR PAD-RND 0.25X 1.00X .50X .38	2
60030429	WEAR PAD-A2B BRKT	2
ANTI-TWO-BLOCK ASSEMBLY		
77041863	LIMIT SWITCH	1
WINCH ASSEMBLY 7500 30 FT		
52723030	PIN-TYPE M 1.50X 3.38	1
60109337	RETAINER PLT-PIN 3.00 DIA	1
70735099	HOOK-SWVL POS LOCK BBRG 5TON	1
60030134	SHEAVE- 8.00 POLYMER	1
70580231	WIRE ROPE ASM-GALV.38(6X25)X130ft XIPS	1
71414204	DOWN HAUL WEIGHT-(20#) .38 WIRE ROPE	1
WINCH ASSEMBLY 10000 30 FT		
70580234	WIRE ROPE ASM-GALV.44(6X25)X120ft XIPS	1
71414205	DOWN HAUL WEIGHT-(20#) .50 WIRE ROPE	1
70735099	HOOK-SWVL BBRG 5TON W/LATCH	1
60030255	SHEAVE- 9.00 POLYMER	1
52723030	PIN-TYPE M 1.50X 3.38	1
60109337	RETAINER PLT-PIN 3.00 DIA	1
LOWER CYLINDER (51727888) 10000 30 FT		
94399133	SEAL KIT	1
77041866	PRESSURE TRANSDUCER	1
73540444	CBAL VALVE	1
LOWER CYLINDER (51727887) 7500 30 FT		
94399128	SEAL KIT	1
77041866	PRESSURE TRANSDUCER	1
73540490	CBAL VALVE	1
51723931 CYLINDER (PART OF 51727883 EXT. CYLINDER ASSEMBLY)		
94399160	SEAL KIT	1
51723927 CYLINDER (PART OF 51727883 EXT. CYLINDER ASSEMBLY)		
94399162	SEAL KIT	1

VALVE BANK (73734727)		
94399213	SEAL KIT, CONNECTION BLOCK	1
94399214	SEAL KIT, VALVE SECTIONS	1
VALVE BANK (73734472)		
90744198	KIT - COIL REPAIR FOR 73540375 12V	1
77041930	SOLENOID TUBE USED ON 73540375	1

WINCH (70570761) 7500 30 FT		
94744136	SEAL KIT	1
71411143	BALL BEARING	1
73540627	BRAKE VALVE ASM-FOR WINCH 70570761_0771	1
WINCH (70570771) 10000 30 FT		
94744147	SEAL KIT	1
71411143	BALL BEARING	1
73540267	BRAKE VALVE ASM-FOR WINCH 70570761_0771	1

Installation Introduction

GENERAL

This section contains instructions for the installation of your crane. Prior to installing the crane and hydraulic components, make sure that the chassis is ready to receive the crane (see the Installation Section of the *IMT Telescopic Crane Operation & Safety Manual*, 99905190).

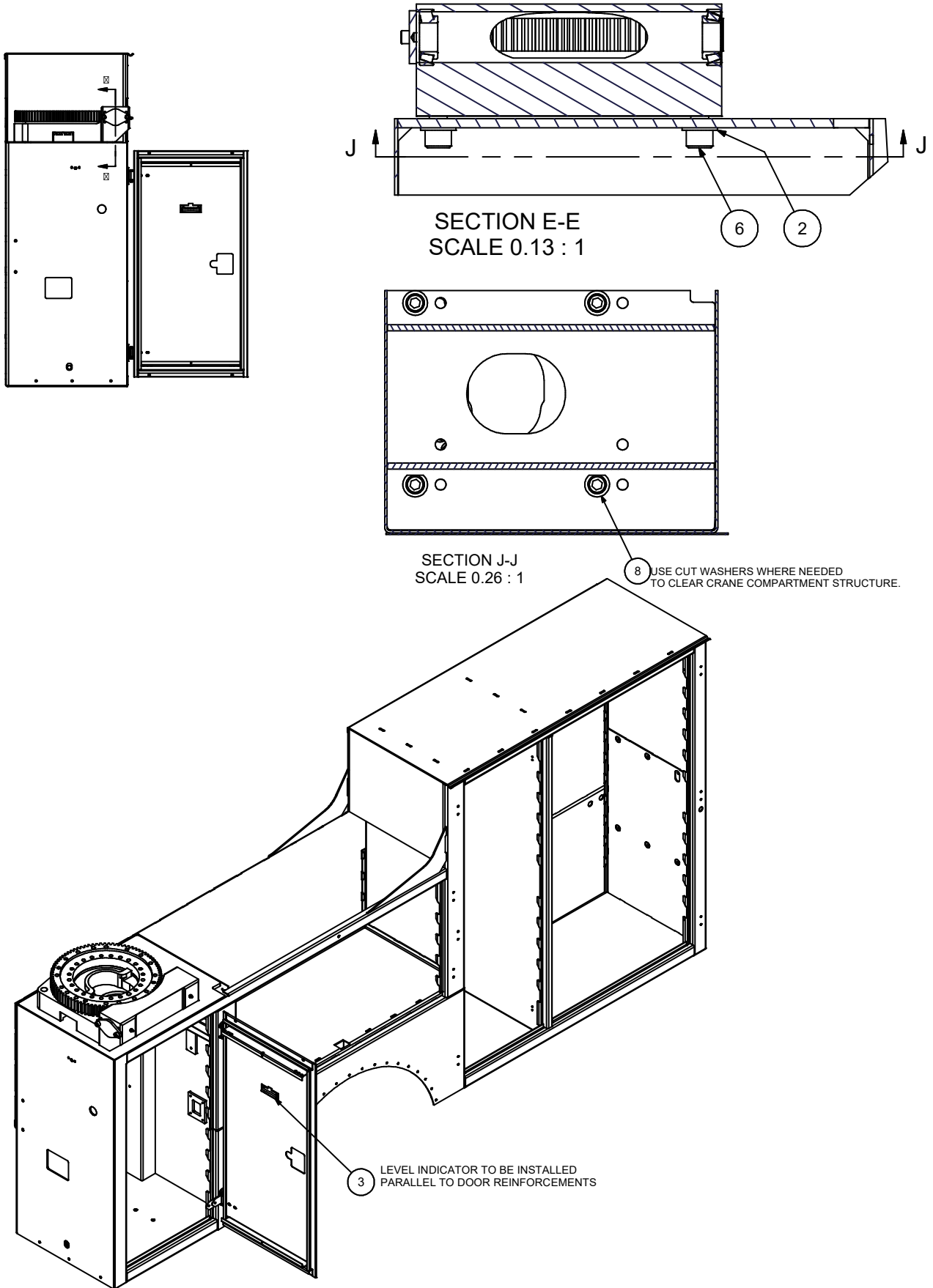
Reinforce the chassis frame, as necessary, and install the PTO and pump.

Each installation may vary in components used. It is important to use hoses of proper length, pumps of correct size, and PTO's of adequate speed. Study the applicable installation kit in the parts section before attempting any installation.

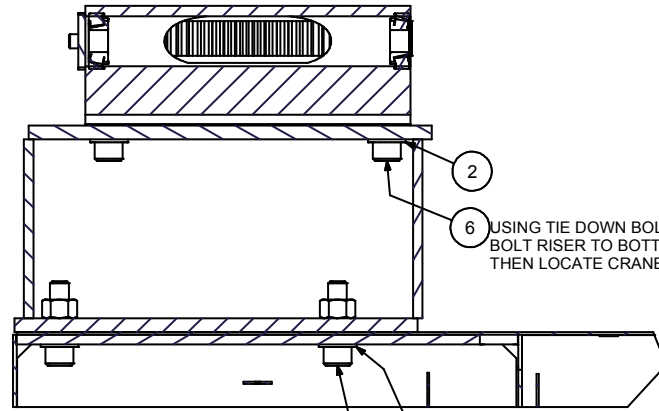
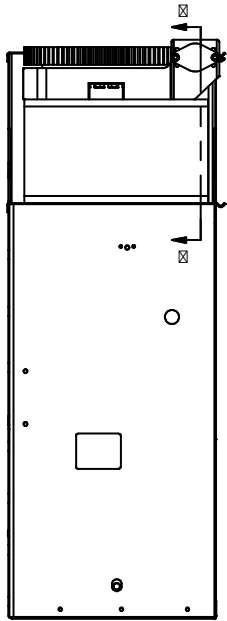
CRANE INSTALLATION

In addition to meeting Minimum Chassis Specifications, there must be sufficient room to mount the crane and the platform must be strong enough to support the crane and rated load. Install the crane only on an IMT designed and approved truck body. The body must be designed to sustain the forces imposed by the crane when lifting the full rated load. In addition, an IMT designed body is designed to take full advantage of the standard reservoir placement. This reservoir is installed in the cargo area of the body. Before attempting to install the crane, the body must be installed on the chassis.

Crane Installation Kit, DOM I (99905066)

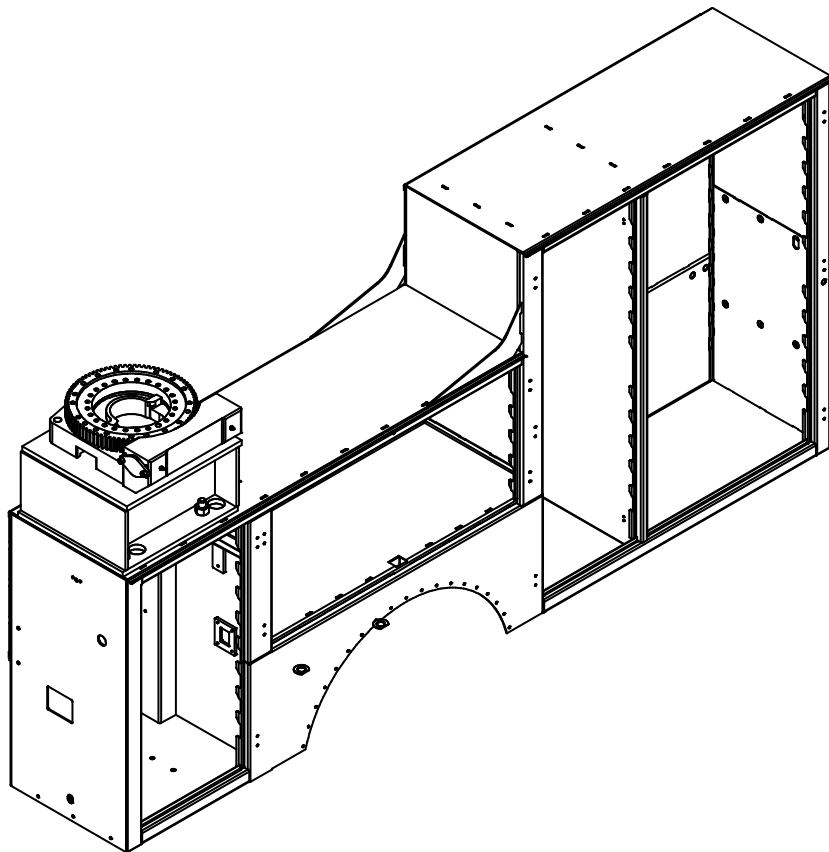


99905066-1



SECTION G-G
SCALE 0.13 : 1

- 6 USING TIE DOWN BOLTS FROM CRANE INSTALL KIT, BOLT RISER TO BOTTOM OF CRANE BASE. THEN LOCATE CRANE WITH RISER ONTO BODY.
- 7 CAP SCREW PASSES UPWARD THROUGH WASHER, CRANE COMPARTMENT TOP, AND INTO CRANE RISER. REFER TO CRANE MANUAL FOR SPECIFIC TORQUE REQUIREMENTS.

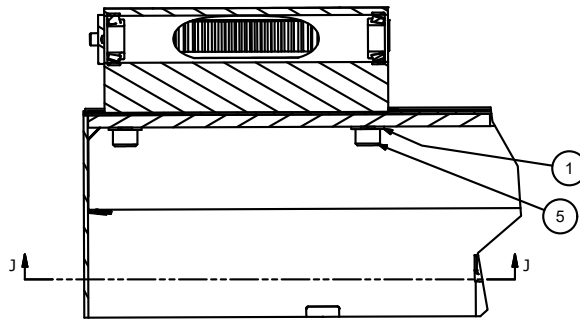
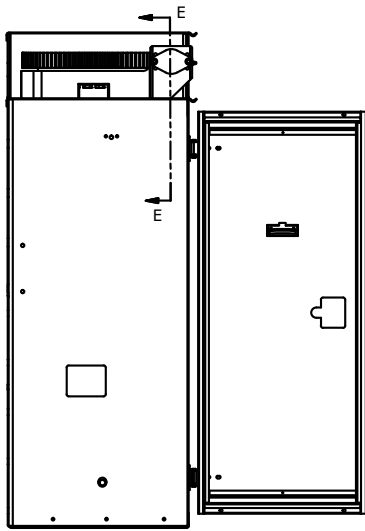


ITEM NO.	PART NO.	DESCRIPTION	QTY.
1.	BODY	DOM S3	REF
2.	72063066	WASHER 1.00 FLAT HI STR	AR
3.	72042097	LEVEL INDICATOR LEVEL	1
4.	52720014	RISER-6025 CRANE BASE 11in DOM 2	REF
5.	93713668	INSTL-KIT SERIES III 7500-8600S	1
6.	72602151	CAP SCR 1.00- 8X 2.50 SH PLAIN	AR
7.	72602152	CAP SCR 1.00- 8X 3.50 SH PLAIN	AR
8.	72063286	WASHER-FLAT 1.00 H ASTM F436 Z-CUT	AR
REV. E CN764			

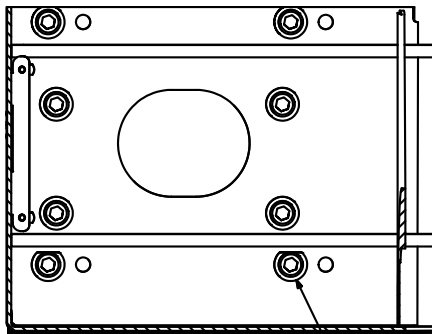
NOTES:

1. LEVEL INDICATOR TO BE INSTALLED PARALLEL TO DOOR REINFORCEMENTS.
2. THE 3.00" BOLTS SUPPLIED ARE FOR USE ON BODIES WITH A CRANE BOX TOP PLATE THICKNESS OF 7/8" TO 1.00" ONLY. DETERMINE THE CRANE BOX TOP PLATE THICKNESS PRIOR TO MOUNTING. IF DIFFERENT LENGTH BOLTS ARE REQUIRED, THEY MUST BE 1-8, GRADE 8, ZINC COATED, OF PROPER LENGTH. FAILURE TO USE PROPER LENGTH BOLTS MAY CAUSE THE BOLTS UNDER THE CRANE ROTATION BEARING TO BOTTOM OUT DURING TIGHTENING. ENSURE A MINIMUM OF 1-1/2" THREAD ENGAGEMENT.

Crane Installation Kit, DOM II & III (99905067)

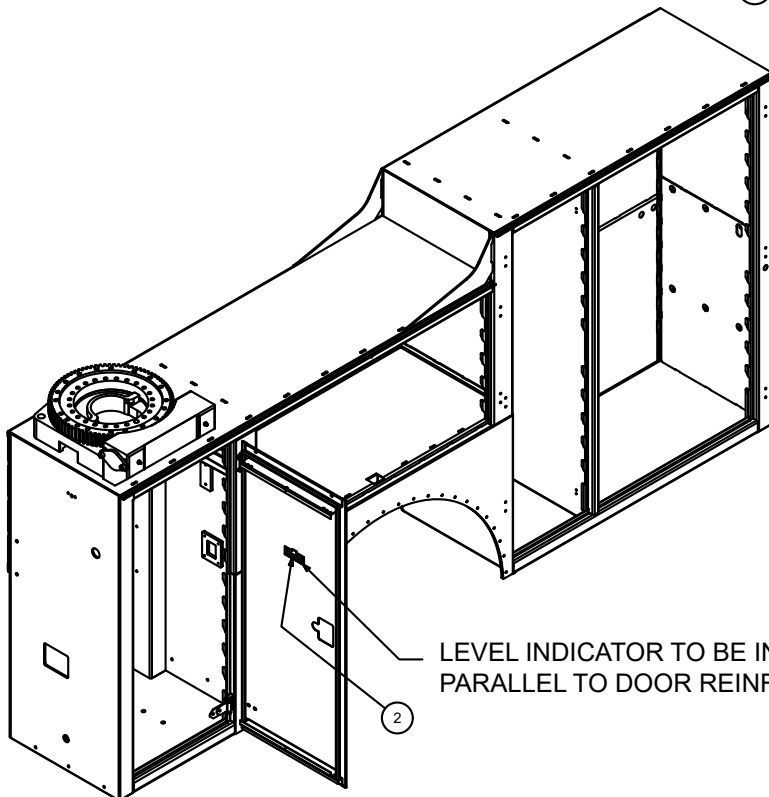


SECTION E-E
SCALE 0.13 : 1



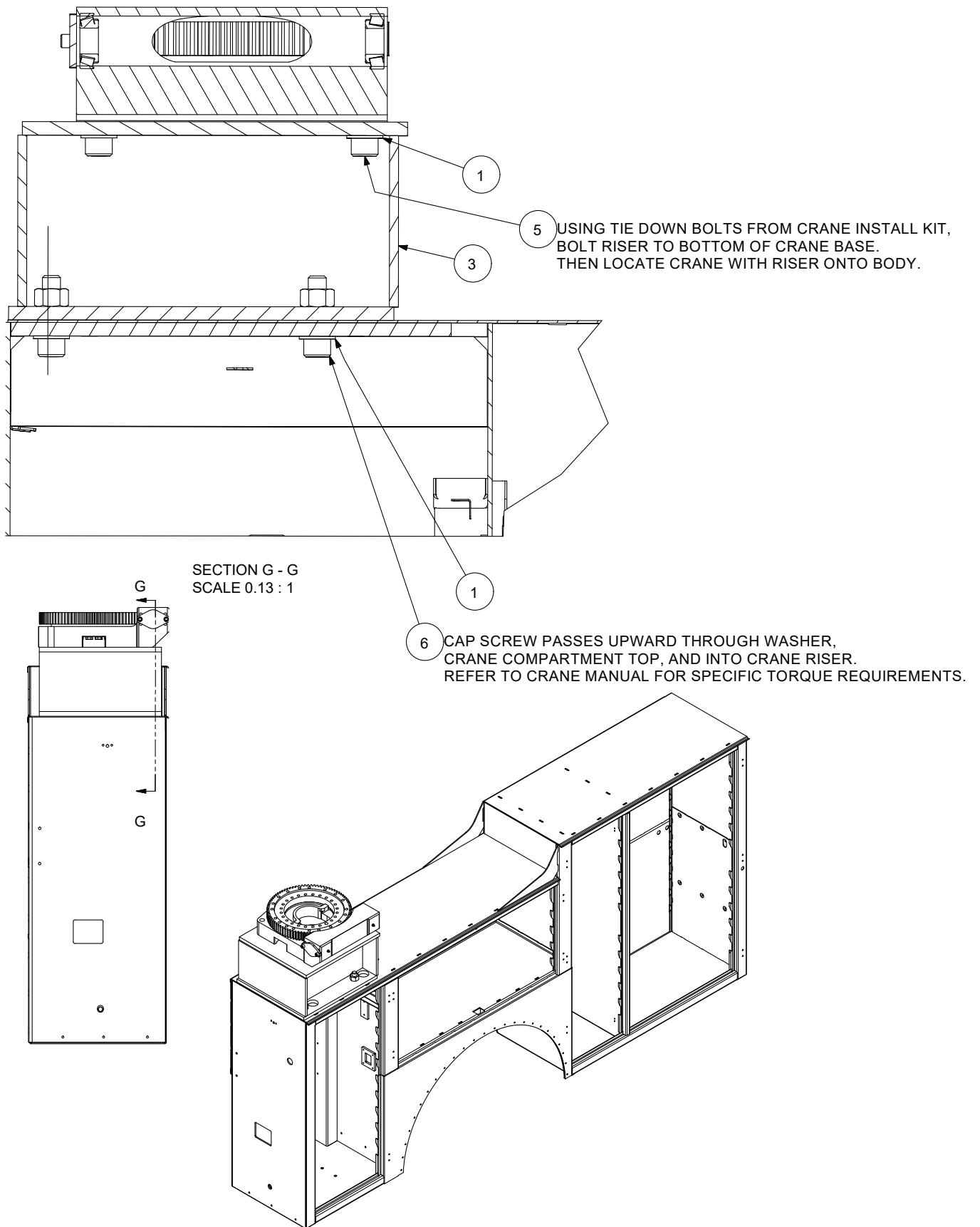
SECTION J-J
SCALE 0.26 : 1

USE CUT WASHERS WHERE NEEDED
TO CLEAR CRANE COMPT. STRUCTURE.



LEVEL INDICATOR TO BE INSTALLED
PARALLEL TO DOOR REINFORCEMENTS

99905067-1



99905067 PARTS LIST

ITEM NO.	PART NO.	DESCRIPTION	QTY
1	72063066	WASHER 1.00 FLAT HI STR	AR
2	72042097	LEVEL INDICATOR LEVEL	1
3	52720014	RISER-6025 CRANE BASE 11IN DOM 2	REF
4	93713669	INSTL-KIT DS3 -DOM 2 8600S-10000	1
5	72602151	CAP SCR 1.00- 8X 2.50 SH PLAIN	AR
6	72602152	CAP SCR 1.00- 8X 3.50 SH PLAIN	AR
7	72063286	WASHER-FLAT 1.00 H ASTM F436 Z-CUT	AR
REV. H CN963			

NOTES:

THE 2.5" BOLTS SUPPLIED ARE PART OF THE CRANE INSTALLATION KIT. DETERMINE THE CRANE BOX TOP PLATE THICKNESS PRIOR TO MOUNTING. IF DIFFERENT LENGTH BOLTS ARE REQUIRED, THEY MUST BE 1-8, GRADE 8, ZINC COATED, OF PROPER LENGTH. FAILURE TO USE PROPER LENGTH BOLTS MAY CAUSE THE BOLTS UNDER THE CRANE SWING BEARING TO BOTTOM OUT BEFORE TORQUING. INSURE A MINIMUM OF 1-1/2" THREAD ENGAGEMENT.

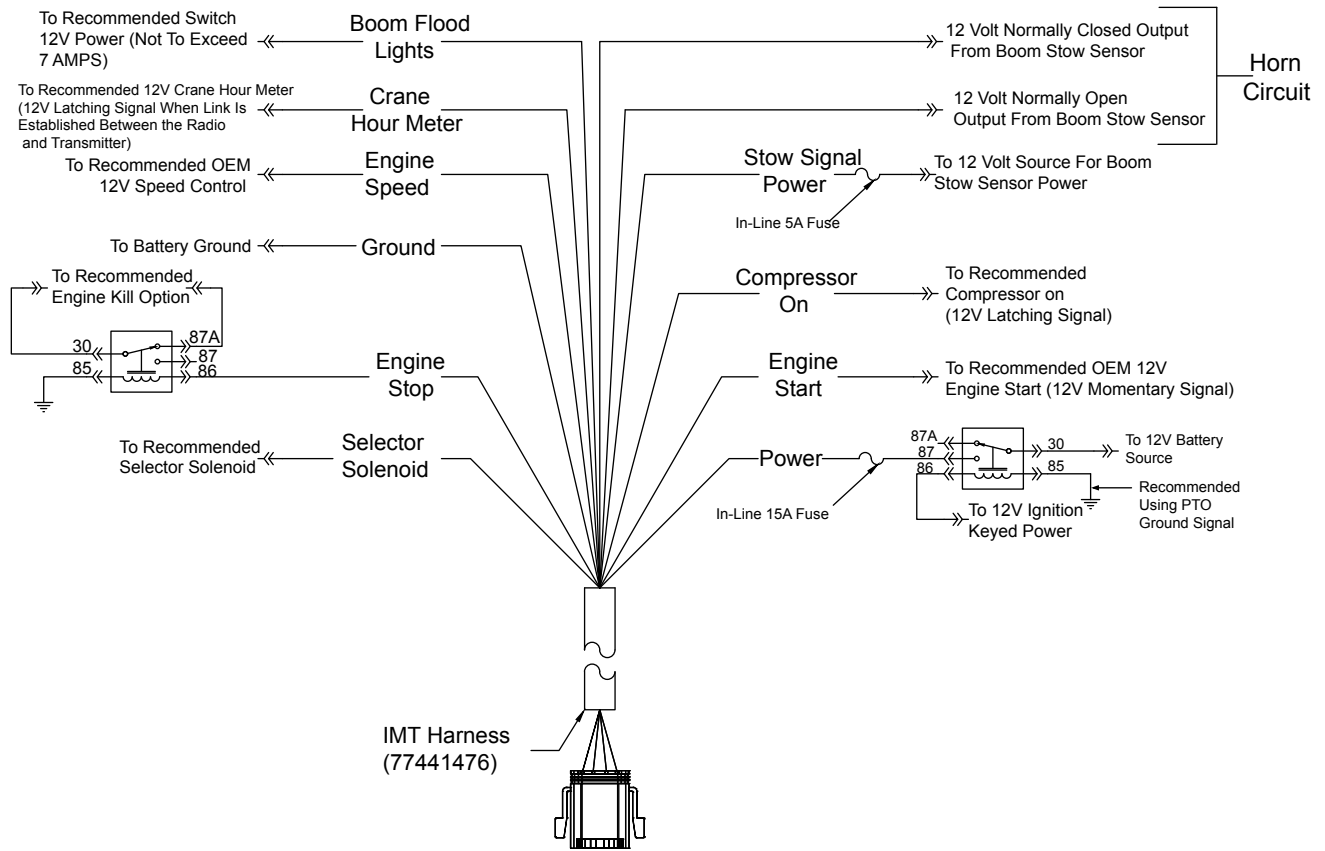
Harness, Non IMT Body (77441476)

SELECTOR	1	W-1	SELECTOR
ENGINE STOP	2	W-2	ENGINE STOP
GROUND	3	W-3	GROUND
COMPRESSOR ON	4	W-4	COMPRESSOR ON
ENGINE SPEED	5	W-5	ENGINE SPEED
ENGINE START	6	W-6	ENGINE START
POWER	7	W-7	POWER
CRANE HOURMETER	8	W-8	CRANE HOURMETER
STOW SENSOR POWER	9	W-9	STOW SENSOR POWER
STOW SENSOR N/C	10	W-10	STOW SENSOR N/C
STOW SENSOR N/O	11	W-11	STOW SENSOR N/O
BOOM FLOOD LIGHT	12	W-12	BOOM FLOOD LIGHT

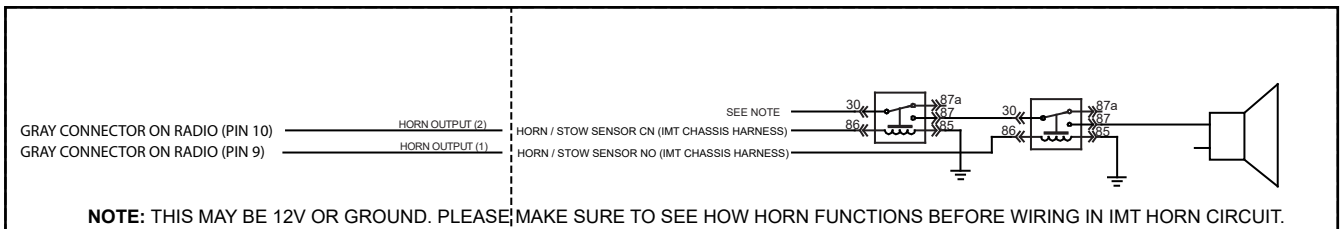
CP-1200
CRANE CONNECTION

Chassis Wiring Harness (77441476 / 99905212)

ADDITIONAL INSTALLATION COMPONENTS, NON-IMT BODY (93713748)

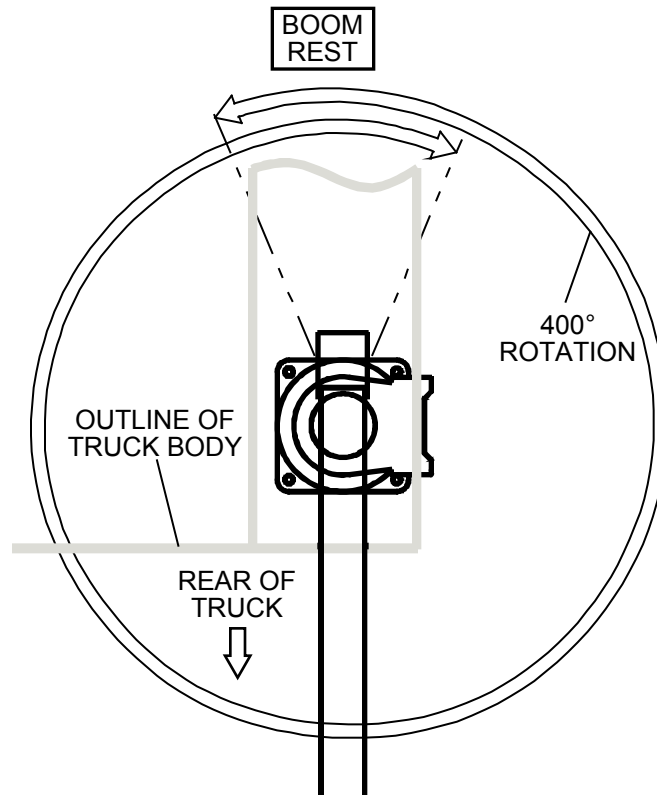


HORN CIRCUIT



Telescopic Crane Orientation

When an IMT telescopic crane is not factory-installed on a body, the crane is packed with the boom oriented as it is built on a test stand to facilitate handling. Install the crane on the body with boom pointing backward. Once the crane is bolted down, it can be rotated 180° to the boom rest.



Crane Controls

IMT telescopic cranes are controlled by radio remote controls. See the *Telescopic Fully Proportional Crane Radio Remote System* manual, IMT part number, 99906209, or *Series III Telescopic Single Proportional Radio Remote System*, IMT part number, 99906210, for complete details.

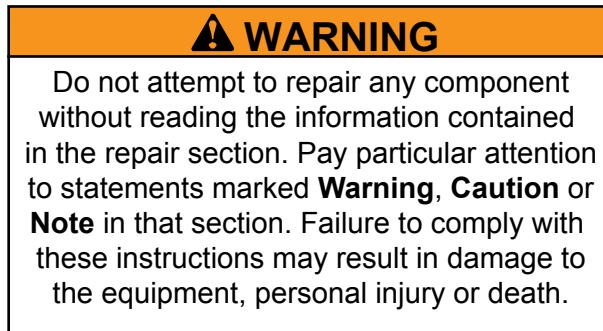
This page left intentionally blank

Section - 4 **Parts**

Parts Information

GENERAL

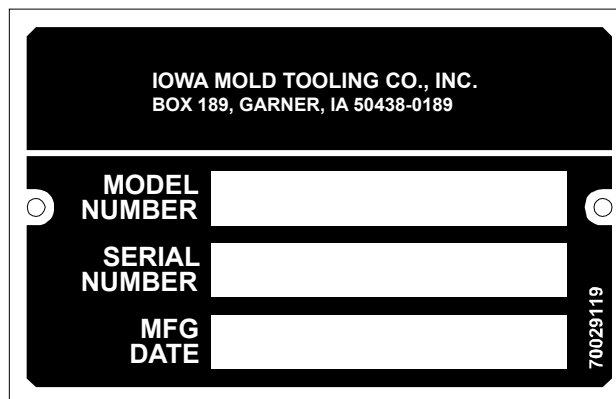
This section contains the exploded parts drawings and accompanying parts lists for the assemblies used on this crane. For optional equipment such as winches and remote controls, refer to the appropriate options manual.



CRANE IDENTIFICATION

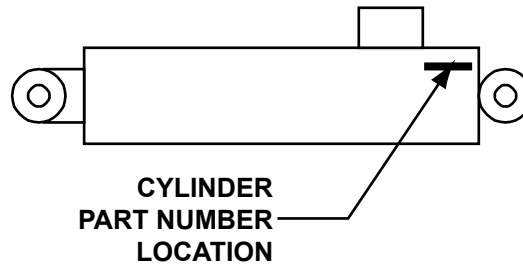
Every IMT crane has an identification placard (see figure below). This placard is attached to the inner boom, mast, or crane base. When ordering parts, communicating warranty information, or referring to the unit in correspondence, always include the serial number and model numbers. Address all inquiries to your authorized IMT distributor or to:

Iowa Mold Tooling Co., Inc.
Box 189, Garner, IA 50438-0189
Telephone: 800-554-4421



CYLINDER IDENTIFICATION

To insure proper replacement parts are received, it is necessary to specify the complete number/letter sequence for any part requested. Part numbers may be cross checked by comparing the stamped identification on the cylinder case (See figure below) against the information contained in the service manual. You must include the part number stamped on the cylinder case when ordering parts.



WELDMENT IDENTIFICATION

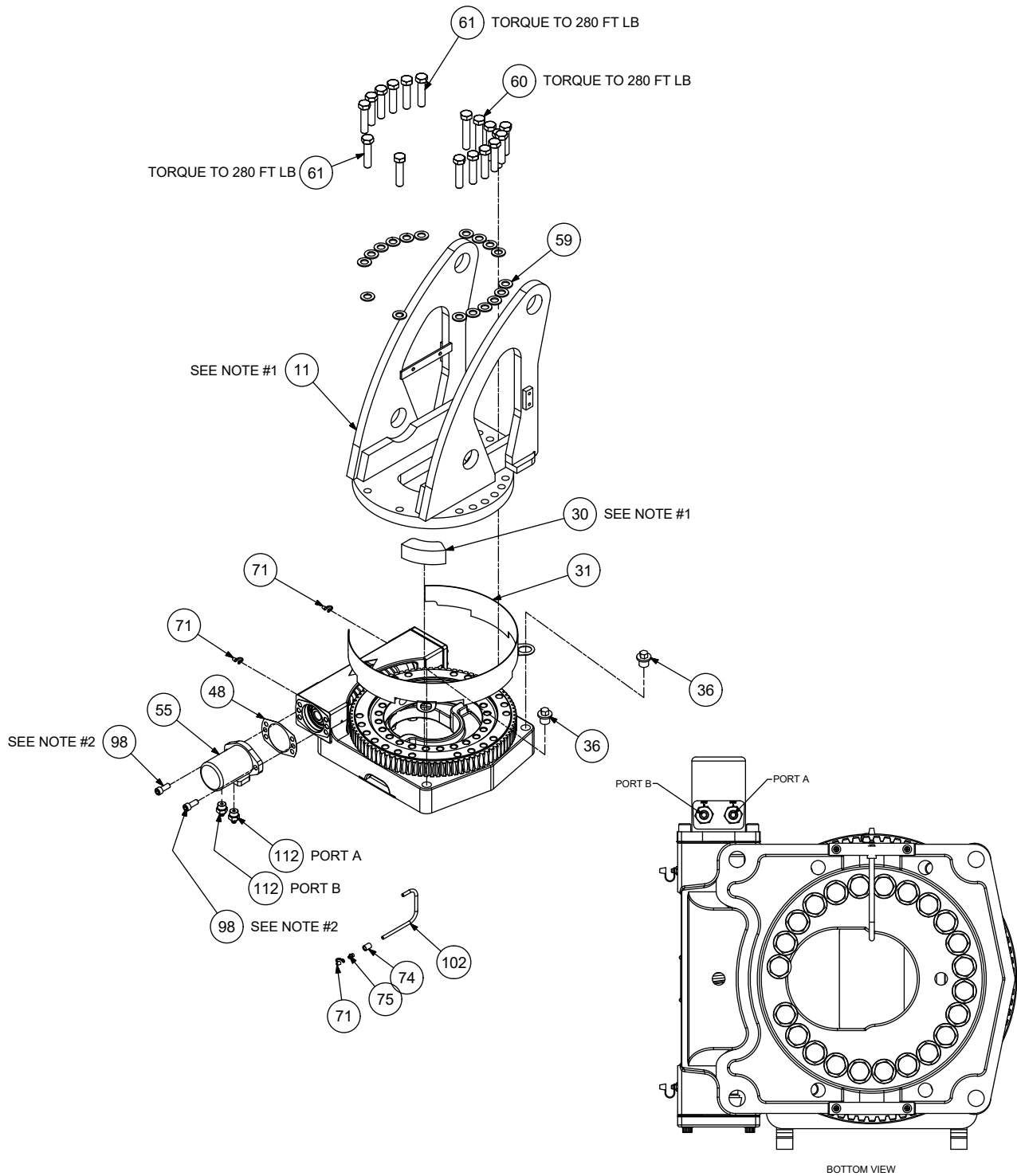
Each of the major weldments, base, mast, inner boom, outer boom, extension boom and stabilizer weldments bear a stamped part number. Any time a major weldment is replaced, you must specify the complete part number as stamped on the weldment. The locations of the part numbers are shown in the Crane Reference Section.

ORDERING REPAIR PARTS

When ordering replacement parts:

1. Give the model number of the unit.
2. Give the serial number of the unit.
3. Specify the complete part number. When ordering cylinder parts, or one of the main weldments, always give the stamped part number.
4. Give a complete description of the part
5. Specify the quantity required.

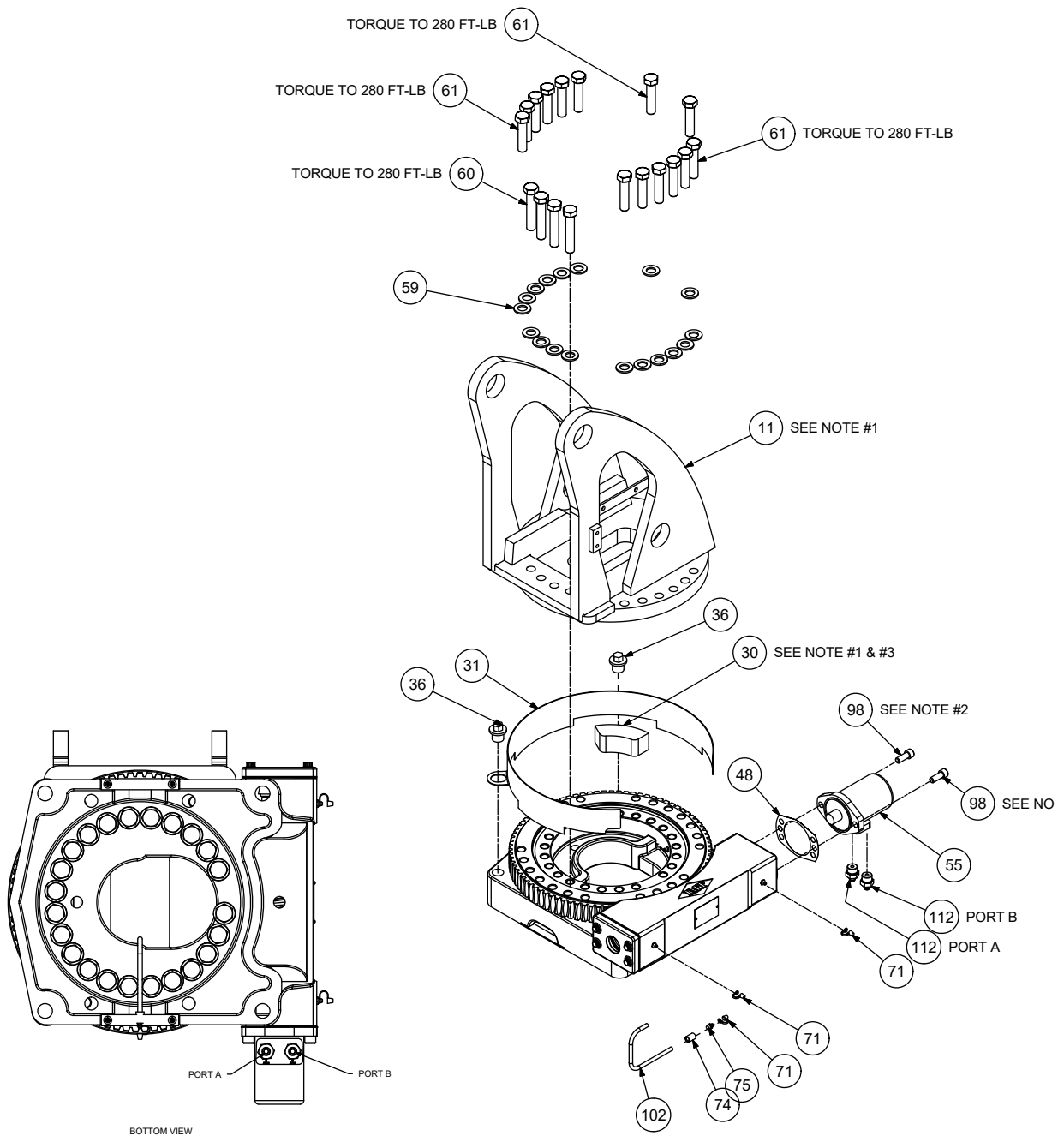
7500, Base & Mast Assembly, Test Stand (99904922)



NOTES:

1. USE RUST PREVENTANTIVE ON SLIDE STOP, BEARING RACE, BOTTOM OF MAST & TOP OF GEAR BEARING
2. APPLY BLUE THREAD LOCKER
3. APPLY GEAR LUBE ON GEAR TEETH
4. BASE AND MAST ASSEMBLY SHOWN AS MOUNTED ON TEST STAND

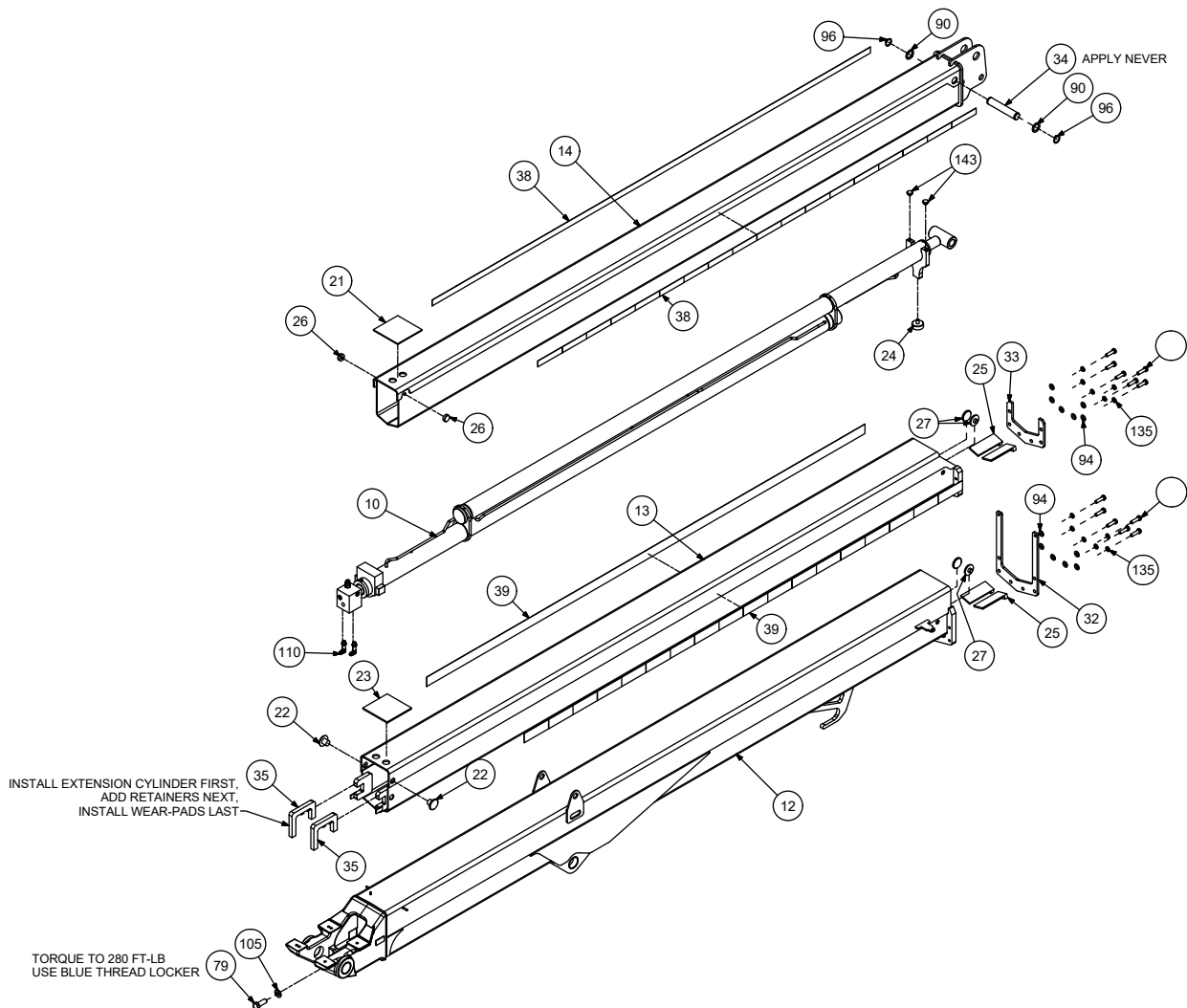
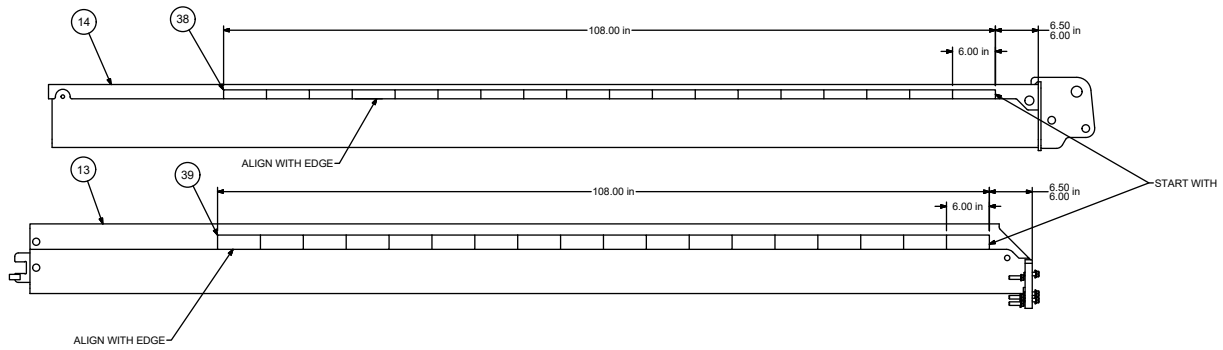
7500, Base & Mast Assembly, Truck Mount (99904922)



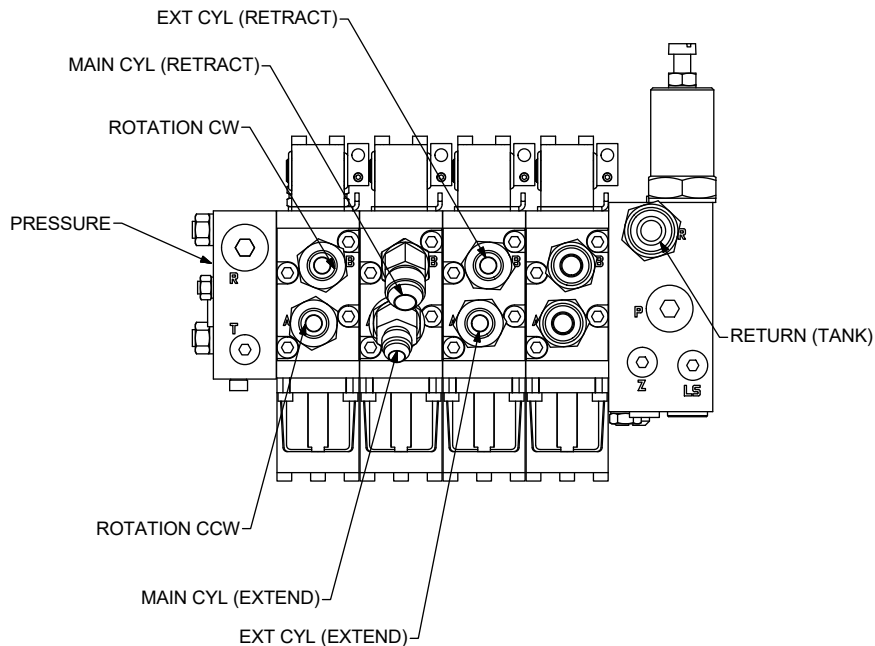
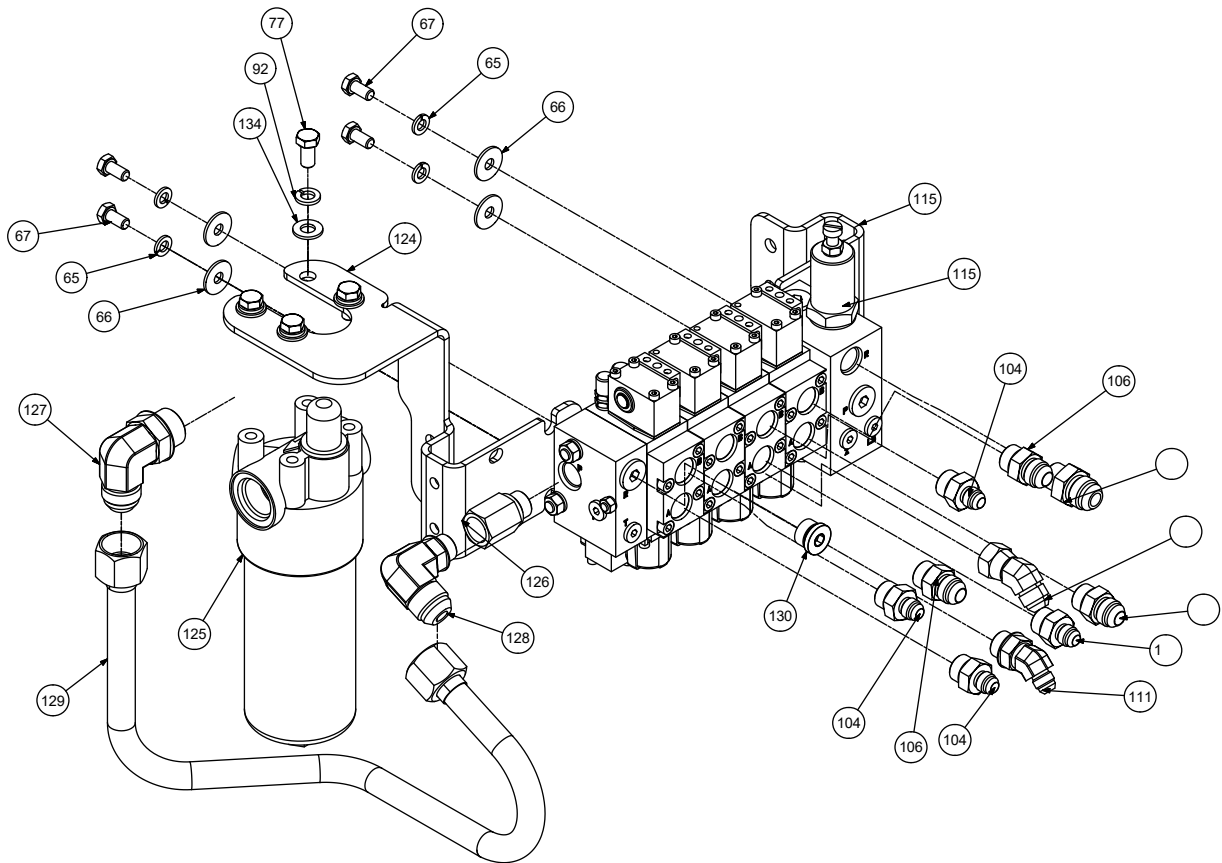
NOTES:

1. USE RUST PREVENTATIVE ON SLIDE STOP, BEARING RACE, BOTTOM OF MAST & TOP OF GEAR BEARING.
2. APPLY BLUE THREAD LOCKER.
3. APPLY GEAR LUBE ON GEAR TEETH.
4. BASE AND MAST ASSEMBLY SHOWN AS MOUNTED ON TRUCK.

7500, Boom Assembly (99904922)



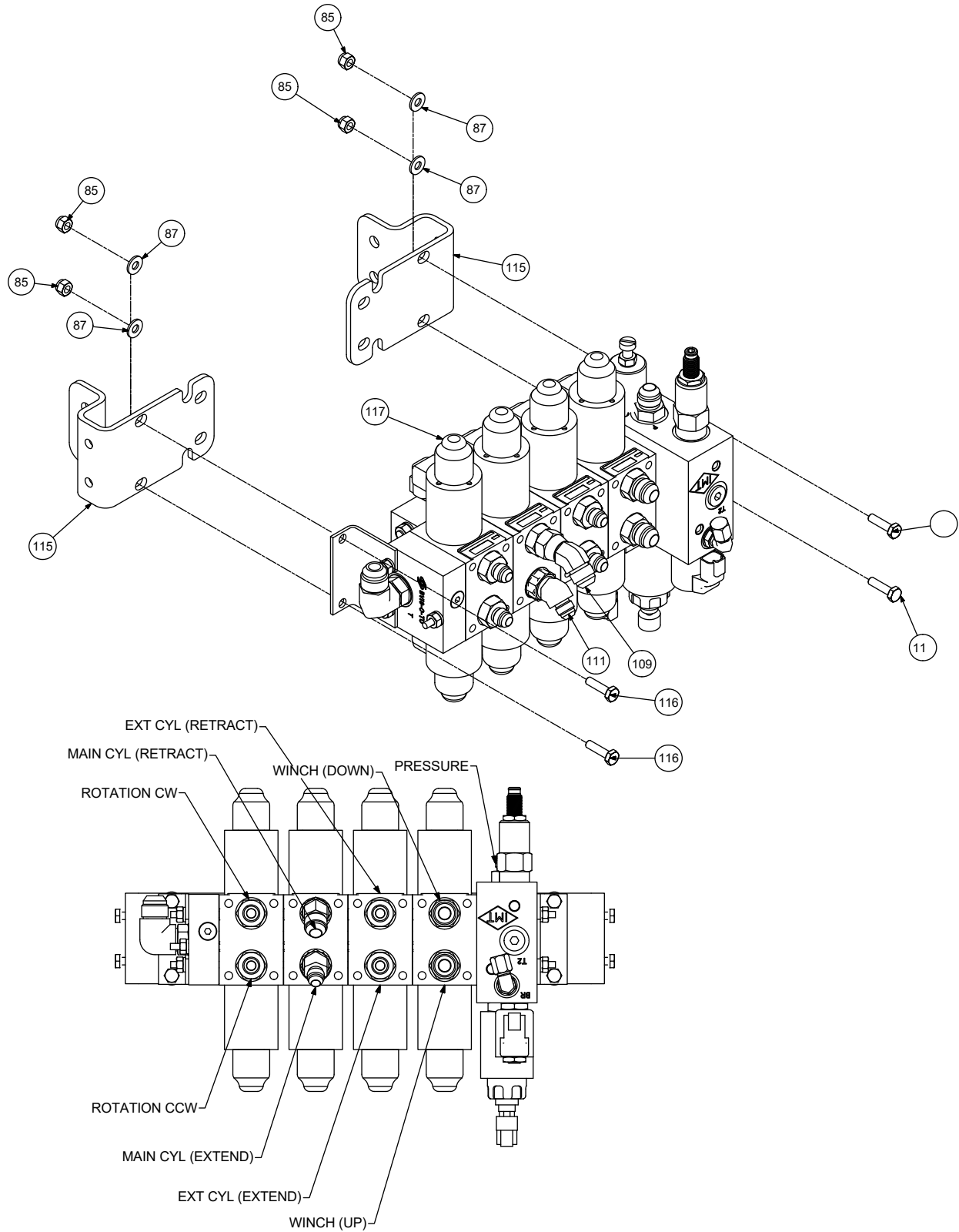
7500, Valve Bank - Fully Proportional (99904922)



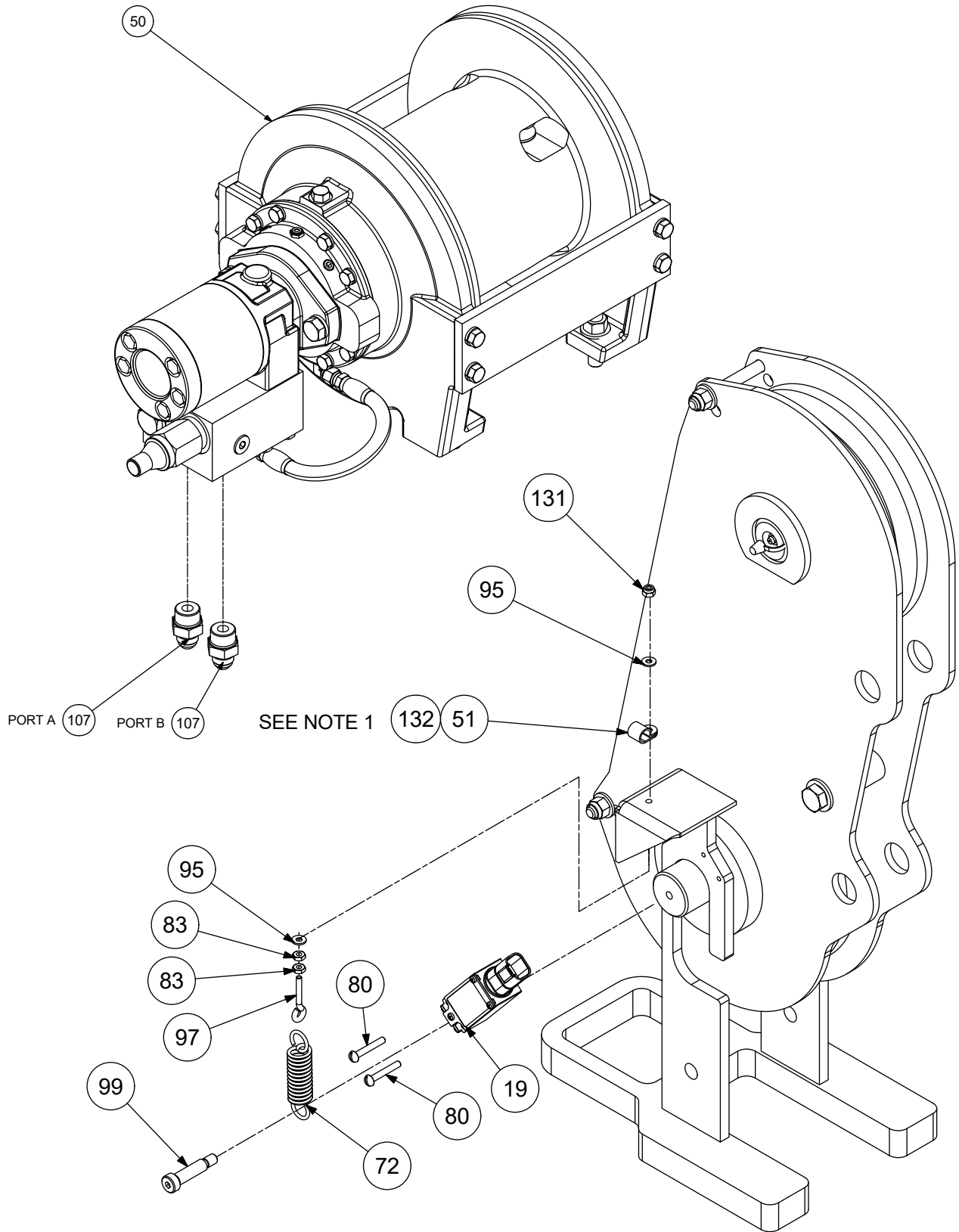
NOTE:

1. INSTALL WIRE HARNESS TO VALVE BANK PRIOR TO INSTALLING VALVE BANK BRACKET.

7500, Valve Bank Assembly - Single Proportional (99904922)



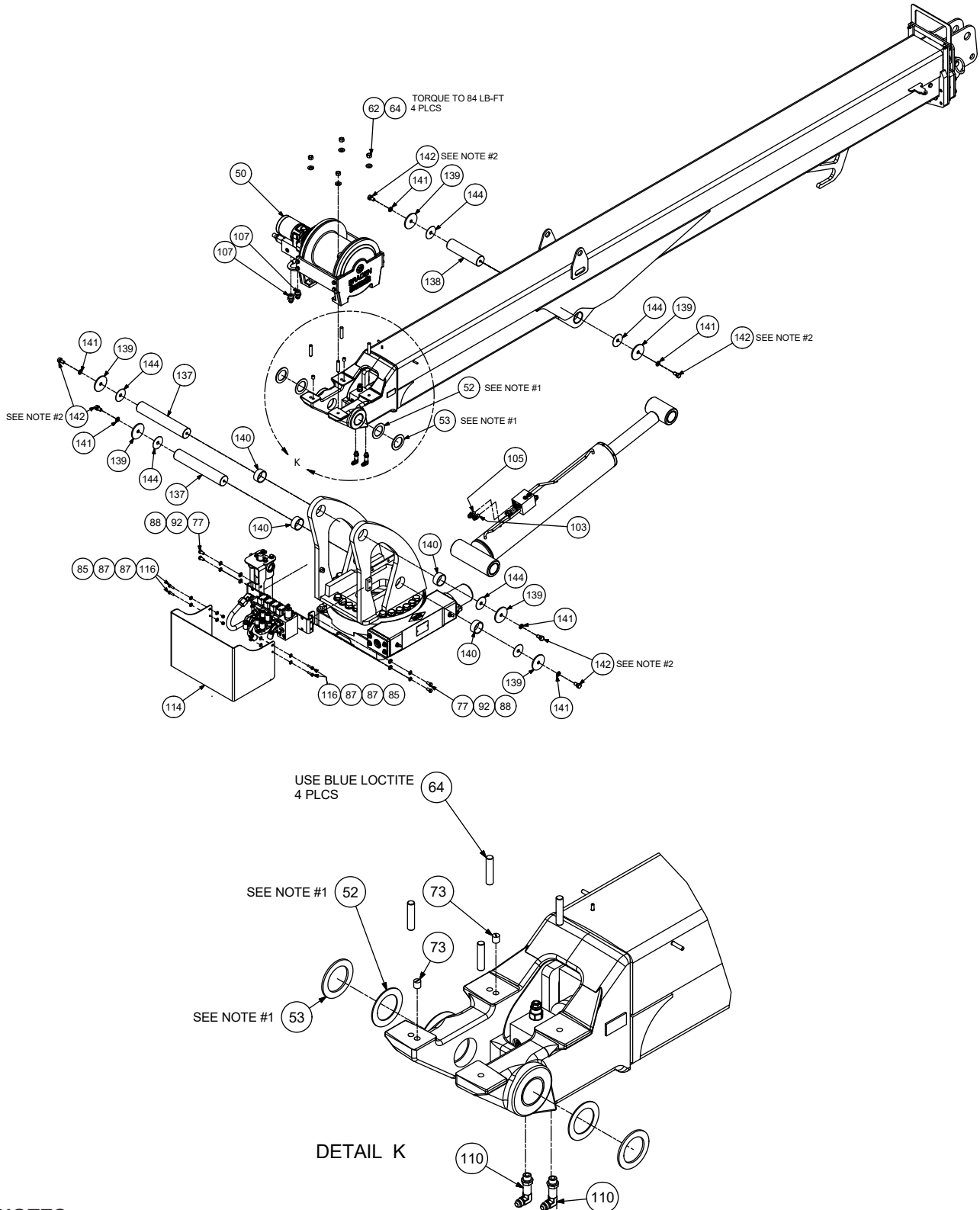
7500, Winch & A2B Assembly (99904922)



NOTE:

1. NO FLOOD LIGHTS: USE CLAMP-PLASTIC .25 CABLE P/N 72034485 WITH FLOOD LIGHTS: USE CLAMP-PLASTIC .38 CABLE P/N 72034572

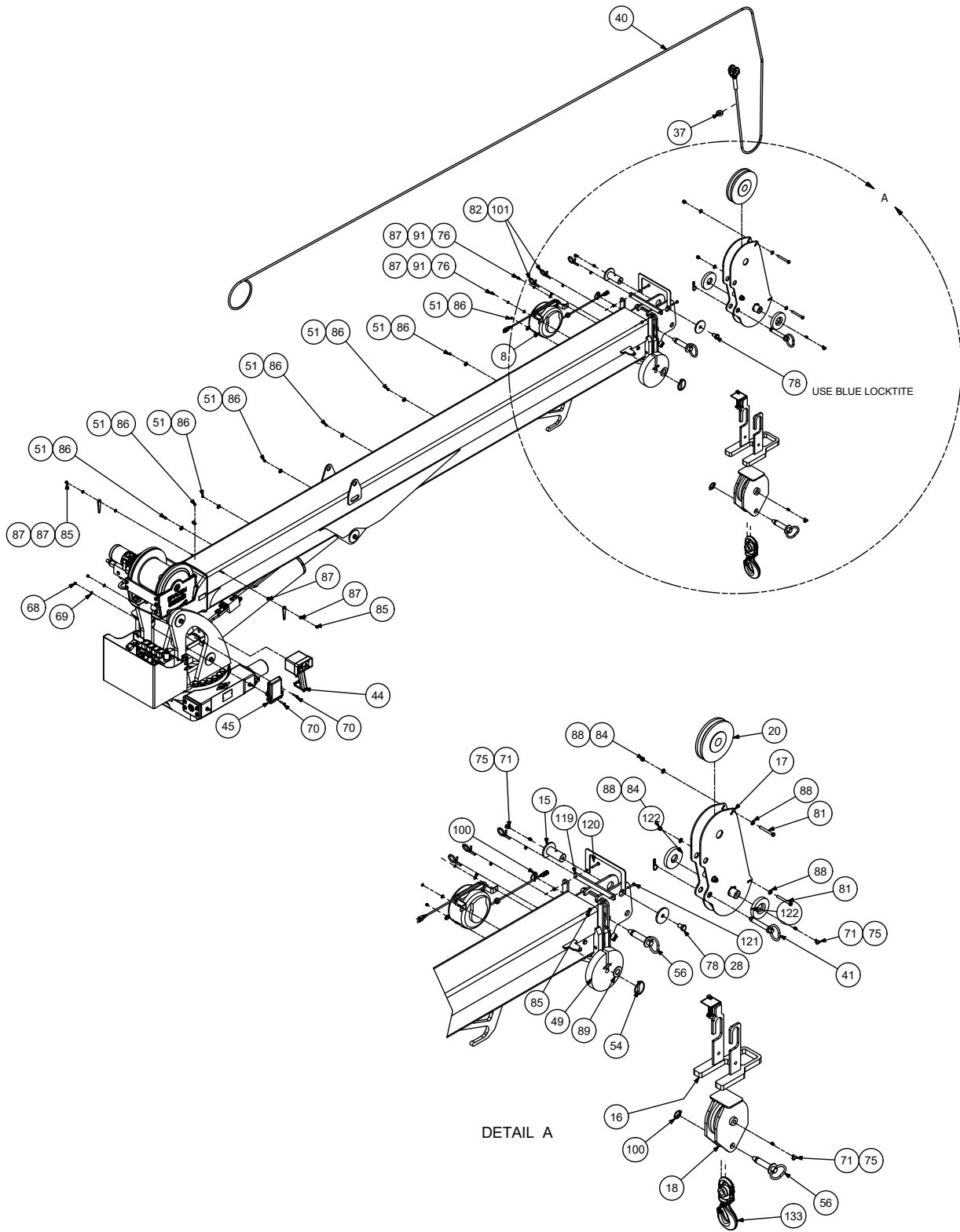
7500, Crane & Winch Assembly (99904922)



NOTES:

- 1. IF REQUIRED USE 72063038 OR 72063039 MACHY BUSHINGS BETWEEN MAST AND LOWER BOOM.
- 2. TORQUE TO 60 LB-FT.

7500, Flip Sheave Assembly (99904922)



99904922 PARTS LIST

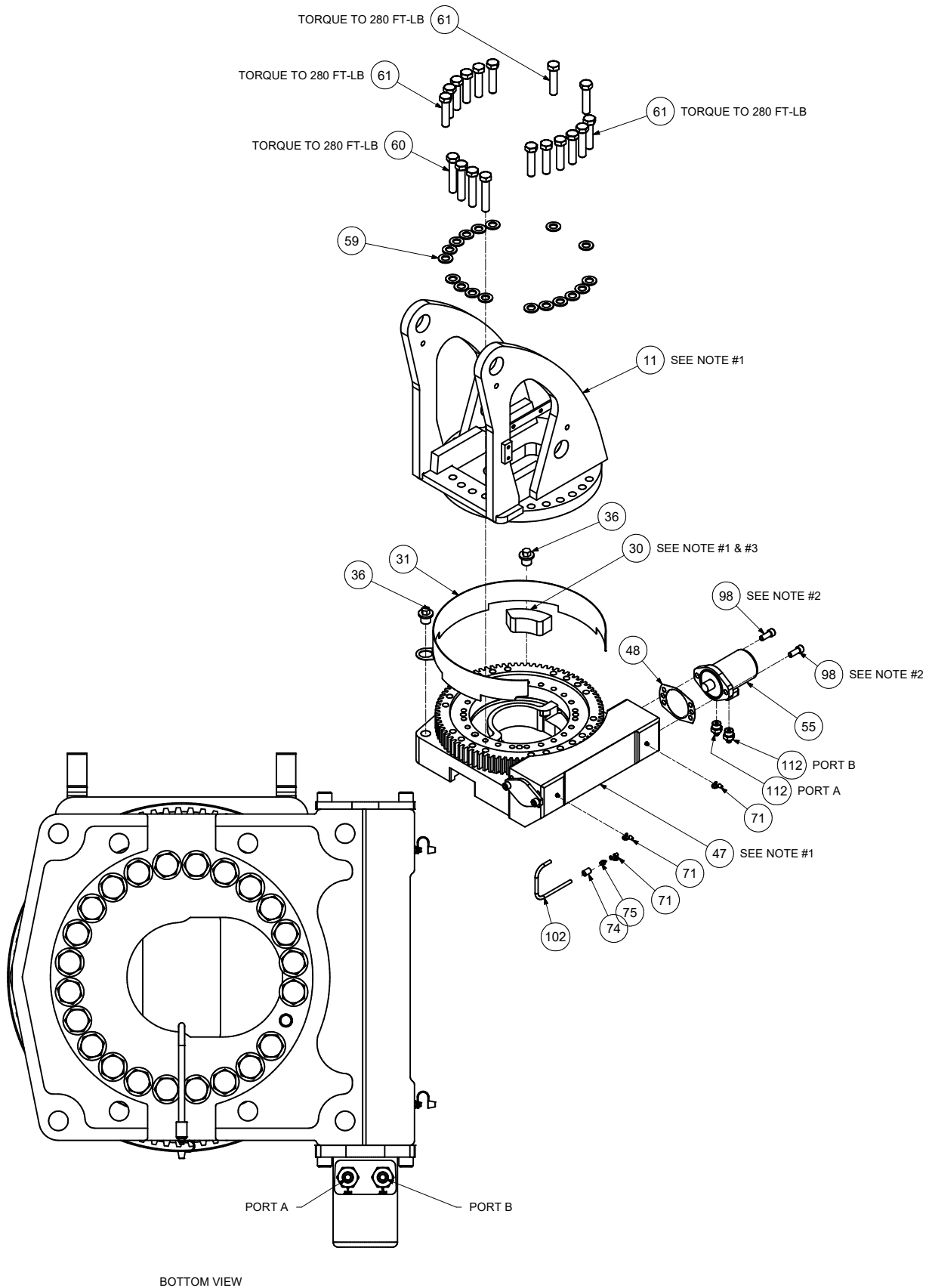
ITEM NO.	PART NO.	DESCRIPTION	KIT NO.	QTY.
1.	91723059	KIT-HRDW BASE & MAST 7500-10000		1
2.	91726834	KIT-HRDW WINCH MNT BG4-BG6		1
3.	91723543	KIT-HRDW VB MNT HAWE		1
4.	51719413	KIT-HRDW TELE CRANE RADIO CONTROLS		1
5.	91725205	KIT-HRDW SERIES III		1
6.	91726825	KIT-HYD BG4-BG6 SERIES III FP		A/R
7.	91726824	KIT-HYD BG4-BG6 SERIES III SP		A/R
8.	51723610	CORD REEL ASM- 30FT W/PACKARD W/DEUTSCH		1
9.	51727887	CYL-4.50/2.25 25.06S 45.52CC		1
10.	51727883	CYL-2.75/1.75 2.50/1.75 204.00S 144.69CC		1
11.	52727809	MAST WLDMNT-SERIES III		1
12.	52727814	WLDMNT-LOWER BOOM 7500/10000		1
13.	52727068	WLDMNT-1ST STAGE EXT BOOM 12000		1
14.	52723024	WLDMNT-2ND STAGE EXT BOOM 7500/10000		1
15.	52723030	PIN-TYPE M 1.50X 3.38		1
16.	52725155	WLDMT- A2B BRKT		1
17.	51727792	FLIP SHEAVE ASM 6000/8600		1
18.	52725065	WLDMT- SNATCH BLOCK 7500/8600		1
19.	51727982	KIT-A2B LIMIT SWITCH NO TOP PIN DEUTSCH		1
20.	60030134	SHEAVE- 8.00 POLYMER		1
21.	60030336	WEAR PAD-RC .19 X 6.00 X 6.00		1
22.	60030337	WEAR PAD-RND 0.19X 2.00X 1.00X 1.00		2
23.	60030421	WEAR PAD-RC 0.25X 6.00X 6.00		1
24.	60030422	WEAR PAD-RND SIII EXT CYL		1
25.	60030423	WEAR PAD-RC 0.25X 6.00X 2.25		4
26.	60030425	WEAR PAD-RND 0.44X 1.25X .50X .50		2
27.	60030428	WEAR PAD-RND 0.25X 2.00X .75X .44		4
28.	60109337	RETAINER PLT-PIN 3.00 DIA		1
29.	70034490	PLATE-ANGLE PLASTIC 3.50"		2
30.	60120138	SLIDE-ROTATION STOP 3816		1
31.	60128849	GEAR GUARD 6025 SII		1
32.	60140899	CAP-LOWER BOOM CABLE GUIDE 9500-14000		1
33.	60135668	CAP-FIRST STAGE		1
34.	60135669	PIN-TYPE A 1.25X 6.89 (6.46)		1
35.	60135833	RETAINER-1ST STAGE EXT CYL		2
36.	70029595	THREADED PLUG 1.00-8 (3816)		2
37.	70145121	COLLAR-SHAFT 2 PIECE 7/8 IN.		1
38.	70399044	TAPE-REFLECTIVE RED/SILVER 1.25X108.00		2
39.	70399045	TAPE-REFLECTIVE RED/SILVER2.00X108.00		2
40.	70580231	WIRE ROPE ASM-GALV .38(6X25) X 130 FT RH XIP		1
41.	73734752	PIN-LOCK W/HANDLE 0.75 X 4.00 W/HAIRPIN		1
42.	70735093	TRANSM-RAD S3 SP EM 5LED FHSS 2400		A/R
43.	70734958	TRANSM-RAD REM TELE S3 FP GATED FHSS 240		A/R
44.	70734957	TRANSM-RAD REM TELE S3 FP NON-G FHSS 240		A/R
45.	70734960	RECEIVER-RAD REM TELE S3 FP FHSS 2400		A/R
46.	70735094	RECEIVER-RAD S3 SP 5LED FHSS 2400		A/R
47.	71056577	GEAR ROTATOR-6025/6625 0.75 BOLTS		1
48.	76039295	GASKET-GEA19 008-10056-1		1
49.	71414204	PLATE-SINGLE SHEAVE (20#) .38 WIRE ROPE		1
50.	70570761	WINCH-PLANETARY 5500 LB LINE PULL		1
51.	72034485	CLAMP-PLASTIC 1/4" CABLE		9
52.	72063038	MACHY BUSHING 2.00X14 GA NR		A/R
53.	72063039	MACHY BUSHING 2.00X10 GA NR		A/R
54.	72661641	PIN-QUICK 5/16-2-1/16 ZINC YELLOW		1
55.	73051919	MOTOR-HYD (101-2638-009)		1
56.	73734565	PIN-LOCK W/HANDLE 1.00 X 3.50 W/HAIRPIN		2
57.	73734727	VALVE BANK-4-SECT PSL2 W OC INLT		A/R
58.	77441481	HARNESS-TELE RADIO REMOTE SERIES III		1
59.	72063116	WASHER .75 N FLAT H ASTM F436Z		22

ITEM NO.	PART NO.	DESCRIPTION	KIT NO.	QTY.
60.	72601629	CAP SCR .75-10X 4.00 HH GR8 Z		4
61.	72601817	CAP SCR .75-10X 3.25 HH GR8 Z		14
62.	72062108	NUT .50-20 HEX GRC Z TOP LOCK	2	4
63.	72063132	WASHER .50 FLAT ASTM F436	2	4
64.	72602138	STUD .50-20X 2.25 DBL .50-13 GR8 STL	2	4
65.	72601797	WASHER-LOCK 8MM		4
66.	72602065	WASHER-FLAT M 8		4
67.	72602052	CAP SCR M 8-1.25X 16 HHZ		4
68.	72062194	NUT-SS .25-20 NYLOC		2
69.	72063166	WASHER-FLAT .25 R WRT 18-8 .62OD SS		2
70.	72601846	CAP SCR .25-20X 1.25 HH SS		2
71.	70034382	CAP-GREASE PRO20 GC-RED		6
72.	71413185	SPRING-.105WIRE 0.75OD 2.875 LG		1
73.	72034479	PLUG-PLSTC .50-13X .50 UNC-2B		2
74.	72053301	COUPLING-GLV .12 SCH 40		1
75.	72053508	ZERK-NPT .12		4
76.	72060000	CAP SCR .25-20X .50 HH GR5 Z		2
77.	72060044	CAP SCR .38-16X .75 HH GR5 Z		8
78.	72060147	CAP SCR .62-11X 1.00 HH GR5 Z		1
79.	72060206	CAP SCR .75-10X 2.00 HH GR8 Z		1
80.	72060639	SCR-MACH 10-24X 1.25 RDH		2
81.	72060893	CAP SCR .38-16X 3.25 HH GR5 Z		2
82.	72062000	NUT .25-20 HEX		3
83.	72062093	NUT # 8-32 HEX ZINC		2
84.	72062103	NUT .38-16 HEX NYLOCK		2
85.	72062104	NUT .25-20 HEX NYLOCK		6
86.	72062106	NUT 10-24 HEX NYLOCK		8
87.	72063001	WASHER .25 FLAT		18
88.	72063003	WASHER .38 FLAT		8
89.	72063010	WASHER 1.00 FLAT		1
90.	72063035	MACHY BUSHING 1.25X10 GA NR		2
91.	72063049	WASHER .25 LOCK		2
92.	72063051	WASHER .38 LOCK		8
93.	72063116	WASHER-FLAT .75 N H ASTM F436 Z		1
94.	72063132	WASHER .50 FLAT ASTM F436		17
95.	72063271	WASHER # 8 W FLAT ANSI B27.2Z		2
96.	72066129	RETAINING RING-EXT 1.25 HD		2
97.	72601938	BOLT-EYE # 8-32X 1.125		1
98.	72601949	CAP SCR .50-13X 1.25 SH ZC		2
99.	72602085	BOLT-SHLDR .38X 1.25 (5/16 THDS) SS		1
100.	72661543	PIN-QUICK 316-10QP		2
101.	72661694	BRIDLE RING 1-1/12ID X 1/4-20		3
102.	51395121	HOSE-AA .13 X 13.50 OAL (2-2)	6	1
103.	72532355	ADPTR-M STR/M JIC 6 6	6	1
104.	72532356	ADPTR-M STR/M JIC 8 6	6	4
105.	72532357	ADPTR-M STR/M JIC 6 8	6	1
106.	72532358	ADPTR-M STR/M JIC 8 8	6	3
107.	72532359	ADPTR-M STR/M JIC 10 8	6	2
108.	72532361	ADPTR-M STR/M JIC 8 10	6	1
109.	72532670	ELBOW-M JIC/45/F JIC 8 8	6	1
110.	72532700	ELBOW-M STR/90/M JIC XLG 6 6	6	2
111.	72533583	ELBOW-M STR/45/M JIC 8 6	6	1
112.	72533613	ADPTR-M STR/M JIC 10 6	6	2
113.	93725207	KIT-CABLE GUIDE 9500/14000		1
114.	60144215	COVER-VALVE BANK SIII		1
115.	60140840	BRKT-MAST VB 7500-10000L		2
116.	72060004	CAP SCR .25-20X 1.00 HH GR5 Z		8
117.	73734472	VALVE BANK-MOD.INLET (PW) 12VDC IP69		A/R
118.	77441537	HARNESS-S3 TELE S-PROP VALVE BANK CERVIS		A/R
121.	72060006	CAP SCR .25-20X 1.50 HH GR5 Z		2
122.	60030486	SPACER-A2B BRACKET		2

ITEM NO.	PART NO.	DESCRIPTION	KIT NO.	QTY.
123.	72062104	NUT .25-20 HEX NYLOCK		2
124.	60143076	BRKT-MAST VB 7500-10000L FP		1
125.	73052156	FILTER-PRES 4000PSI 25GPM 10MIC -12		1
126.	72534898	O-RING EXTENDER 08-08		1
127.	72053767	ELBOW-M STR/90/M JIC 12 12		1
128.	72533623	ELBOW-M STR/90/M JIC 8 12		1
129.	71415691	TUBE ASM-PRESSURE FILTER S3FP LARGE MAST		1
130.	72532686	PLUG-STR SOC HD STL 8 (.75 THD)	6	1
131.	72062207	NUT 8-32 HEX NYLOCK		1
132.	72034572	CLAMP-PLASTIC .38 CABLE		1
133.	70735099	HOOK-SWVL BBRG 5TON W/LATCH		1
134.	72063186	WASHER-FLAT .38 N H ASTM F436		4
135.	72602160	WASHER- LOCK .50 YZ		12
136.	72602158	CAP SCR .50-13X 1.75 HH GR5 YZ		12
137.	70190007	PIN-TYPE AB 2.00 X 11.88 SS		2
138.	70190008	PIN-TYPE AB 2.00 X 7.63 SS		1
139.	70190004	RETAINER PLT-PIN 0.50 X 3.00 DIA SS		6
140.	70034581	BEARING MRP 2.00X2.25X1.00 POLYGON		4
141.	72063144	WASHER-LOCK 1/2 SS	6	6
142.	72602168	CAP SCR HH 1/2-13 UNC - .875 SS 18-8	6	6
143.	60030442	WEAR PAD-RND 0.25X 1.00X .50X .38		2
144.	60030590	WEAR PAD-RND 0.56X 2.44X .03		6
REV. AT CN 1009-3				

This page left intentionally blank

7500, Base & Mast Assembly, Test Stand (99904922)



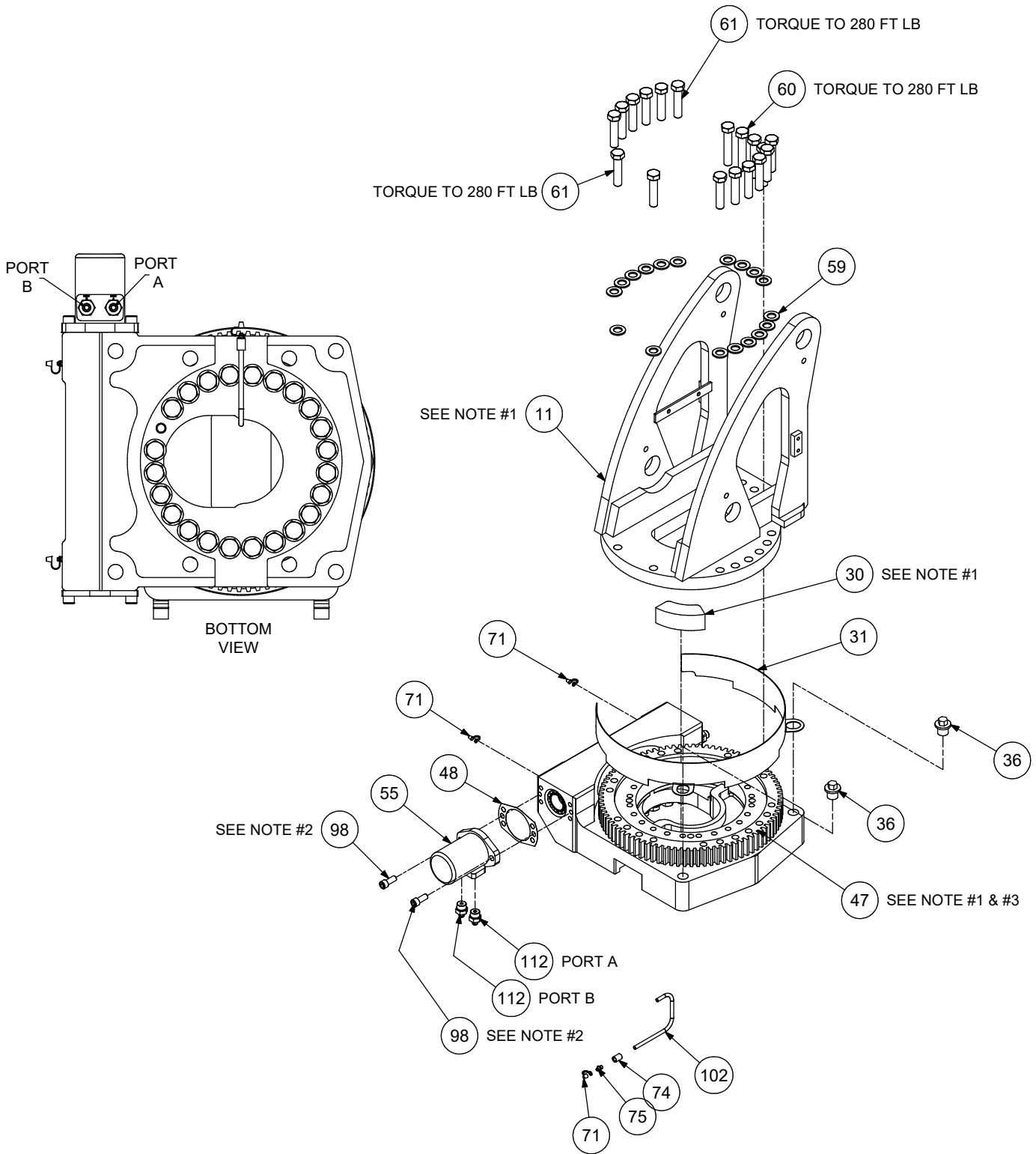
BASE & MAST ASSEMBLY, TEST STAND PARTS LIST (99904922)

ITEM NO.	PART NO.	DESCRIPTION	KIT NO.	QTY.
6.	91726825	KIT-HYD BG4-BG6 SERIES III FP		A/R
11.	52725172	MAST WLDMNT-SERIES III		1
30.	60120138	SLIDE-ROTATION STOP 3816		1
31.	60128849	GEAR GUARD 6025 SII		1
36.	70029595	THREADED PLUG 1.00-8 (3816)		2
47.	71056577	GEAR ROTATOR-6025/6625 0.75 BOLTS		1
48.	76039295	GASKET-GEA19 008-10056-1		1
55.	73051919	MOTOR-HYD (101-2638-009)		1
59	72063116	WASHER .75 N FLAT H ASTM F436Z		22
60	72601629	CAP SCR .75-10X 4.00 HH GR8 Z		4
61	72601817	CAP SCR .75-10X 3.25 HH GR8 Z		14
71	70034382	CAP-GREASE PRO20 GC-RED		6
74	72053301	COUPLING-GLV .12 SCH 40		1
75	72053508	ZERK-NPT .12		4
98	72601949	CAP SCR .50-13X 1.25 SH ZC		2
102	51395121	HOSE-AA .13 X 13.50 OAL (2-2)	6	1
REV. AP CN1111				

NOTE:

1. USE RUST PREVENTATIVE ON SLIDE STOP, BEARING RACE, BOTTOM OF MAST & TOP OF GEAR BEARING.
2. APPLY BLUE THREAD LOCKER.
3. APPLY GEAR LUBE ON GEAR TEETH.
4. BASE AND MAST ASSEMBLY SHOWN AS MOUNTED ON TRUCK.

7500, Base & Mast Assembly, Truck Mount (99904922)



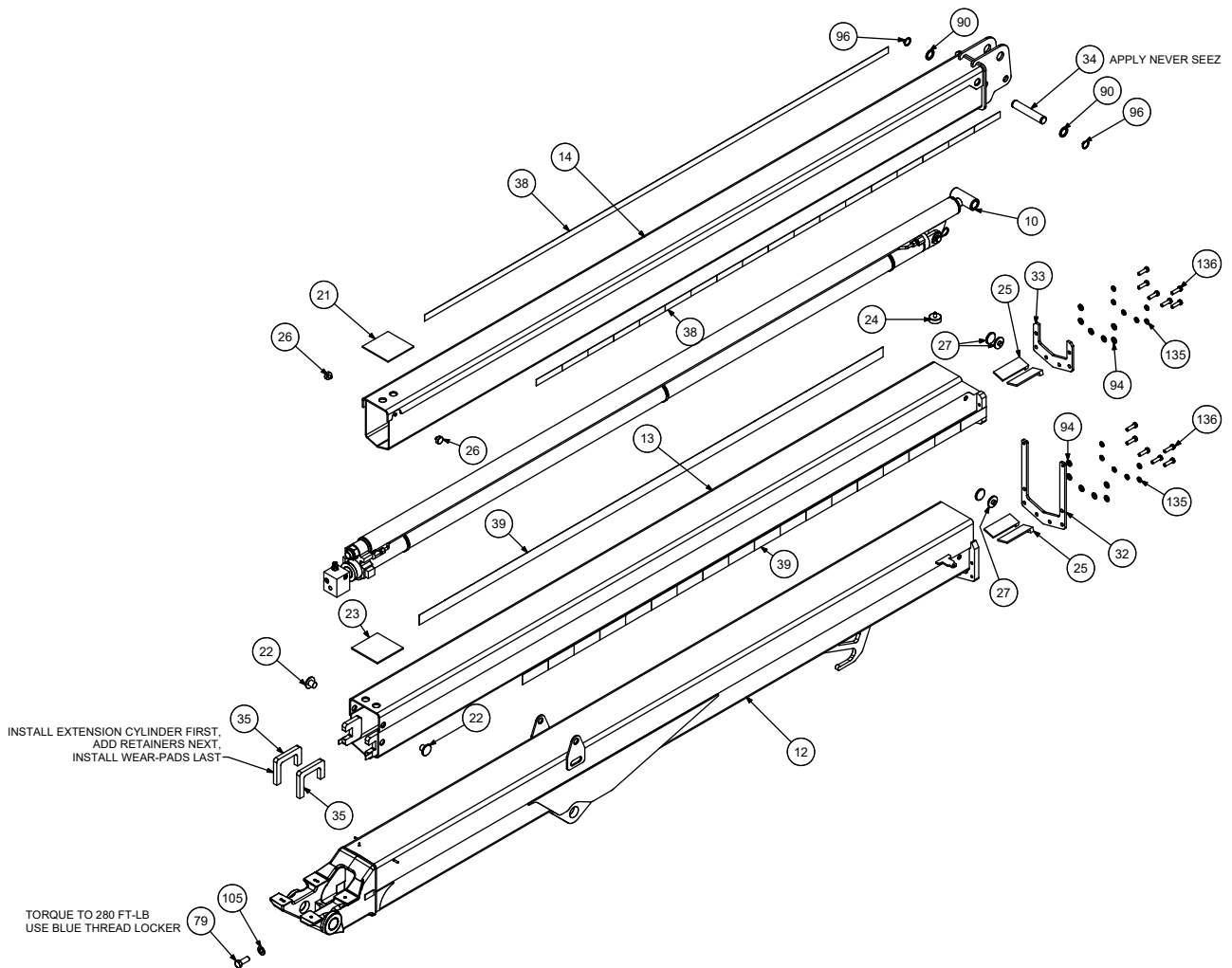
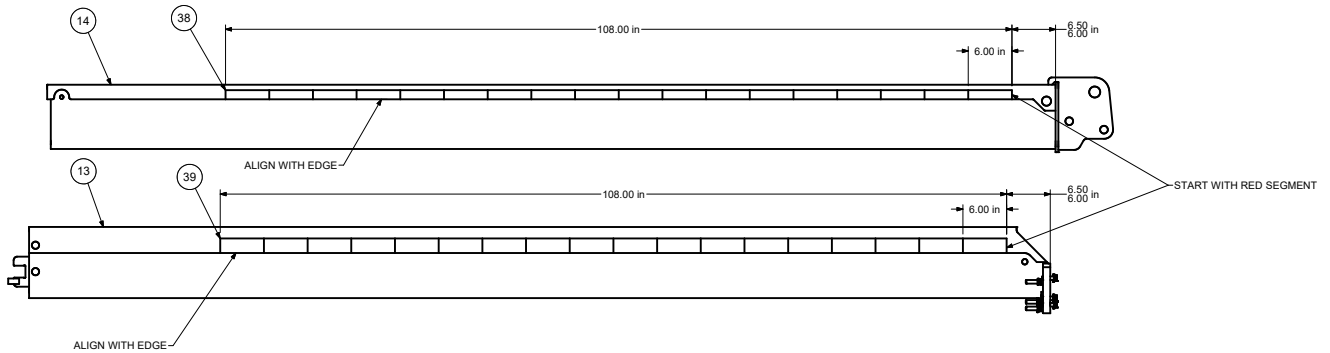
TRUCK MOUNT PARTS LIST (99904922)

ITEM NO.	PART NO.	DESCRIPTION	KIT NO.	QTY.
6.	91726825	KIT-HYD BG4-BG6 SERIES III FP		A/R
11.	52725172	MAST WLDMNT-SERIES III		1
30.	60120138	SLIDE-ROTATION STOP 3816		1
31.	60128849	GEAR GUARD 6025 SII		1
36.	70029595	THREADED PLUG 1.00-8 (3816)		2
47.	71056577	GEAR ROTATOR-6025/6625 0.75 BOLTS		1
48.	76039295	GASKET-GEA19 008-10056-1		1
55.	73051919	MOTOR-HYD (101-2638-009)		1
59.	72063116	WASHER .75 N FLAT H ASTM F436Z		22
60.	72601629	CAP SCR .75-10X 4.00 HH GR8 Z		4
61.	72601817	CAP SCR .75-10X 3.25 HH GR8 Z		14
71.	70034382	CAP-GREASE PRO20 GC-RED		6
74.	72053301	COUPLING-GLV .12 SCH 40		1
75.	72053508	ZERK-NPT .12		4
98.	72601949	CAP SCR .50-13X 1.25 SH ZC		2
102.	51395121	HOSE-AA .13 X 13.50 OAL (2-2)	6	1
112.	72533613	ADPTR-M STR/M JIC 10 6	6	2
REV. AP CN1111				

NOTES:

1. USE RUST PREVENTANTIVE ON SLIDE STOP, BEARING RACE, BOTTOM OF MAST & TOP OF GEAR BEARING.
2. APPLY BLUE THREAD LOCKER.
3. APPLY GEAR LUBE ON GEAR TEETH.
4. BASE AND MAST ASSEMBLY SHOWN AS MOUNTED ON TEST STAND.

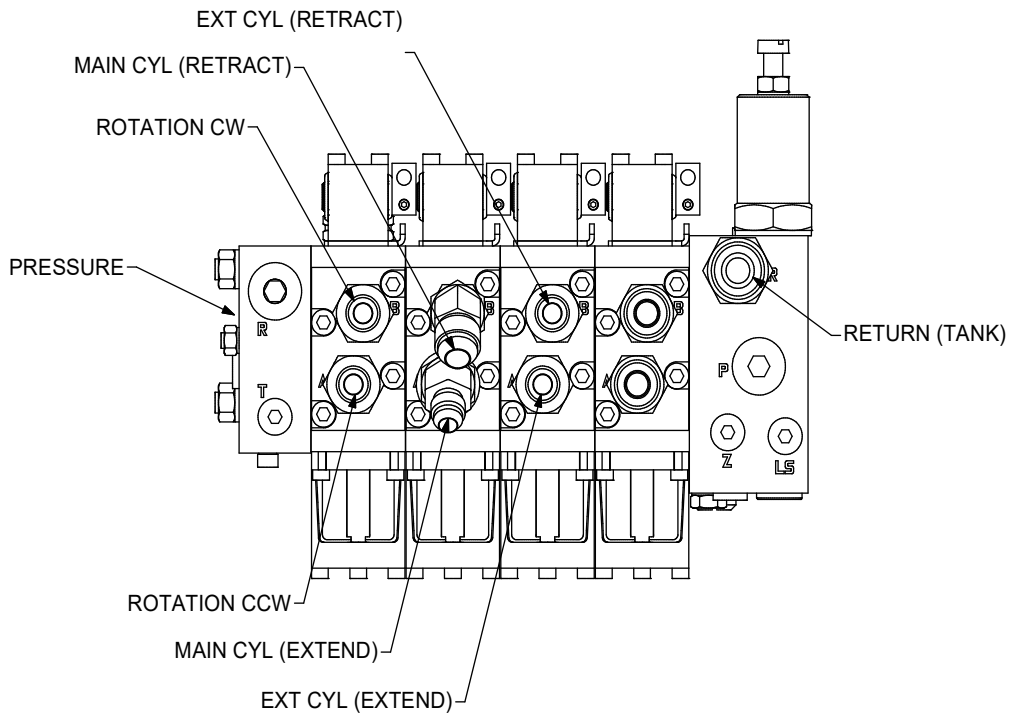
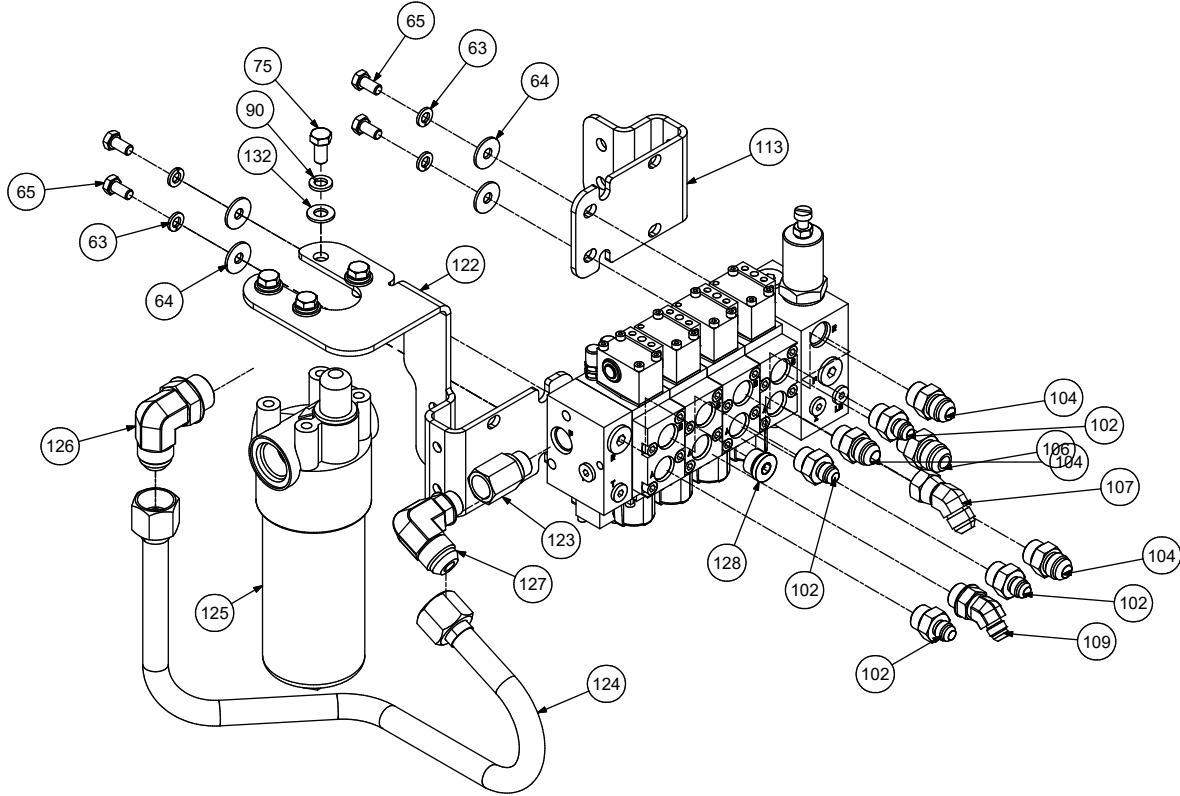
7500, Boom Assembly (99904922)



BOOM ASSEMBLY PARTS LIST(99904922)

ITEM NO.	PART NO.	DESCRIPTION	KIT NO.	QTY.
6.	91726825	KIT-HYD BG4-BG6 SERIES III FP		A/R
10.	51723604	CYL ASM-2.50/1.50 2.75/1.75 204.0S 144.6		1
12.	52725160	WLDMNT-LOWER BOOM 7500/10000		1
13.	52727068	WLDMNT-1st STAGE EXT BOOM 12000		1
14.	52723024	WLDMNT-2nd STAGE EXT BOOM 7500/10000		1
21.	60030336	WEAR PAD-RC .19 X 6.00 X 6.00		1
22.	60030337	WEAR PAD-RND 0.19X 2.00X 1.00X 1.00		2
23.	60030421	WEAR PAD-RC 0.25X 6.00X 6.00		1
24.	60030422	WEAR PAD-RND SIII EXT CYL		1
25.	60030423	WEAR PAD-RC 0.25X 6.00X 2.25		4
26..	60030425	WEAR PAD-RND 0.44X 1.25X .50X .50		2
27.	60030428	WEAR PAD-RND 0.25X 2.00X .75X .44		4
32.	60140899	CAP-LOWER BOOM CABLE GUIDE 9500-14000		1
33.	60135668	CAP-FIRST STAGE		1
34.	60135669	PIN-TYPE A 1.25X 6.89 (6.46)		1
35.	60135833	RETAINER-1st STAGE EXT CYL		2
38.	70399044	TAPE-REFLECTIVE RED/SILVER 1.25X108.00		2
39.	70399045	TAPE-REFLECTIVE RED/SILVER2.00X108.00		2
79.	72060206	CAP SCR .75-10X 2.00 HH GR8 Z		1
90.	72063035	MACHY BUSHING 1.25X10 GA NR		2
94.	72063132	WASHER .50 FLAT ASTM F436		17
96.	72066129	RETAINING RING-EXT 1.25 HD		2
105.	72532357	ADPTR-M STR/M JIC 6 8	6	1
135.	72602160	WASHER- LOCK .50 YZ		12
136.	72602158	CAP SCR .50-13X 1.75 HH GR5 YZ		12
REV. AP CN1111				

7500, Valve Bank - Fully Proportional (99904922)



FULLY PROPORTIONAL VALVE BANK ASSEMBLY

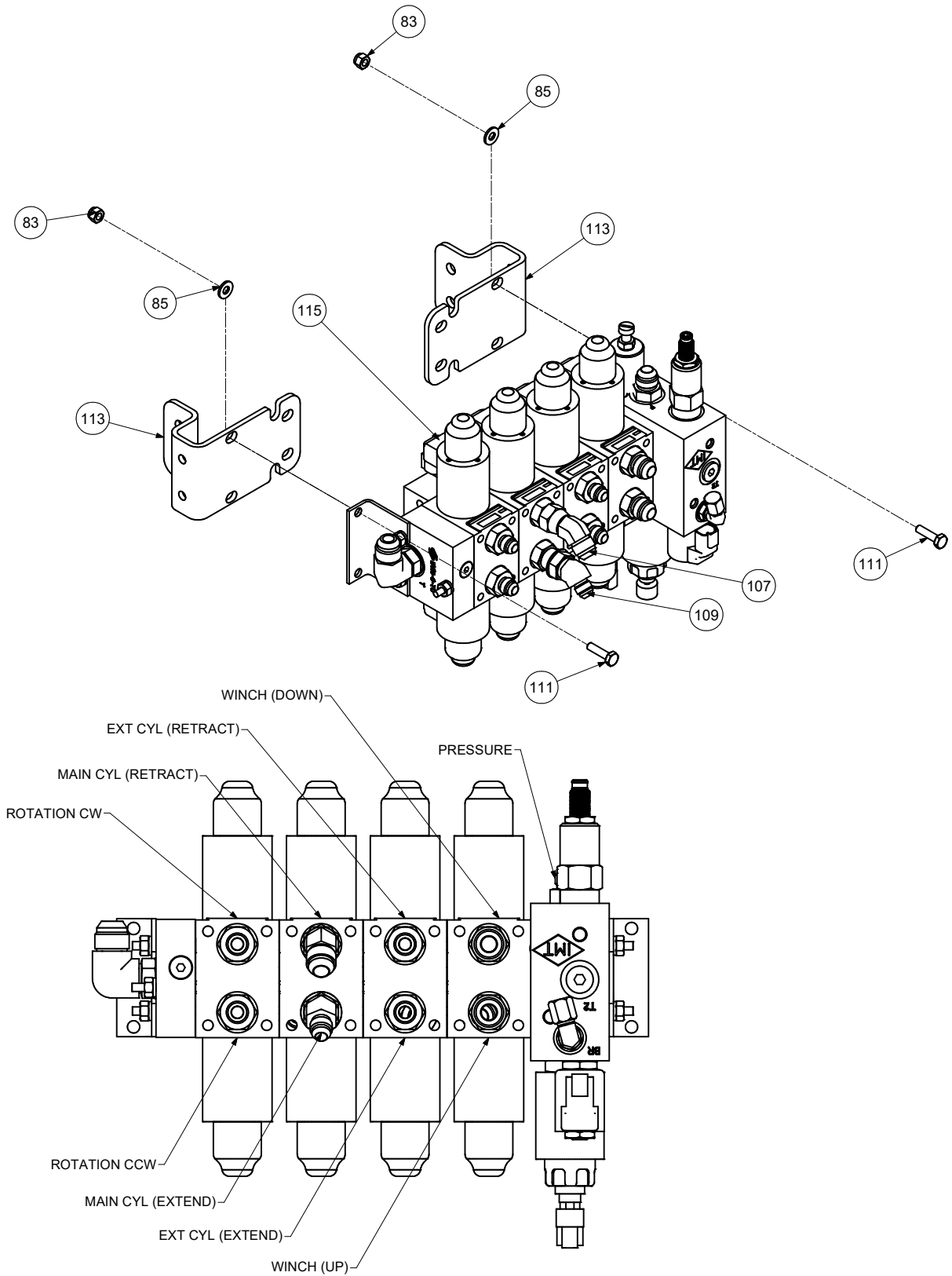
VALVE BANK - FULLY PROPORTIONAL PARTS LIST (99904922)

ITEM NO.	PART NO.	DESCRIPTION	KIT NO.	QTY.
6.	91726825	KIT-HYD BG4-BG6 SERIES III FP		A/R
65.	72601797	WASHER-LOCK 8MM		4
66.	72602065	WASHER-FLAT M 8		4
67.	72602052	CAP SCR M 8-1.25X 16 HHZ		4
77.	72060044	CAP SCR .38-16X .75 HH GR5 Z		8
92.	72063051	WASHER .38 LOCK		8
104.	72532356	ADPTR-M STR/M JIC 8 6	6	4
106.	72532358	ADPTR-M STR/M JIC 8 8	6	3
108.	72532361	ADPTR-M STR/M JIC 8 10	6	1
109.	72532670	ELBOW-M JIC/45/F JIC 8 8	6	1
111.	72533583	ELBOW-M STR/45/M JIC 8 6	6	1
115.	60140840	BRKT-MAST VB 7500-10000L		2
124.	60143076	BRKT-MAST VB 7500-10000L FP		1
125.	73052156	FILTER-PRES 4000PSI 25GPM 10MIC -12		1
126.	72534898	O-RING EXTENDER 08-08		1
127.	72053767	ELBOW-M STR/90/M JIC 12 12		1
128.	72533623	ELBOW-M STR/90/M JIC 8 12		1
129.	71415691	TUBE ASM-PRESSURE FILTER S3FP LARGE MAST		1
130.	72532686	PLUG-STR SOC HD STL 8 (.75 THD)	6	1
134.	72063186	WASHER-FLAT .38 N H ASTM F436		4
REV. AP CN1111				

NOTE:

1. INSTALL WIRE HARNESS TO VALVE BANK PRIOR TO INSTALLING VALVE BANK BRACKET.

7500, Valve Bank Assembly - Single Proportional (99904922)



SINGLE PROPORTIONAL VALVE BANK ASSEMBLY

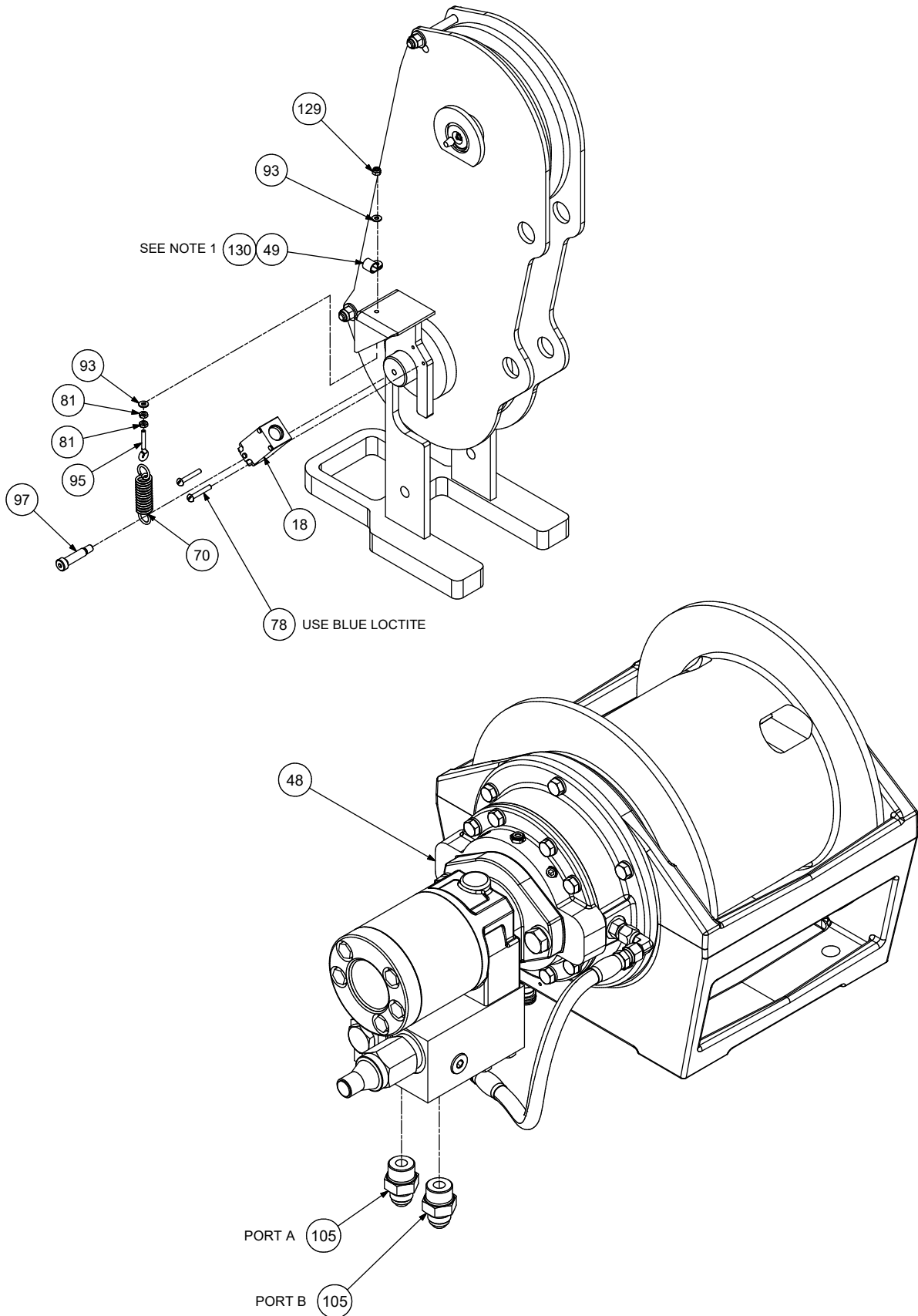
VALVE BANK ASSEMBLY - SINGLE PROPORTIONAL PARTS LIST (99904922)

ITEM NO.	PART NO.	DESCRIPTION	KIT NO.	QTY.
6.	91726825	KIT-HYD BG4-BG6 SERIES III FP		A/R
85.	72062104	NUT .25-20 HEX NYLOCK		6
87.	72063001	WASHER .25 FLAT		18
109.	72532670	ELBOW-M JIC/45/F JIC 8 8	6	1
111.	72533583	ELBOW-M STR/45/M JIC 8 6	6	1
115.	60140840	BRKT-MAST VB 7500-10000L		2
116.	72060004	CAP SCR .25-20X 1.00 HH GR5 Z		8
117.	73734472	VALVE BANK-MOD.INLET (PW) 12VDC IP69		A/R
REV. AP CN1111				

NOTE:

1. INSTALL WIRE HARNESS TO VALVE BANK PRIOR TO INSTALLING VALVE BANK BRACKET.

7500, Winch & A2B Assembly (99904922)



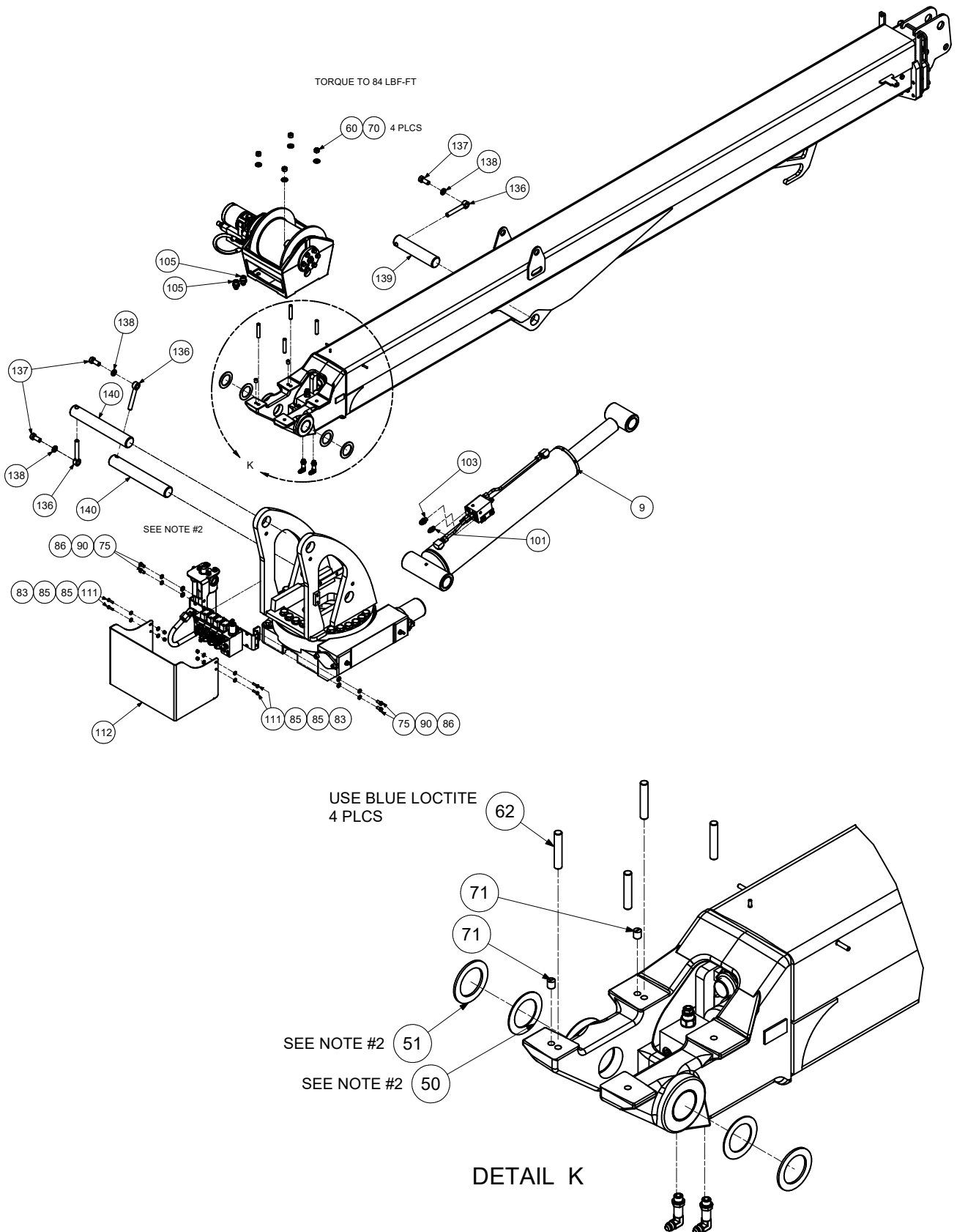
WINCH & A2B ASSEMBLY PARTS LIST (99904922)

ITEM NO.	PART NO.	DESCRIPTION	KIT NO.	QTY.
6.	91726825	KIT-HYD BG4-BG6 SERIES III FP		A/R
19.	51727982	KIT-A2B LIMIT SWITCH		1
50.	70570761	WINCH-PLANETARY 5500 LB LINE PULL		1
51.	72034485	CLAMP-PLASTIC 1/4" CABLE		9
72.	71413185	SPRING-.105WIRE 0.75OD 2.875 LG		1
80.	72060639	SCR-MACH 10-24X 1.25 RDH		2
83.	72062093	NUT # 8-32 HEX ZINC		2
95.	72063271	WASHER # 8 W FLAT ANSI B27.2Z		2
97.	72601938	BOLT-EYE # 8-32X 1.125		1
99.	72602085	BOLT-SHLDR .38X 1.25 (5/16 thds) SS		1
107.	72532359	ADPTR-M STR/M JIC 10 8	6	2
131.	72062207	NUT 8-32 HEX NYLOCK		1
132.	72034572	CLAMP-PLASTIC .38 CABLE		1
REV. AP CN1111				

NOTE:

1. NO FLOOD LIGHTS: USE CLAMP-PLASTIC .25 CABLE , P/N: 72034485.
2. WITH FLOOD LIGHTS: USE CLAMP-PLASTIC .38 CABLE, P/N: 72034572.

7500, Crane & Winch Assembly (99904922)



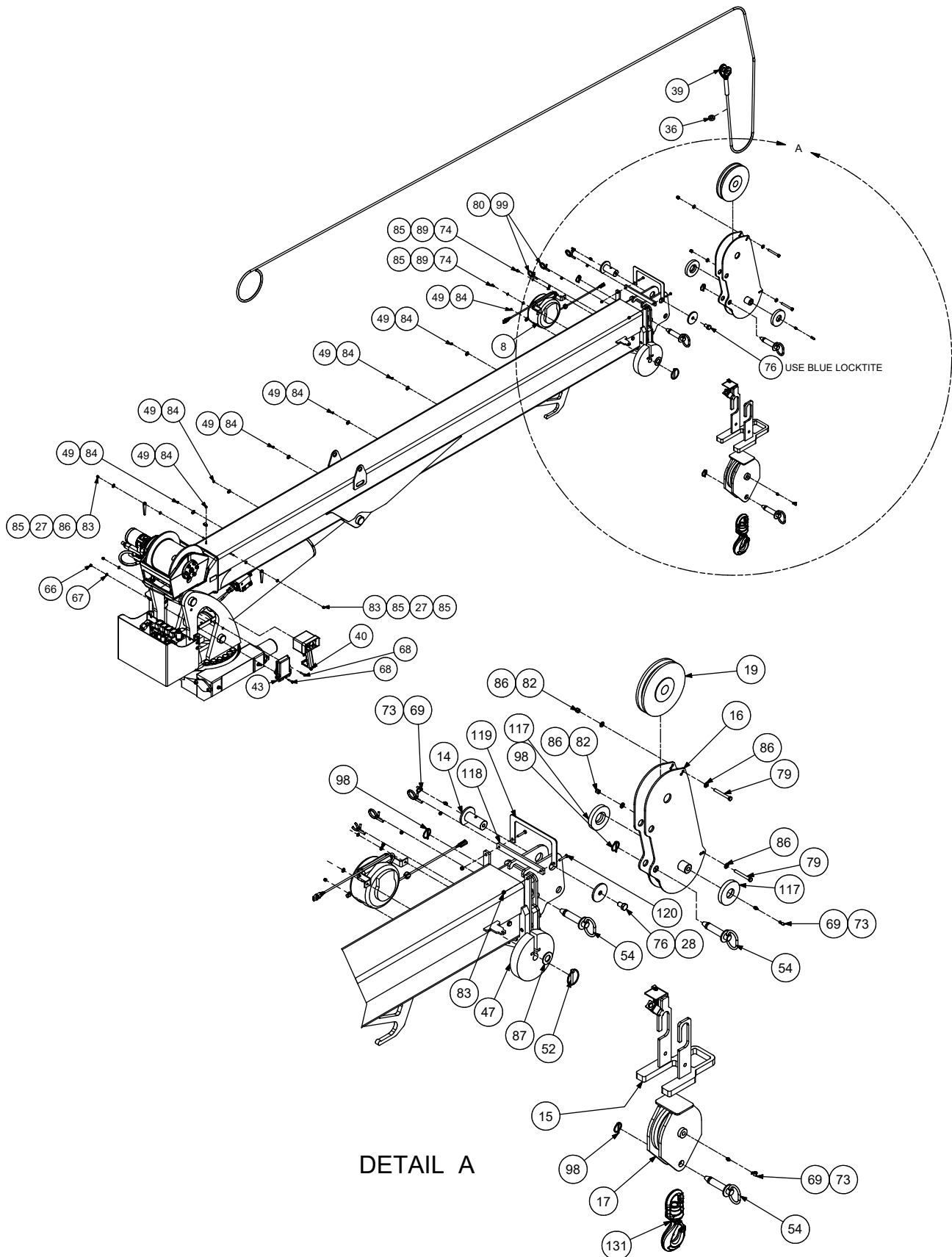
CRANE & WINCH ASSEMBLY PARTS LIST (99904922)

ITEM NO.	PART NO.	DESCRIPTION	KIT NO.	QTY.
2.	91726834	KIT-HRDW WINCH MNT BG4-BG6		1
6.	91726825	KIT-HYD BG4-BG6 SERIES III FP		A/R
9.	51722975	CYL-4.50/2.2 25.06S 45.52CC C		1
50.	70570761	WINCH-PLANETARY 5500 LB LINE PULL		1
52.	72063038	MACHY BUSHING 2.00X14 GA NR		A/R
53.	72063039	MACHY BUSHING 2.00X10 GA NR		A/R
62.	72062108	NUT .50-20 HEX GRC Z TOP LOCK	2	4
64.	72602138	STUD .50-20X 2.25 DBL .50-13 GR8 STL	2	4
73.	72034479	PLUG-PLSTC .50-13X .50 UNC-2B		2
77.	72060044	CAP SCR .38-16X .75 HH GR5 Z		8
85.	72062104	NUT .25-20 HEX NYLOCK		6
87.	72063001	WASHER .25 FLAT		18
88.	72063003	WASHER .38 FLAT		8
92.	72063051	WASHER .38 LOCK		8
103.	72532355	ADPTR-M STR/M JIC 6 6	6	1
105.	72532357	ADPTR-M STR/M JIC 6 8	6	1
107.	72532359	ADPTR-M STR/M JIC 10 8	6	2
110.	72532700	ELBOW-M STR/90/M JIC XLG 6 6	6	2
114.	60144215	COVER-VALVE BANK SIII		1
116.	72060004	CAP SCR .25-20X 1.00 HH GR5 Z		8
137.	71415016	KEEPER-PIN .62		3
138.	72063053	WASHER-LOCK ZINC 1/2		3
139.	72060093	CAP SCR HH 1/2-13 UNC - 1.50 GR5 Z		3
140.	60140916	PIN-TYPE NN 2.00X 9.50		1
141.	60140915	PIN-TYPE NN 2.00X13.75		2
REV. AP CN1111				

NOTES:

1. APPLY ANTI-SEEZ TO BOOM AND CYLINDER MOUNTING PINS.DO NOT ALLOW ANTI-SEEZ TO COME IN CONTACT WITH BOOM OR CYLINDER PIN BOSS BEARINGS.
2. IF REQUIRED USE 72063038 OR 72063039 BETWEEN MAST AND LOWER BOOM.z

7500, Flip Sheave Assembly (99904922)



DETAIL A

FLIP SHEAVE ASSEMBLY PARTS LIST

ITEM NO.	PART NO.	DESCRIPTION	KIT NO.	QTY.
15.	52723030	PIN-TYPE M 1.50X 3.38		1
16.	52725155	WLDMT- A2B BRKT		1
17.	52725153	WLDMT-FLIP SHEAVE 7500/8600		1
18.	52725065	WLDMT- SNATCH BLOCK 7500/8600		1
19.	51727982	KIT-A2B LIMIT SWITCH		1
20.	60030134	SHEAVE- 8.00 POLYMER		1
28.	60109337	RETAINER PLT-PIN 3.00 DIA		1
37.	70145121	COLLAR-SHAFT 2 PIECE 7/8 in.		1
40.	70580202	WIRE ROPE ASM-.38(6X25)X130ft LH LAY		1
41.	73734752	PIN-LOCK W/HANDLE 0.75 X 4.00 W/HAIRPIN		1
44.	70734957	TRANSM-RAD REM TELE S3 FP NON-G FHSS 240		A/R
45.	70734960	RECEIVER-RAD REM TELE S3 FP FHSS 2400		A/R
49.	71414204	PLATE-SINGLE SHEAVE (20#) .38 WIRE ROPE		1
51.	72034485	CLAMP-PLASTIC 1/4" CABLE		9
54.	72661641	PIN-QUICK 5/16-2-1/16 ZINC YELLOW		1
56.	73734565	PIN-LOCK W/HANDLE 1.00 X 3.50 W/HAIRPIN		2
68.	72062194	NUT-SS .25-20 NYLOC		2
69.	72063166	WASHER-FLAT .25 R WRT 18-8 .62OD SS		2
70.	72601846	CAP SCR .25-20X 1.25 HH SS		2
71.	70034382	CAP-GREASE PRO20 GC-RED		6
75.	72053508	ZERK-NPT .12		4
76.	72060000	CAP SCR .25-20X .50 HH GR5 Z		2
78.	72060147	CAP SCR .62-11X 1.00 HH GR5 Z		1
81.	72060893	CAP SCR .38-16X 3.25 HH GR5 Z		2
82.	72062000	NUT .25-20 HEX		3
84.	72062103	NUT .38-16 HEX NYLOCK		2
85.	72062104	NUT .25-20 HEX NYLOCK		6
86.	72062106	NUT 10-24 HEX NYLOCK		8
87.	72063001	WASHER .25 FLAT		18
88.	72063003	WASHER .38 FLAT		8
89.	72063010	WASHER 1.00 FLAT		1
91.	72063049	WASHER .25 LOCK		2
100.	72661543	PIN-QUICK 316-10QP		2
101.	72661694	BRIDLE RING 1-1/12ID X 1/4-20		3
119.	60140935	GUIDE - CABLE WEAR (WIDE)		1
120.	60140938	BRKT - CABLE GUIDE (WIDE)		1
121.	72060006	CAP SCR .25-20X 1.50 HH GR5 Z		2
122.	60030486	SPACER-A2B BRACKET		2
132.	72034572	CLAMP-PLASTIC .38 CABLE		1
133.	70735099	HOOK-SWVL POS LOCK BBRG 5TON		1
REV. AP CN1111				

99904922 COMPLETE PARTS LIST

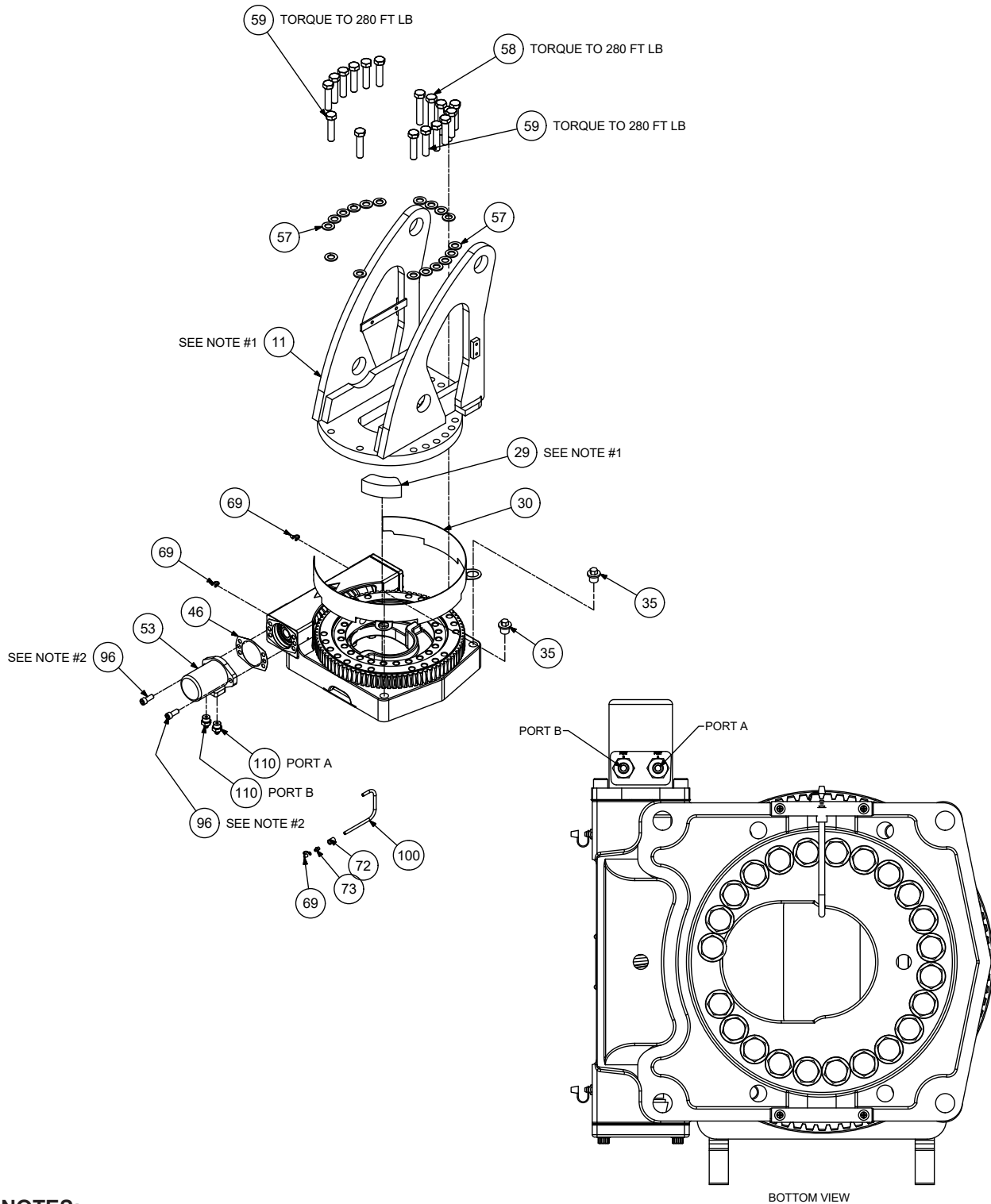
ITEM NO.	PART NO.	DESCRIPTION	KIT NO.	QTY.
1.	91723059	KIT-HRDW BASE & MAST 7500-10000		1
2.	91726834	KIT-HRDW WINCH MNT BG4-BG6		1
3.	91723543	KIT-HRDW VB MNT HAWE		1
4.	51719413	KIT-HRDW TELE CRANE RADIO CONTROLS		1
5.	91725205	KIT-HRDW SERIES III		1
6.	91726825	KIT-HYD BG4-BG6 SERIES III FP		A/R
7.	91726824	KIT-HYD BG4-BG6 SERIES III SP		A/R
8.	51723610	CORD REEL ASM- 30FT W/PACKARD W/DEUTSCH		1
9.	51722975	CYL-4.50/2.2 25.06S 45.52CC C		1
10.	51723604	CYL ASM-2.50/1.50 2.75/1.75 204.0S 144.6		1
11.	52725172	MAST WLDMNT-SERIES III		1
12.	52725160	WLDMNT-LOWER BOOM 7500/10000		1
13.	52727068	WLDMNT-1st STAGE EXT BOOM 12000		1
14.	52723024	WLDMNT-2nd STAGE EXT BOOM 7500/10000		1
15.	52723030	PIN-TYPE M 1.50X 3.38		1
16.	52725155	WLDMT- A2B BRKT		1
17.	52725153	WLDMT-FLIP SHEAVE 7500/8600		1
18.	52725065	WLDMT- SNATCH BLOCK 7500/8600		1
19.	51727982	KIT-A2B LIMIT SWITCH		1
20.	60030134	SHEAVE- 8.00 POLYMER		1
21.	60030336	WEAR PAD-RC .19 X 6.00 X 6.00		1
22.	60030337	WEAR PAD-RND 0.19X 2.00X 1.00X 1.00		2
23.	60030421	WEAR PAD-RC 0.25X 6.00X 6.00		1
24.	60030422	WEAR PAD-RND SIII EXT CYL		1
25.	60030423	WEAR PAD-RC 0.25X 6.00X 2.25		4
26.	60030425	WEAR PAD-RND 0.44X 1.25X .50X .50		2
27.	60030428	WEAR PAD-RND 0.25X 2.00X .75X .44		4
28.	60109337	RETAINER PLT-PIN 3.00 DIA		1
29.	70034490	PLATE-ANGLE PLASTIC 3.50"		2
30.	60120138	SLIDE-ROTATION STOP 3816		1
31.	60128849	GEAR GUARD 6025 SII		1
32.	60140899	CAP-LOWER BOOM CABLE GUIDE 9500-14000		1
33.	60135668	CAP-FIRST STAGE		1
34.	60135669	PIN-TYPE A 1.25X 6.89 (6.46)		1
35.	60135833	RETAINER-1st STAGE EXT CYL		2
36.	70029595	THREADED PLUG 1.00-8 (3816)		2
37.	70145121	COLLAR-SHAFT 2 PIECE 7/8 in.		1
38.	70399044	TAPE-REFLECTIVE RED/SILVER 1.25X108.00		2
39.	70399045	TAPE-REFLECTIVE RED/SILVER2.00X108.00		2
40.	70580202	WIRE ROPE ASM-.38(6X25)X130ft LH LAY		1
41.	73734752	PIN-LOCK W/HANDLE 0.75 X 4.00 W/HAIRPIN		1
42.	70735093	TRANSM-RAD S3 SP EM 5LED FHSS 2400		A/R
43.	70734958	TRANSM-RAD REM TELE S3 FP GATED FHSS 240		A/R
44.	70734957	TRANSM-RAD REM TELE S3 FP NON-G FHSS 240		A/R
45.	70734960	RECEIVER-RAD REM TELE S3 FP FHSS 2400		A/R
46.	70735094	RECEIVER-RAD S3 SP 5LED FHSS 2400		A/R
47.	71056577	GEAR ROTATOR-6025/6625 0.75 BOLTS		1
48.	76039295	GASKET-GEA19 008-10056-1		1
49.	71414204	PLATE-SINGLE SHEAVE (20#) .38 WIRE ROPE		1
50.	70570761	WINCH-PLANETARY 5500 LB LINE PULL		1
51.	72034485	CLAMP-PLASTIC 1/4" CABLE		9
52.	72063038	MACHY BUSHING 2.00X14 GA NR		A/R
53.	72063039	MACHY BUSHING 2.00X10 GA NR		A/R
54.	72661641	PIN-QUICK 5/16-2-1/16 ZINC YELLOW		1
55.	73051919	MOTOR-HYD (101-2638-009)		1
56.	73734565	PIN-LOCK W/HANDLE 1.00 X 3.50 W/HAIRPIN		2
57.	73734727	VALVE BANK-4-SECT PSL2 W OC INLT		A/R
58.	77441481	HARNESS-TELE RADIO REMOTE SERIES III		1
59.	72063116	WASHER .75 N FLAT H ASTM F436Z		22

ITEM NO.	PART NO.	DESCRIPTION	KIT NO.	QTY.
60.	72601629	CAP SCR .75-10X 4.00 HH GR8 Z		4
61.	72601817	CAP SCR .75-10X 3.25 HH GR8 Z		14
62.	72062108	NUT .50-20 HEX GRC Z TOP LOCK	2	4
63.	72063132	WASHER .50 FLAT ASTM F436	2	4
64.	72602138	STUD .50-20X 2.25 DBL .50-13 GR8 STL	2	4
65.	72601797	WASHER-LOCK 8MM		4
66.	72602065	WASHER-FLAT M 8		4
67.	72602052	CAP SCR M 8-1.25X 16 HHZ		4
68.	72062194	NUT-SS .25-20 NYLOC		2
69.	72063166	WASHER-FLAT .25 R WRT 18-8 .62OD SS		2
70.	72601846	CAP SCR .25-20X 1.25 HH SS		2
71.	70034382	CAP-GREASE PRO20 GC-RED		6
72.	71413185	SPRING-.105WIRE 0.75OD 2.875 LG		1
73.	72034479	PLUG-PLSTC .50-13X .50 UNC-2B		2
74.	72053301	COUPLING-GLV .12 SCH 40		1
75.	72053508	ZERK-NPT .12		4
76.	72060000	CAP SCR .25-20X .50 HH GR5 Z		2
77.	72060044	CAP SCR .38-16X .75 HH GR5 Z		8
78.	72060147	CAP SCR .62-11X 1.00 HH GR5 Z		1
79.	72060206	CAP SCR .75-10X 2.00 HH GR8 Z		1
80.	72060639	SCR-MACH 10-24X 1.25 RDH		2
81.	72060893	CAP SCR .38-16X 3.25 HH GR5 Z		2
82.	72062000	NUT .25-20 HEX		3
83.	72062093	NUT # 8-32 HEX ZINC		2
84.	72062103	NUT .38-16 HEX NYLOCK		2
85.	72062104	NUT .25-20 HEX NYLOCK		6
86.	72062106	NUT 10-24 HEX NYLOCK		8
87.	72063001	WASHER .25 FLAT		18
88.	72063003	WASHER .38 FLAT		8
89.	72063010	WASHER 1.00 FLAT		1
90.	72063035	MACHY BUSHING 1.25X10 GA NR		2
91.	72063049	WASHER .25 LOCK		2
92.	72063051	WASHER .38 LOCK		8
93.	72063116	WASHER-FLAT .75 N H ASTM F436 Z		1
94.	72063132	WASHER .50 FLAT ASTM F436		17
95.	72063271	WASHER # 8 W FLAT ANSI B27.2Z		2
96.	72066129	RETAINING RING-EXT 1.25 HD		2
97.	72601938	BOLT-EYE # 8-32X 1.125		1
98.	72601949	CAP SCR .50-13X 1.25 SH ZC		2
99.	72602085	BOLT-SHLDR .38X 1.25 (5/16 thds) SS		1
100.	72661543	PIN-QUICK 316-10QP		2
101.	72661694	BRIDLE RING 1-1/12ID X 1/4-20		3
102.	51395121	HOSE-AA .13 X 13.50 OAL (2-2)	6	1
103.	72532355	ADPTR-M STR/M JIC 6 6	6	1
104.	72532356	ADPTR-M STR/M JIC 8 6	6	4
105.	72532357	ADPTR-M STR/M JIC 6 8	6	1
106.	72532358	ADPTR-M STR/M JIC 8 8	6	3
107.	72532359	ADPTR-M STR/M JIC 10 8	6	2
108.	72532361	ADPTR-M STR/M JIC 8 10	6	1
109.	72532670	ELBOW-M JIC/45/F JIC 8 8	6	1
110.	72532700	ELBOW-M STR/90/M JIC XLG 6 6	6	2
111.	72533583	ELBOW-M STR/45/M JIC 8 6	6	1
112.	72533613	ADPTR-M STR/M JIC 10 6	6	2
113.	93725207	KIT-CABLE GUIDE 9500/14000		1
114.	60144215	COVER-VALVE BANK SIII		1
115.	60140840	BRKT-MAST VB 7500-10000L		2
116.	72060004	CAP SCR .25-20X 1.00 HH GR5 Z		8
117.	73734472	VALVE BANK-MOD.INLET (PW) 12VDC IP69		A/R
118.	77441537	HARNESS-S3 TELE S-PROP VALVE BANK CERVIS		A/R
119.	60140935	GUIDE - CABLE WEAR (WIDE)		1
120.	60140938	BRKT - CABLE GUIDE (WIDE)		1

ITEM NO.	PART NO.	DESCRIPTION	KIT NO.	QTY.
121.	72060006	CAP SCR .25-20X 1.50 HH GR5 Z		2
122.	60030486	SPACER-A2B BRACKET		2
123.	72062104	NUT .25-20 HEX NYLOCK		2
124.	60143076	BRKT-MAST VB 7500-10000L FP		1
125.	73052156	FILTER-PRES 4000PSI 25GPM 10MIC -12		1
126.	72534898	O-RING EXTENDER 08-08		1
127.	72053767	ELBOW-M STR/90/M JIC 12 12		1
128.	72533623	ELBOW-M STR/90/M JIC 8 12		1
129.	71415691	TUBE ASM-PRESSURE FILTER S3FP LARGE MAST	6	1
130.	72532686	PLUG-STR SOC HD STL 8 (.75 THD)		1
131.	72062207	NUT 8-32 HEX NYLOCK		1
132.	72034572	CLAMP-PLASTIC .38 CABLE		1
133.	70735099	HOOK-SWVL POS LOCK BBRG 5TON		1
134.	72063186	WASHER-FLAT .38 N H ASTM F436		4
135.	72602160	WASHER- LOCK .50 YZ		12
136.	72602158	CAP SCR .50-13X 1.75 HH GR5 YZ		12
137.	71415016	KEEPER-PIN .62		3
138.	72063053	WASHER-LOCK ZINC 1/2		3
139.	72060093	CAP SCR HH 1/2-13 UNC - 1.50 GR5 Z		3
140.	60140916	PIN-TYPE NN 2.00X 9.50		1
141.	60140915	PIN-TYPE NN 2.00X13.75		2
REV. AP CN1111				

This page left intentionally blank

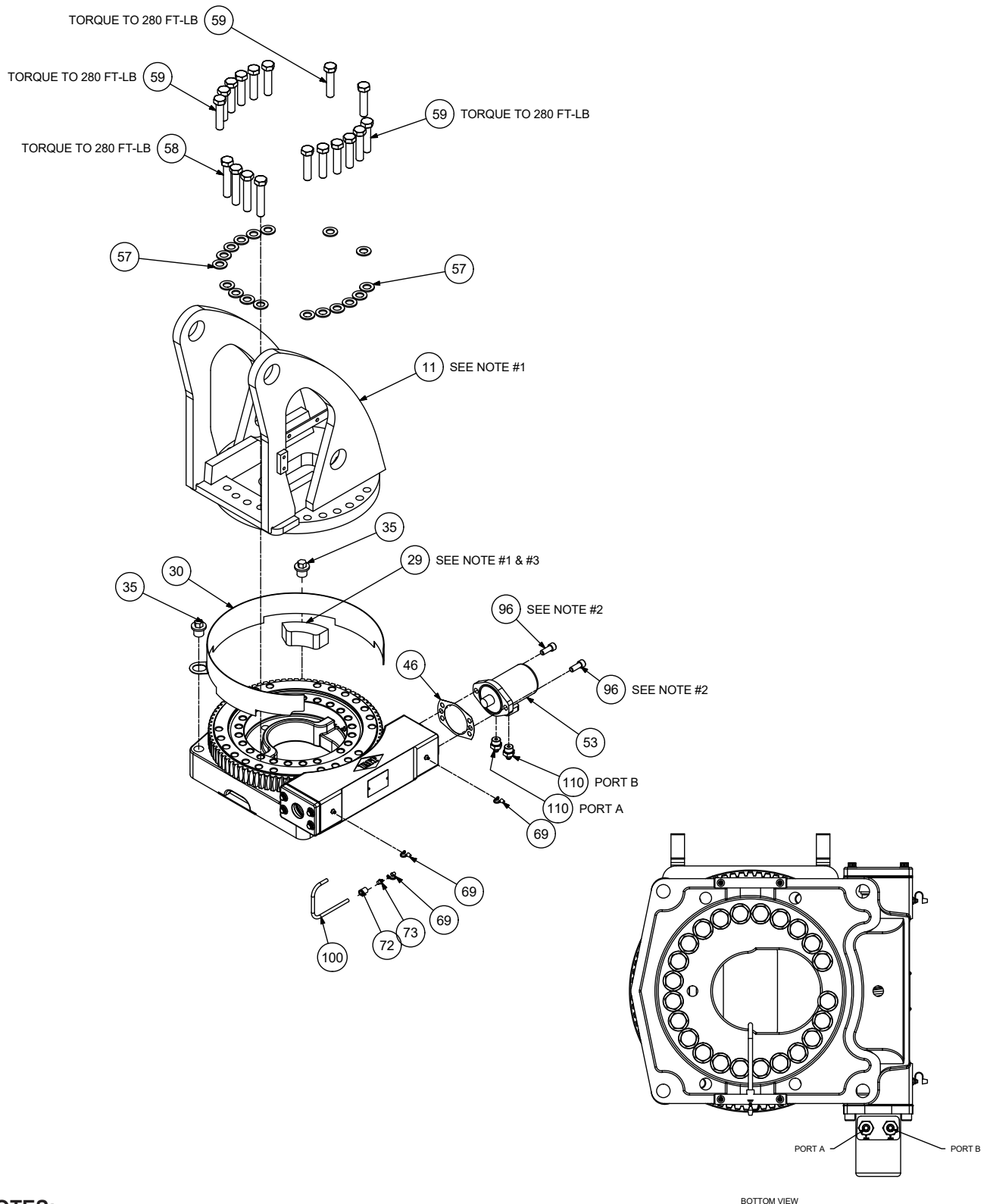
10000, Base & Mast Assembly, Test Stane (99904925)



NOTES:

1. USE RUST PREVENTATIVE ON SLIDE STOP, BEARING RACE, BOTTOM OF MAST & TOP OF GEAR BEARING.
2. APPLY BLUE THREAD LOCKER.
3. APPLY GEAR LUBE ON GEAR TEETH.
4. BASE AND MAST ASSEMBLY SHOWN AS MOUNTED ON TEST STAND.

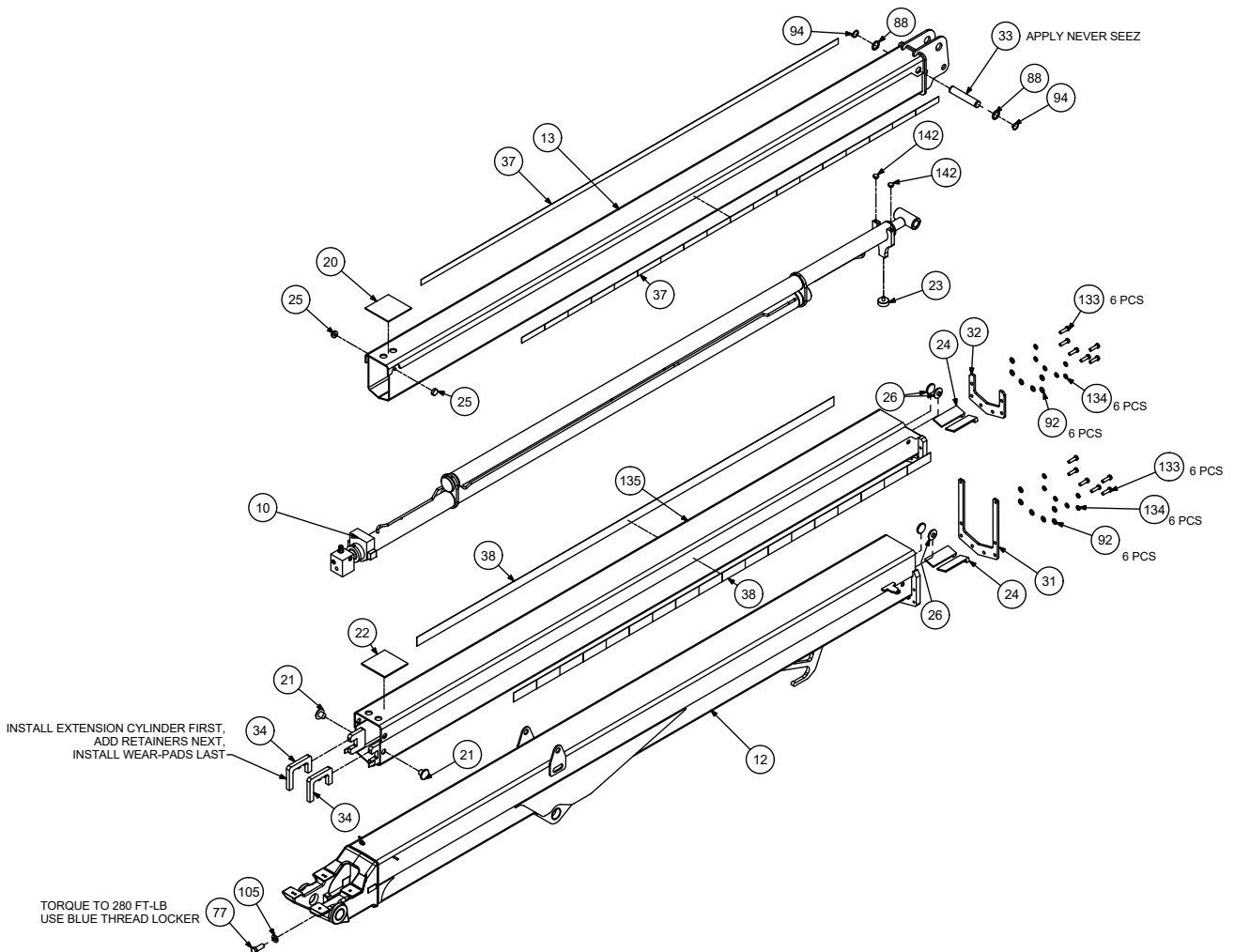
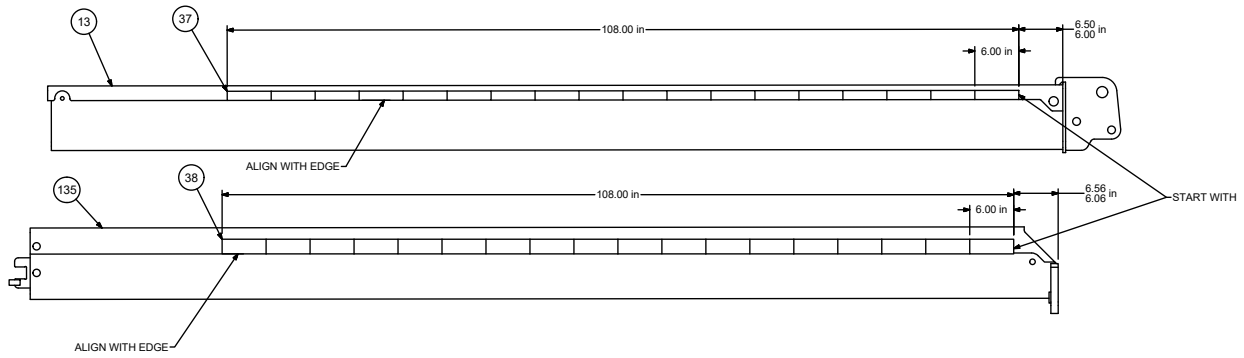
10000, Base & Mast Assembly, Truck Mount (99904925)



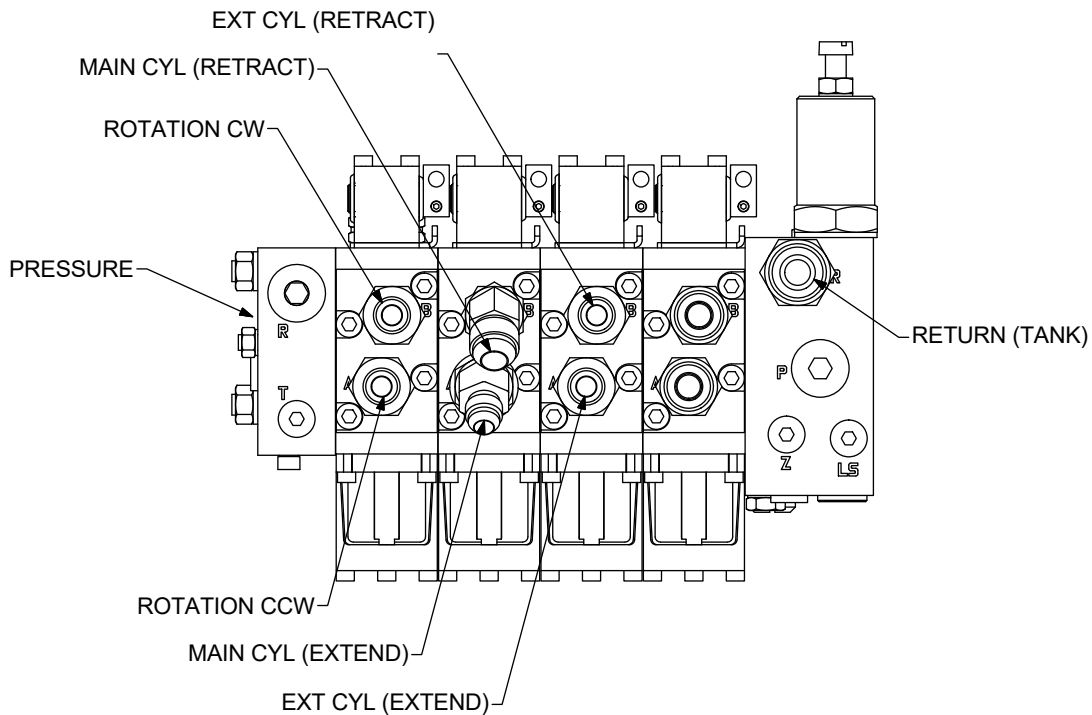
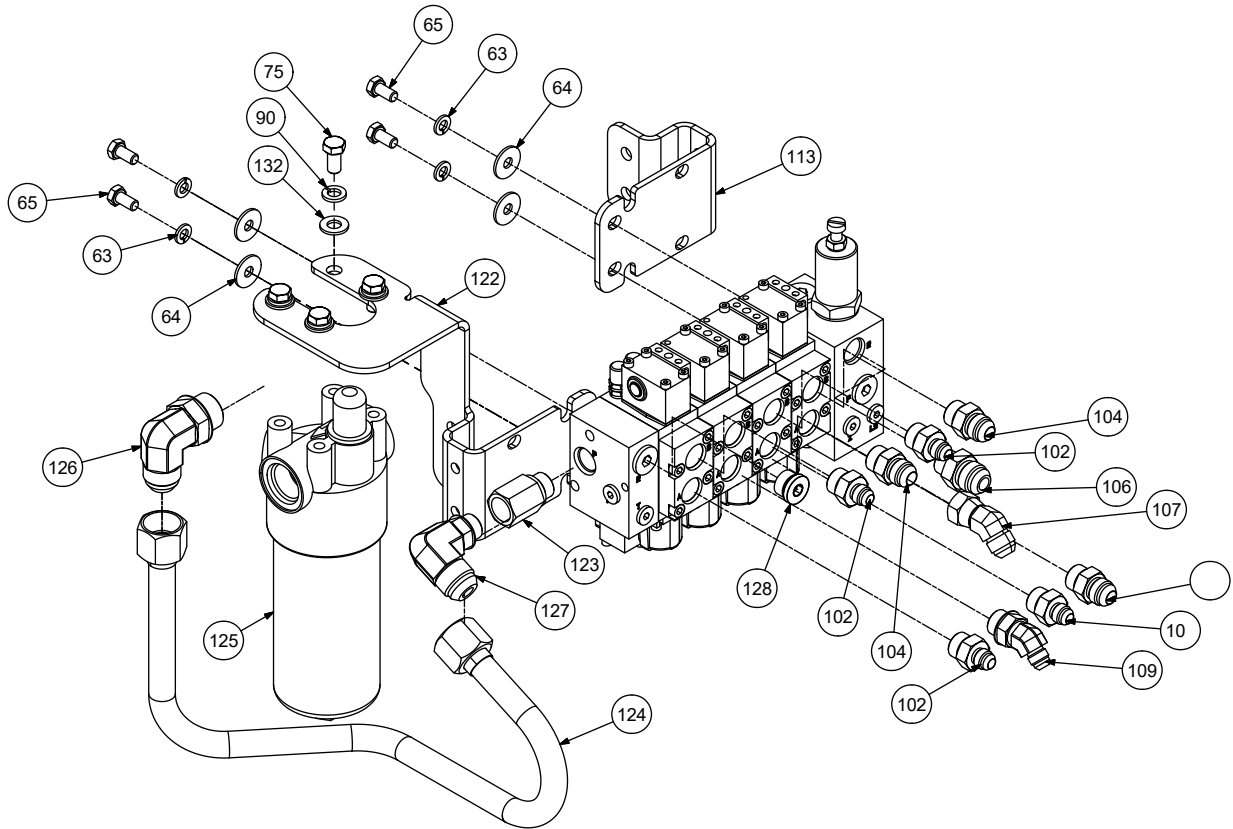
NOTES:

1. USE RUST PREVENTATIVE ON SLIDE STOP, BEARING RACE, BOTTOM OF MAST & TOP OF GEAR BEARING.
2. APPLY BLUE THREAD LOCKER.
3. APPLY GEAR LUBE ON GEAR TEETH.
4. BASE AND MAST ASSEMBLY SHOWN AS MOUNTED ON TRUCK.

10000, Boom Assembly (99904925)



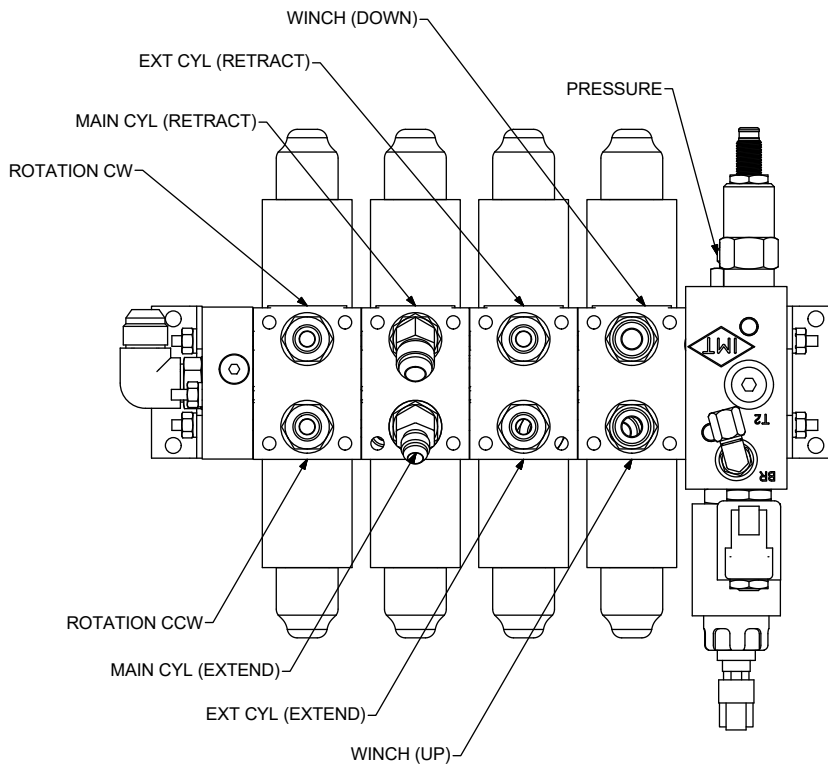
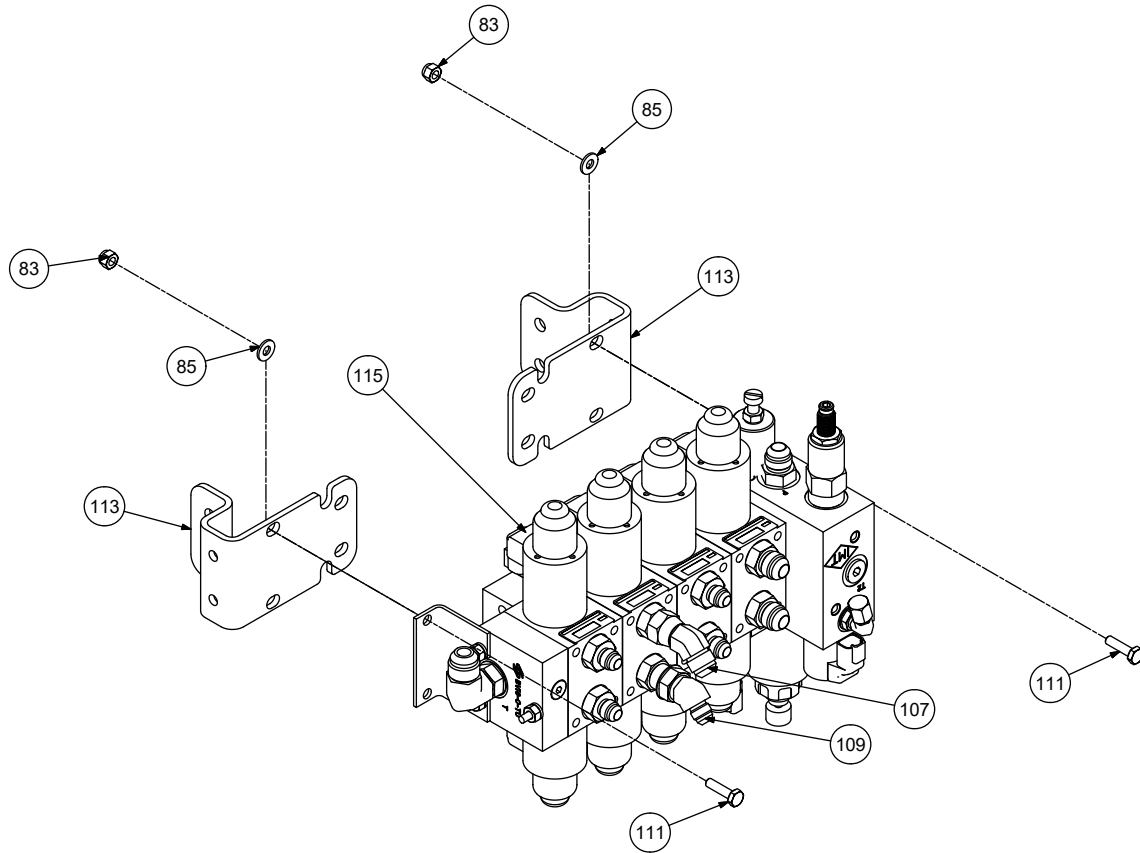
10000, Valve Bank Assembly - Fully Proportional (99904925)



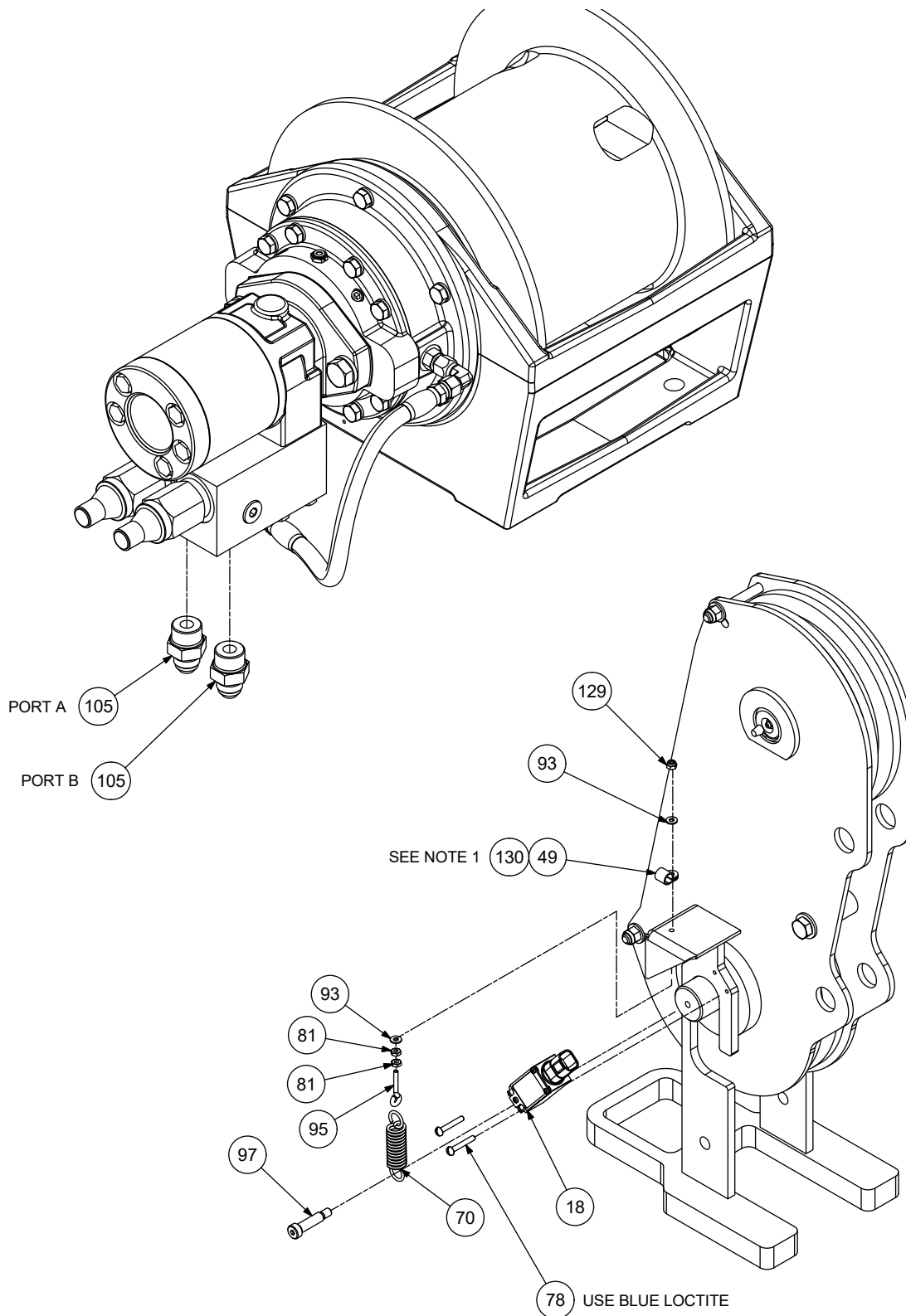
NOTE:

1. INSTALL WIRE HARNESS TO VALVE BANK PRIOR TO INSTALLING VALVE BANK BRACKET.

10000, Valve Bank Assembly - Single Proportional (99904925)



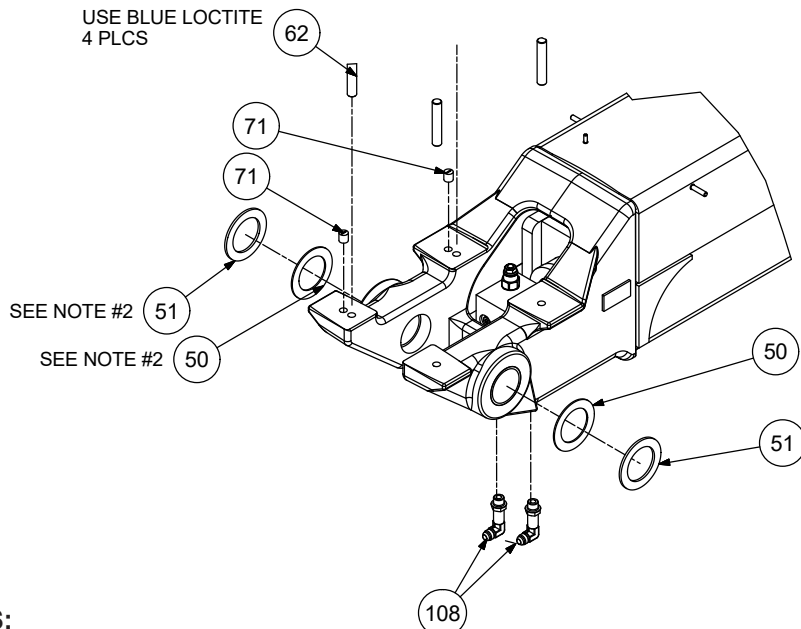
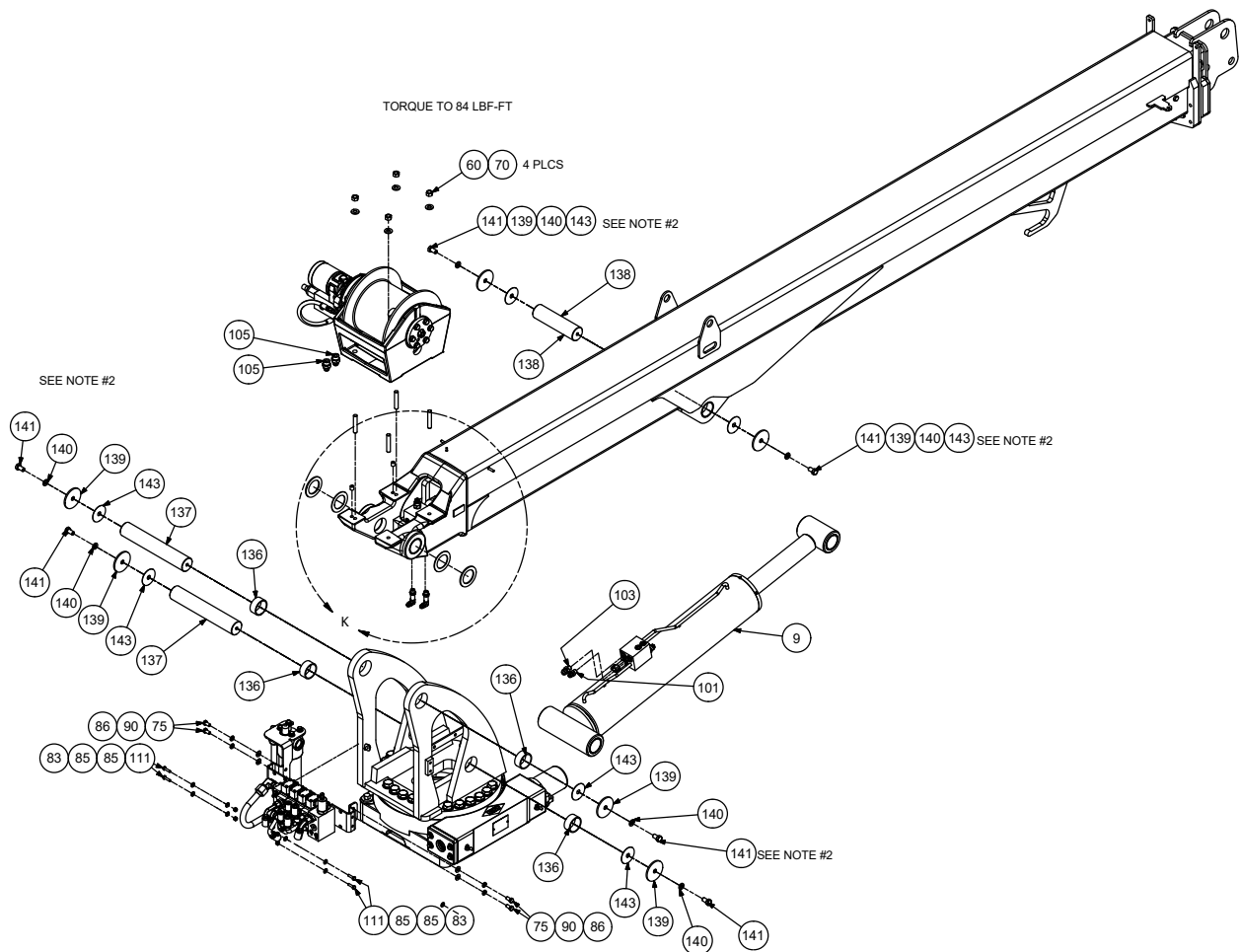
10000, Winch & A2B Assembly (99904925)



NOTE:

- 1. NO FLOOD LIGHTS: USE CLAMP-PLASTIC .25 CABLE P/N 72034485 WITH FLOOD LIGHTS: USE CLAMP-PLASTIC .38 CABLE P/N 72034572.

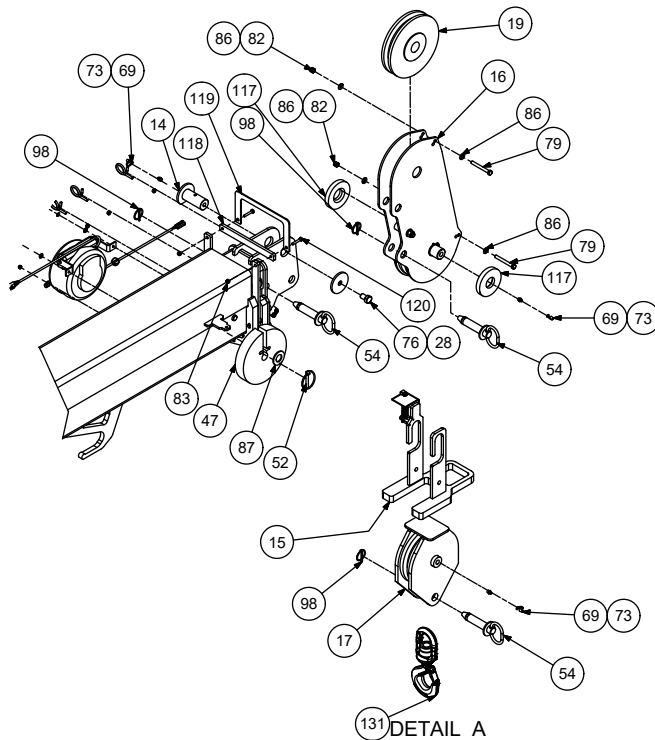
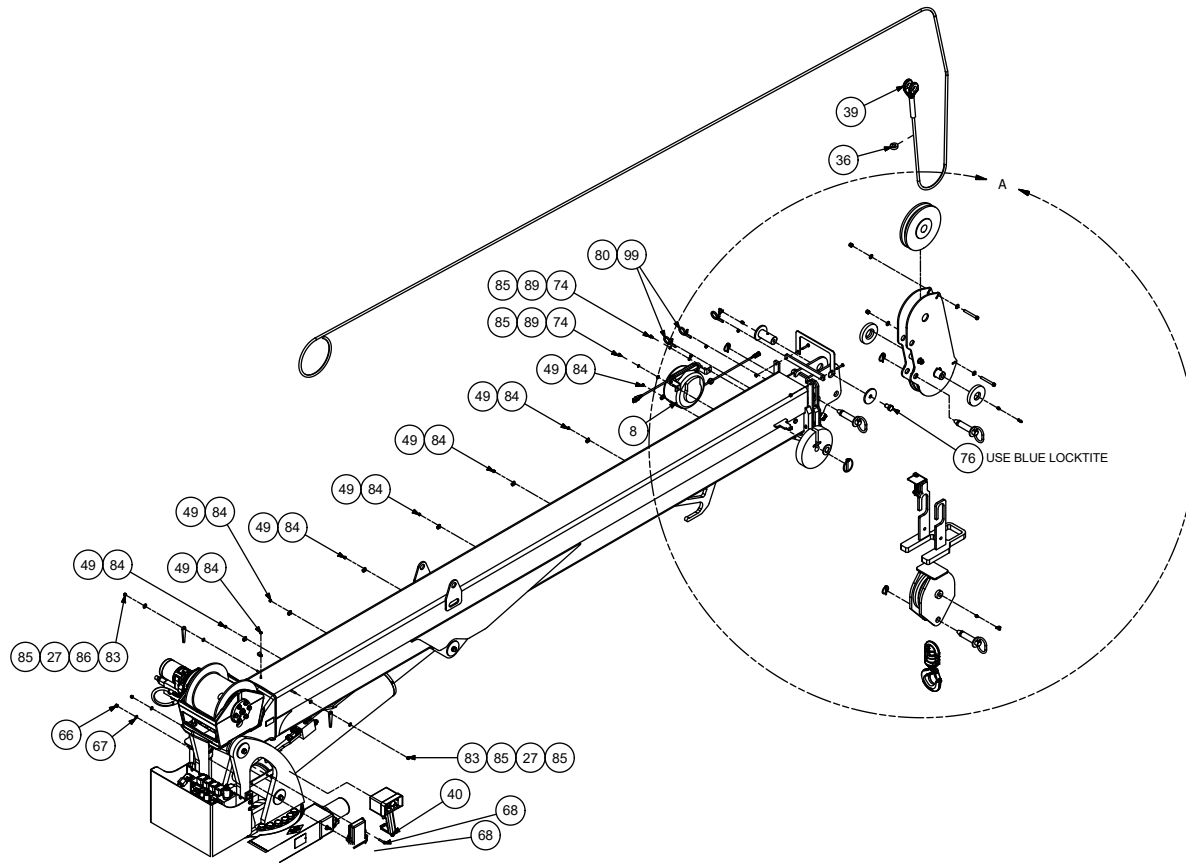
10000, Crane & Winch Assembly (99904925)



NOTES:

1. IF REQUIRED USE 72063038 OR 72063039 MACHY BUSHINGS BETWEEN MAST AND LOWER BOOM.
2. TORQUE TO 60 LB-FT

10000, Flip Sheave Assembly (99904925)



99904925 PARTS LIST

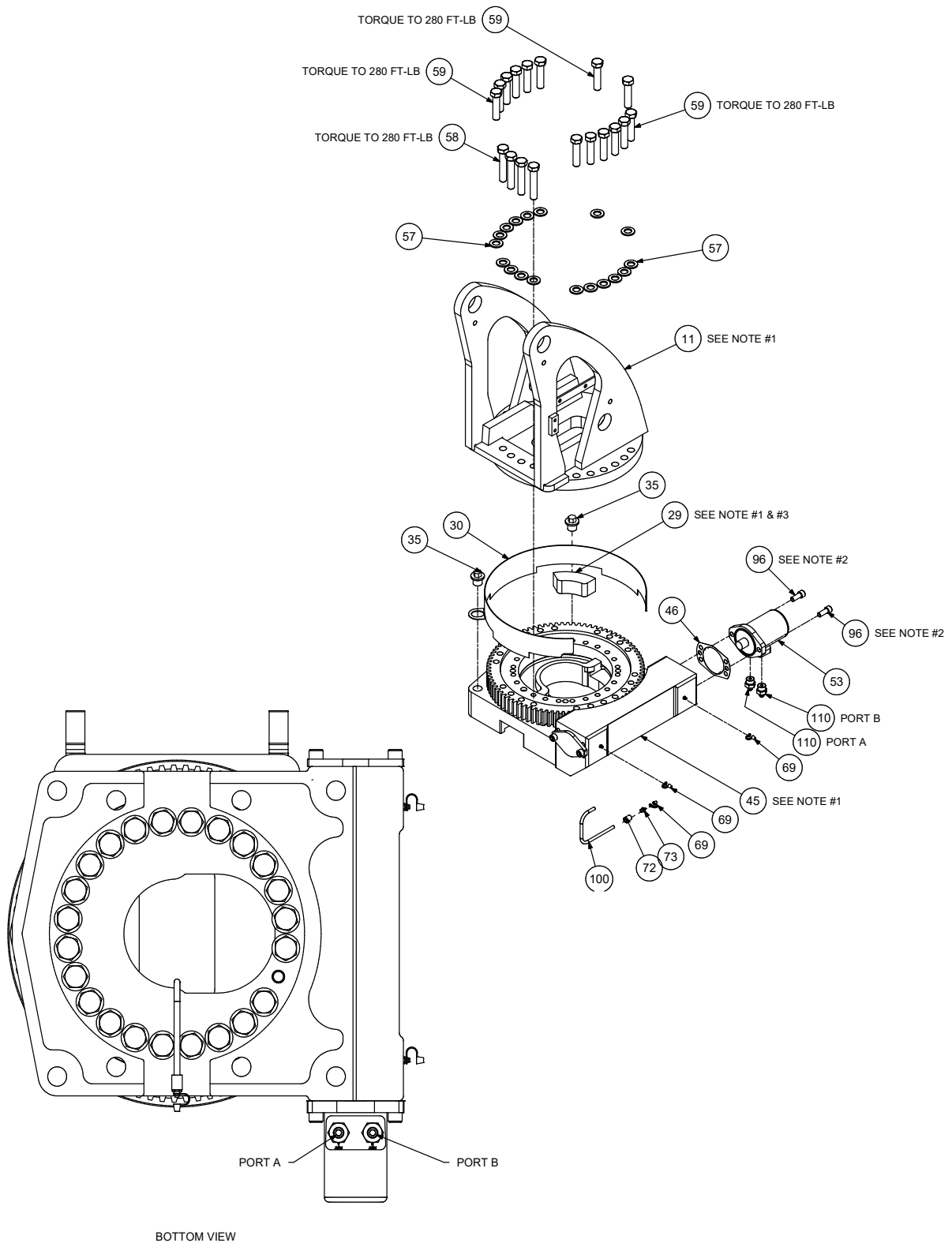
ITEM NO.	PART NO.	DESCRIPTION	KIT NO.	QTY.
1.	91723059	KIT-HRDW BASE & MAST 7500-10000		1
2.	91723579	KIT-HRDW WINCH MNT S3 CRANES		1
3.	91723543	KIT-HRDW VB MNT HAWE		1
4.	51719413	KIT-HRDW TELE CRANE RADIO CONTROLS		1
5.	91725205	KIT-HRDW SERIES III		1
6.	91726825	KIT-HYD BG4-BG6 SERIES III FP		A/R
7.	91726824	KIT-HYD BG4-BG6 SERIES III SP		A/R
8.	51723610	CORD REEL ASM- 30FT W/PACKARD W/DEUTSCH		1
9.	51727888	CYL-5.25/2.50 25.06S 45.52CC		1
10.	51727883	CYL-2.75/1.75 2.50/1.75 204.00S 144.69CC		1
11.	52727809	MAST WLDMNT-SERIES III		1
12.	52727814	WLDMNT-LOWER BOOM 7500/10000		1
13.	52723024	WLDMNT-2ND STAGE EXT BOOM 7500/10000		1
14.	52723030	PIN-TYPE M 1.50X 3.38		1
15.	52725155	WLDMT- A2B BRKT		1
16.	51727744	FLIP SHEAVE ASM 10000/12000		1
17.	52725066	WLDMT- SNATCH BLOCK 9500/10000		1
18.	51727982	KIT-A2B LIMIT SWITCH NO TOP PIN DEUTSCH		1
19.	60030255	SHEAVE- 9.00 POLYMER		1
20.	60030336	WEAR PAD-RC .19 X 6.00 X 6.00		1
21.	60030337	WEAR PAD-RND 0.19X 2.00X 1.00X 1.00		2
22.	60030421	WEAR PAD-RC 0.25X 6.00X 6.00		1
23.	60030422	WEAR PAD-RND SIII EXT CYL		1
24.	60030423	WEAR PAD-RC 0.25X 6.00X 2.25		4
25.	60030425	WEAR PAD-RND 0.44X 1.25X .50X .50		2
26.	60030428	WEAR PAD-RND 0.25X 2.00X .75X .44		4
27.	70034490	PLATE-ANGLE PLASTIC 3.50"		2
28.	60109337	RETAINER PLT-PIN 3.00 DIA		1
29.	60120138	SLIDE-ROTATION STOP 3816		1
30.	60128849	GEAR GUARD 6025 SII		1
31.	60140899	CAP-LOWER BOOM CABLE GUIDE 9500-14000	#114	1
32.	60135668	CAP-FIRST STAGE		1
33.	60135669	PIN-TYPE A 1.25X 6.89 (6.46)		1
34.	60135833	RETAINER-1ST STAGE EXT CYL		2
35.	70029595	THREADED PLUG 1.00-8 (3816)		2
36.	70145121	COLLAR-SHAFT 2 PIECE 7/8 IN.		1
37.	70399044	TAPE-REFLECTIVE RED/SILVER 1.25X108.00		2
38.	70399045	TAPE-REFLECTIVE RED/SILVER2.00X108.00		2
39.	70580234	WIRE ROPE ASM-GALV.44(6X25)X120FT XIPS		1
40.	70734957	TRANSM-RAD REM TELE S3 FP NON-G FHSS 240		A/R
41.	70735093	TRANSM-RAD S3 SP EM 5LED FHSS 2400		A/R
42.	70734958	TRANSM-RAD REM TELE S3 FP GATED FHSS 240		A/R
43.	70734960	RECEIVER-RAD REM TELE S3 FP FHSS 2400		A/R
44.	70735094	RECEIVER-RAD S3 SP 5LED FHSS 2400		A/R
45.	71056577	GEAR ROTATOR-6025/6625 0.75 BOLTS		1
46.	76039295	GASKET-GEA19 008-10056-1	45	1
47.	71414205	PLATE-SINGLE SHEAVE (20#) .50 WIRE ROPE		1
48.	70570771	WINCH-PLANETARY 6000LB LINE PULL		1
49.	72034485	CLAMP-PLASTIC 1/4" CABLE		9
50.	72063038	MACHY BUSHING 2.00X14 GA NR		A/R
51.	72063039	MACHY BUSHING 2.00X10 GA NR		A/R
52.	72661641	PIN-QUICK 5/16-2-1/16 ZINC YELLOW		1
53.	73051919	MOTOR-HYD (101-2638-009)		1
54.	73734565	PIN-LOCK W/HANDLE 1.00 X 3.50 W/HAIRPIN		3
55.	73734727	VALVE BANK-4-SECT PSL2 W OC INLT		A/R
56.	77441481	HARNESS-TELE RADIO REMOTE SERIES III		1
57.	72063116	WASHER .75 N FLAT H ASTM F436Z	1	22
58.	72601629	CAP SCR .75-10X 4.00 HH GR8 Z	1	4
59.	72601817	CAP SCR .75-10X 3.25 HH GR8 Z	1	14

ITEM NO.	PART NO.	DESCRIPTION	KIT NO.	QTY.
60.	72062108	NUT .50-20 HEX GRC Z TOP LOCK	2	4
61.	72063132	WASHER .50 FLAT ASTM F436	2	4
62.	72602082	STUD .50-20X 2.75 DBL .50-13 GR8 STL	2	4
63.	72601797	WASHER-LOCK 8MM	3	4
64.	72602065	WASHER-FLAT M 8	3	4
65.	72602052	CAP SCR M 8-1.25X 16 HHZ	3	4
66.	72062194	NUT-SS .25-20 NYLOC	4	2
67.	72063166	WASHER-FLAT .25 R WRT 18-8 .62OD SS	4	2
68.	72601846	CAP SCR .25-20X 1.25 HH SS	4	2
69.	70034382	CAP-GREASE PRO20 GC-RED	5	6
70.	71413185	SPRING-.105WIRE 0.75OD 2.875 LG	5	1
71.	72034479	PLUG-PLSTC .50-13X .50 UNC-2B	5	2
72.	72053301	COUPLING-GLV .12 SCH 40	5	1
73.	72053508	ZERK-NPT .12	5	4
74.	72060000	CAP SCR .25-20X .50 HH GR5 Z	5	2
75.	72060044	CAP SCR .38-16X .75 HH GR5 Z	5	8
76.	72060147	CAP SCR .62-11X 1.00 HH GR5 Z	5	1
77.	72060206	CAP SCR .75-10X 2.00 HH GR8 Z	5	1
78.	72060639	SCR-MACH 10-24X 1.25 RDH	5	2
79.	72060893	CAP SCR .38-16X 3.25 HH GR5 Z	5	2
80.	72062000	NUT .25-20 HEX	5	3
81.	72062093	NUT # 8-32 HEX ZINC	5	2
82.	72062103	NUT .38-16 HEX NYLOCK	5	2
83.	72062104	NUT .25-20 HEX NYLOCK	5	6
84.	72062106	NUT 10-24 HEX NYLOCK	5	8
85.	72063001	WASHER .25 FLAT	5	17
86.	72063003	WASHER .38 FLAT	5	9
87.	72063010	WASHER 1.00 FLAT	5	1
88.	72063035	MACHY BUSHING 1.25X10 GA NR	5	2
89.	72063049	WASHER .25 LOCK	5	2
90.	72063051	WASHER .38 LOCK	5	8
91.	72063116	WASHER-FLAT .75 N H ASTM F436 Z	5	1
92.	72063132	WASHER .50 FLAT ASTM F436	5	17
93.	72063271	WASHER # 8 W FLAT ANSI B27.2Z	5	2
94.	72066129	RETAINING RING-EXT 1.25 HD	5	2
95.	72601938	BOLT-EYE # 8-32X 1.125	5	1
96.	72601949	CAP SCR .50-13X 1.25 SH ZC	5	2
97.	72602085	BOLT-SHLDR .38X 1.25 (5/16 THDS) SS	5	1
98.	72661543	PIN-QUICK 316-10QP	5	3
99.	72661694	BRIDLE RING 1-1/12ID X 1/4-20	5	3
100.	51395121	HOSE-AA .13 X 13.50 OAL (2-2)	6	1
101.	72532355	ADPTR-M STR/M JIC 6 6	6	1
102.	72532356	ADPTR-M STR/M JIC 8 6	6	4
103.	72532357	ADPTR-M STR/M JIC 6 8	6	1
104.	72532358	ADPTR-M STR/M JIC 8 8	6	3
105.	72532359	ADPTR-M STR/M JIC 10 8	6	2
106.	72532361	ADPTR-M STR/M JIC 8 10	6	1
107.	72532670	ELBOW-M JIC/45/F JIC 8 8	6	1
108.	72532700	ELBOW-M STR/90/M JIC XLG 6 6	6	2
109.	72533583	ELBOW-M STR/45/M JIC 8 6	6	1
110.	72533613	ADPTR-M STR/M JIC 10 6	6	2
111.	72060004	CAP SCR .25-20X 1.00 HH GR5 Z	5	8
112.	60144215	COVER-VALVE BANK SIII		1
113.	60140840	BRKT-MAST VB 7500-10000L		2
114.	93725207	KIT-CABLE GUIDE 9500/14000		1
115.	73734472	VALVE BANK-MOD.INLET (PW) 12VDC IP69		A/R
116.	77441537	HARNESS-S3 TELE S-PROP VALVE BANK CERVIS		A/R
117.	60030486	SPACER-A2B BRACKET		2
118.	60140935	GUIDE - CABLE WEAR (WIDE)	114	1
119.	60140938	BRKT - CABLE GUIDE (WIDE)	114	1
120.	72060006	CAP SCR .25-20X 1.50 HH GR5 Z	114	2

ITEM NO.	PART NO.	DESCRIPTION	KIT NO.	QTY.
121.	72062104	NUT .25-20 HEX NYLOCK	114	2
122.	60143076	BRKT-MAST VB 7500-10000L FP		1
123.	72534898	O-RING EXTENDER 08-08		1
124.	71415691	TUBE ASM-PRESSURE FILTER S3FP LARGE MAST		1
125.	73052156	FILTER-PRES 4000PSI 25GPM 10MIC -12		1
126.	72053767	ELBOW-M STR/90/M JIC 12 12		1
127.	72533623	ELBOW-M STR/90/M JIC 8 12		1
128.	72532686	PLUG-STR SOC HD STL 8 (.75 THD)	6	1
129.	72062207	NUT 8-32 HEX NYLOCK		1
130.	72034572	CLAMP-PLASTIC .38 CABLE		1
131.	70735099	HOOK-SWVL BBRG 5TON W/LATCH		1
132.	72063186	WASHER-FLAT .38 N H ASTM F436		4
133.	72602158	CAP SCR .50-13X 1.75 HH GR5 YZ		12
134.	72602160	WASHER- LOCK .50 YZ		12
135.	52727068	WLDMNT-1ST STAGE EXT BOOM 12000		1
136.	70034581	BEARING MRP 2.00X2.25X1.00 POLYGON		4
137.	70190007	PIN-TYPE AB 2.00 X 11.88 SS	5	2
138.	70190008	PIN-TYPE AB 2.00 X 7.63 SS	5	1
139.	70190004	RETAINER PLT-PIN 0.50 X 3.00 DIA SS		6
140.	72063144	WASHER-SS .50 LOCK TYPE 304		6
141.	72602168	CAP SCR .50-13X .88 HH SS		6
142.	60030442	WEAR PAD-RND 0.25X 1.00X .50X .38		2
143.	60030590	WEAR PAD-RND 0.56X 2.44X .03		6
REV. DT CN1009-3				

This page left intentionally blank

10000, Base & Mast Assembly, Truck Mount (99904925)



BASE AND MAST ASSEMBLY SHOWN AS MOUNTED ON TRUCK.

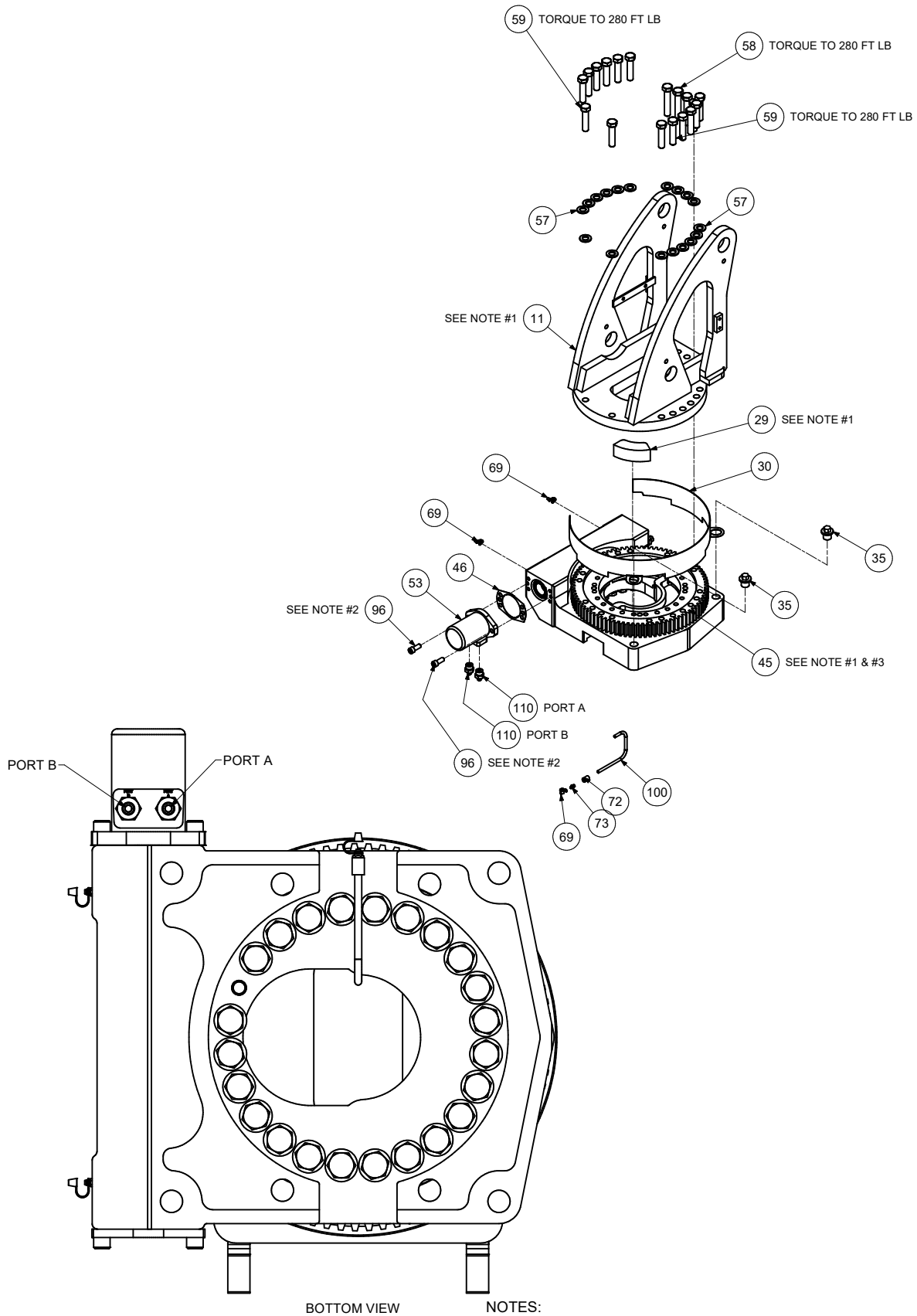
TRUCK MOUNT PARTS LIST (99904925)

ITEM NO.	PART NO.	DESCRIPTION	KIT NO.	QTY.
5.	91725205	KIT-HRDW SERIES III		1
6.	91726825	KIT-HYD BG4-BG6 SERIES III FP		A/R
11.	52725172	MAST WLDMNT-SERIES III		1
29.	60120138	SLIDE-ROTATION STOP 3816		1
30.	60128849	GEAR GUARD 6025 SII		1
35.	70029595	THREADED PLUG 1.00-8 (3816)		2
45.	71056577	GEAR ROTATOR-6025/6625 0.75 BOLTS		1
46.	76039295	GASKET-GEA19 008-10056-1	45	1
53.	73051919	MOTOR-HYD (101-2638-009)		1
57.	72063116	WASHER .75 N FLAT H ASTM F436Z	1	22
58.	72601629	CAP SCR .75-10X 4.00 HH GR8 Z	1	4
59.	72601817	CAP SCR .75-10X 3.25 HH GR8 Z	1	14
69.	70034382	CAP-GREASE PRO20 GC-RED	5	6
72.	72053301	COUPLING-GLV .12 SCH 40	5	1
73.	72053508	ZERK-NPT .12	5	4
96.	72601949	CAP SCR .50-13X 1.25 SH ZC	5	2
100.	51395121	HOSE-AA .13 X 13.50 OAL (2-2)	6	1
110.	72533613	ADPTR-M STR/M JIC 10 6	6	2
REV. DP CN1111				

NOTES:

1. USE RUST PREVENTATIVE ON SLIDE STOP, BEARING RACE, BOTTOM OF MAST & TOP OF GEAR BEARING
2. APPLY BLUE THREAD LOCKER
3. APPLY GEAR LUBE ON GEAR TEETH

10000, Base & Mast Assembly, Test Stand (99904925)



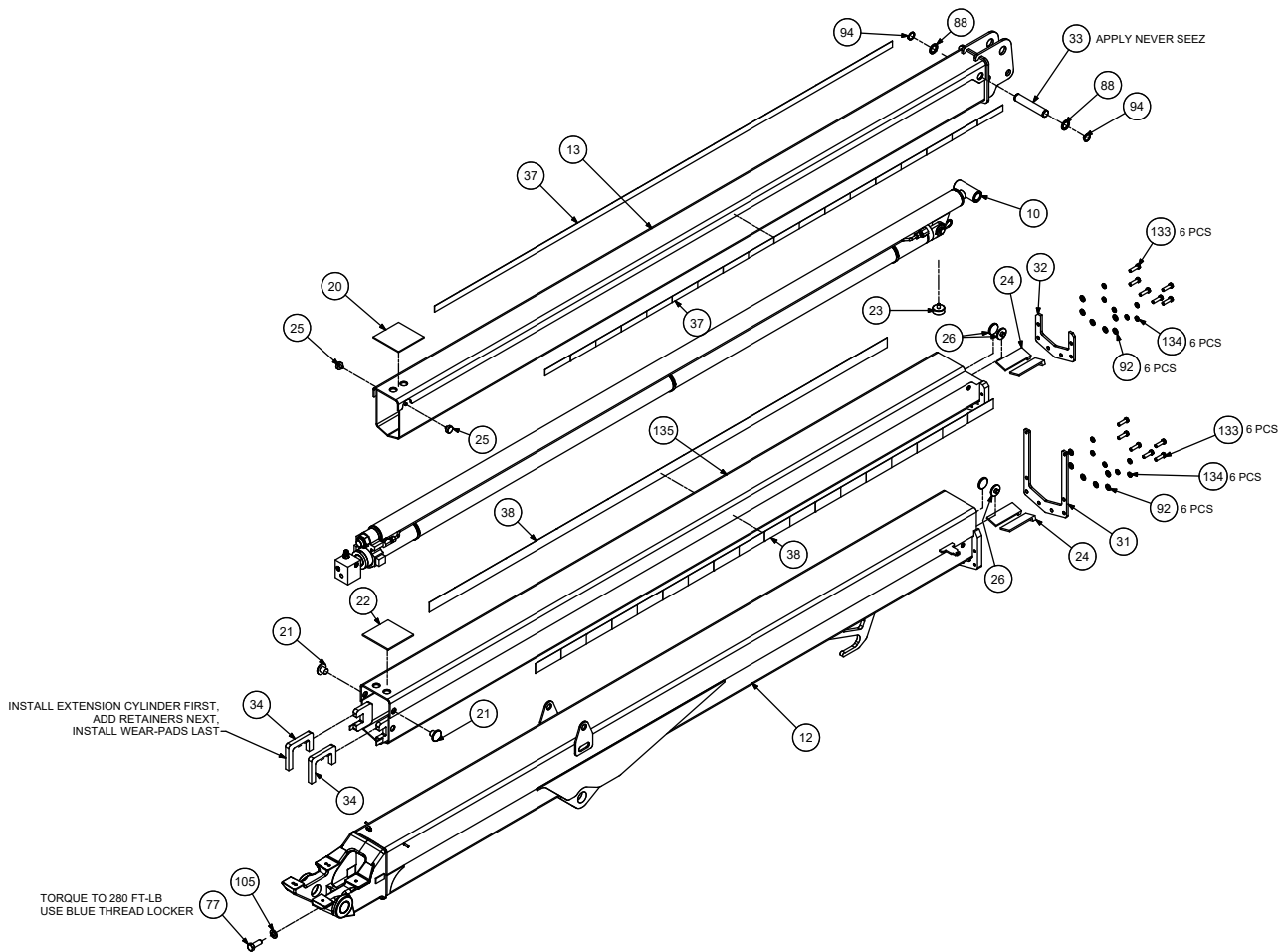
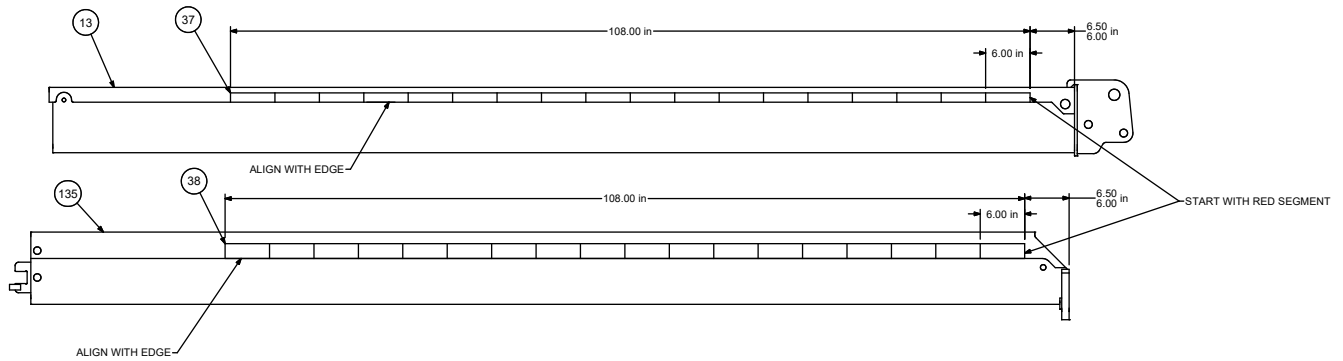
99904925, BASE AND MAST ASSEMBLY, TEST STAND

ITEM NO.	PART NO.	DESCRIPTION	KIT NO.	QTY.
1.	91723059	KIT-HRDW BASE & MAST 7500-10000		1
5.	91725205	KIT-HRDW SERIES III		1
6.	91726825	KIT-HYD BG4-BG6 SERIES III FP		A/R
11.	52725172	MAST WLDMNT-SERIES III		1
29.	60120138	SLIDE-ROTATION STOP 3816		1
30.	60128849	GEAR GUARD 6025 SII		1
35.	70029595	THREADED PLUG 1.00-8 (3816)		2
45.	71056577	GEAR ROTATOR-6025/6625 0.75 BOLTS		1
46.	76039295	GASKET-GEA19 008-10056-1	45	1
53.	73051919	MOTOR-HYD (101-2638-009)		1
57.	72063116	WASHER .75 N FLAT H ASTM F436Z	1	22
58.	72601629	CAP SCR .75-10X 4.00 HH GR8 Z	1	4
59.	72601817	CAP SCR .75-10X 3.25 HH GR8 Z	1	14
69.	70034382	CAP-GREASE PRO20 GC-RED	5	6
72.	72053301	COUPLING-GLV .12 SCH 40	5	1
73.	72053508	ZERK-NPT .12	5	4
96.	72601949	CAP SCR .50-13X 1.25 SH ZC	5	2
100.	51395121	HOSE-AA .13 X 13.50 OAL (2-2)	6	1
110.	72533613	ADPTR-M STR/M JIC 10 6	6	2
REV. DP CN1111				

NOTES:

1. USE RUST PREVENTATIVE ON SLIDE STOP, BEARING RACE, BOTTOM OF MAST & TOP OF GEAR BEARING
2. APPLY BLUE THREAD LOCKER
3. APPLY GEAR LUBE ON GEAR TEETH

10000, Boom Assembly (99904925)



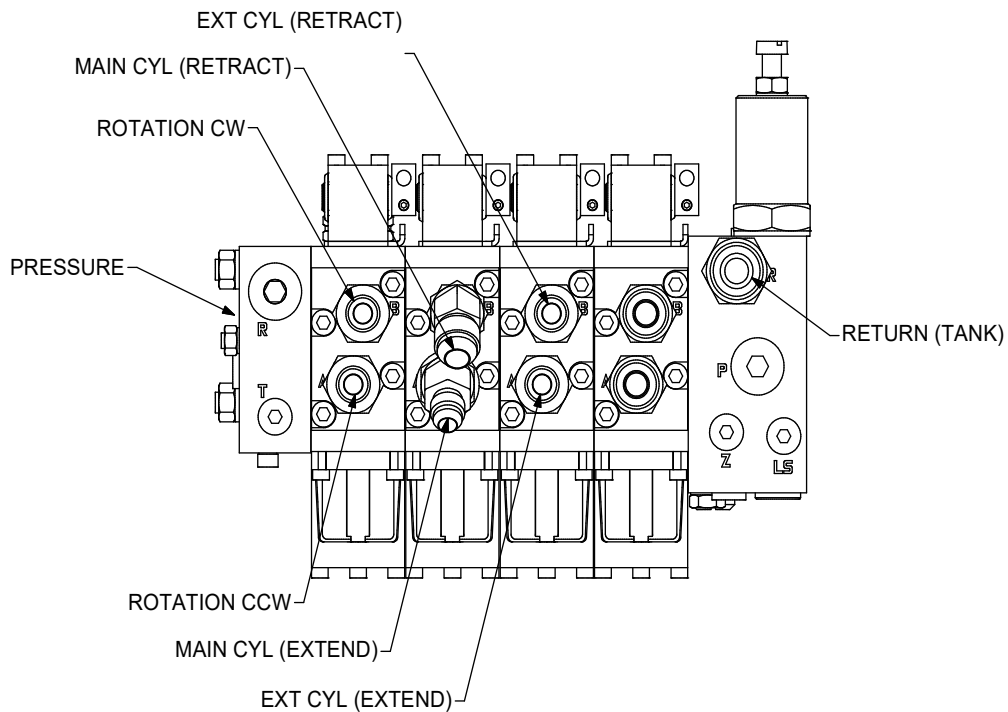
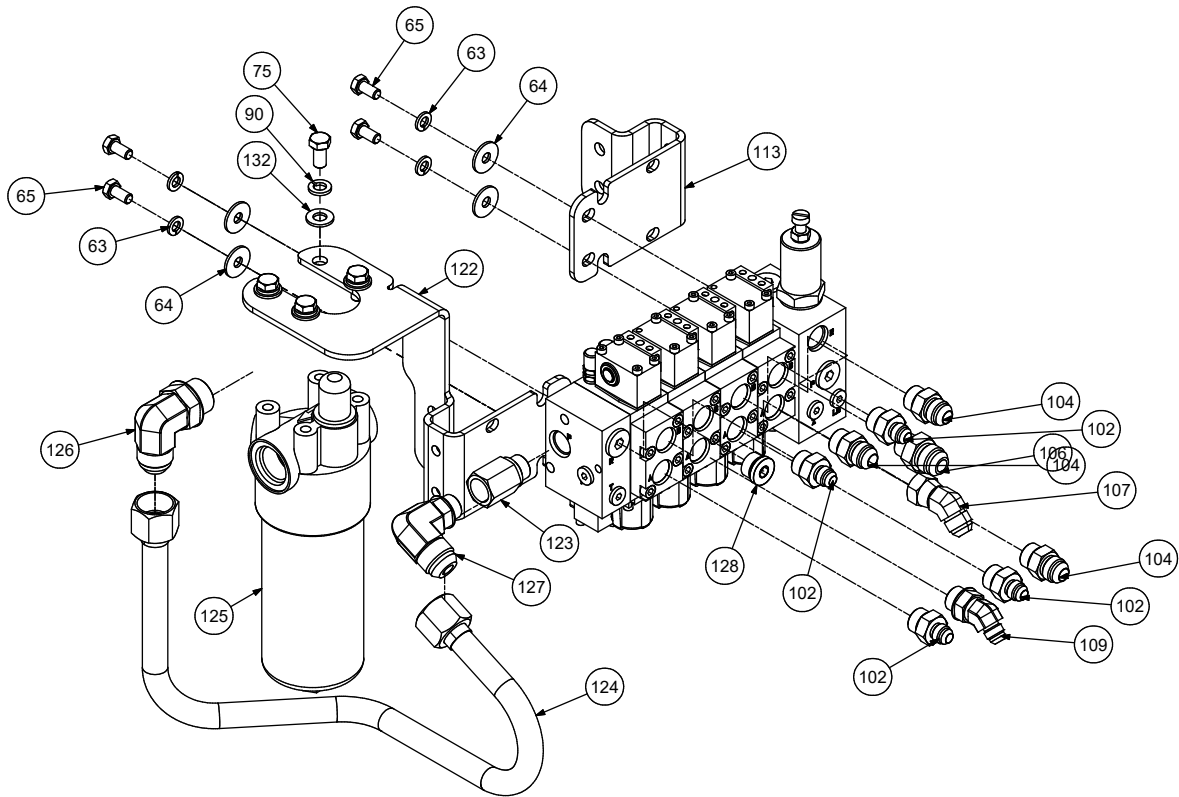
BOOM ASSEMBLY PARTS LIST (99904925) NOTES:

ITEM NO.	PART NO.	DESCRIPTION	KIT NO.	QTY.
5.	91725205	KIT-HRDW SERIES III		1
6.	91726825	KIT-HYD BG4-BG6 SERIES III FP		A/R
12.	52725160	WLDMNT-LOWER BOOM 7500/10000		1
13.	52723024	WLDMNT-2ND STAGE EXT BOOM 7500/10000		1
20.	60030336	WEAR PAD-RC .19 X 6.00 X 6.00		1
21.	60030337	WEAR PAD-RND 0.19X 2.00X 1.00X 1.00		2
22.	60030421	WEAR PAD-RC 0.25X 6.00X 6.00		1
23.	60030422	WEAR PAD-RND SIII EXT CYL		1
24.	60030423	WEAR PAD-RC 0.25X 6.00X 2.25		4
25.	60030425	WEAR PAD-RND 0.44X 1.25X .50X .50		2
26.	60030428	WEAR PAD-RND 0.25X 2.00X .75X .44		4
31.	60140899	CAP-LOWER BOOM CABLE GUIDE 9500-14000	114	1
32.	60135668	CAP-FIRST STAGE		1
33.	60135669	PIN-TYPE A 1.25X 6.89 (6.46)		1
34.	60135833	RETAINER-1ST STAGE EXT CYL		2
37.	70399044	TAPE-REFLECTIVE RED/SILVER 1.25X108.00		2
38.	70399045	TAPE-REFLECTIVE RED/SILVER2.00X108.00		2
77.	72060206	CAP SCR .75-10X 2.00 HH GR8 Z	5	1
88.	72063035	MACHY BUSHING 1.25X10 GA NR	5	2
92.	72063132	WASHER .50 FLAT ASTM F436	5	17
94.	72066129	RETAINING RING-EXT 1.25 HD	5	2
105.	72532359	ADPTR-M STR/M JIC 10 8	6	2
114.	93725207	KIT-CABLE GUIDE 9500/14000		A/R
133.	72602158	CAP SCR .50-13X 1.75 HH GR5 YZ		12
134.	72602160	WASHER- LOCK .50 YZ		12
135.	52727068	WLDMNT-1ST STAGE EXT BOOM 12000		1
REV. DP CN1111				

NOTE:

1. INSTALL WIRE HARNESS TO VALVE BANK PRIOR TO INSTALLING VALVE BANK BRACKET.

10000, Valve Bank Assembly - Fully Proportional (99904925)



FULLY PROPORTIONAL VALVE BANK ASSEMBLY

Series III Telescopic Crane - Manual # 99906467

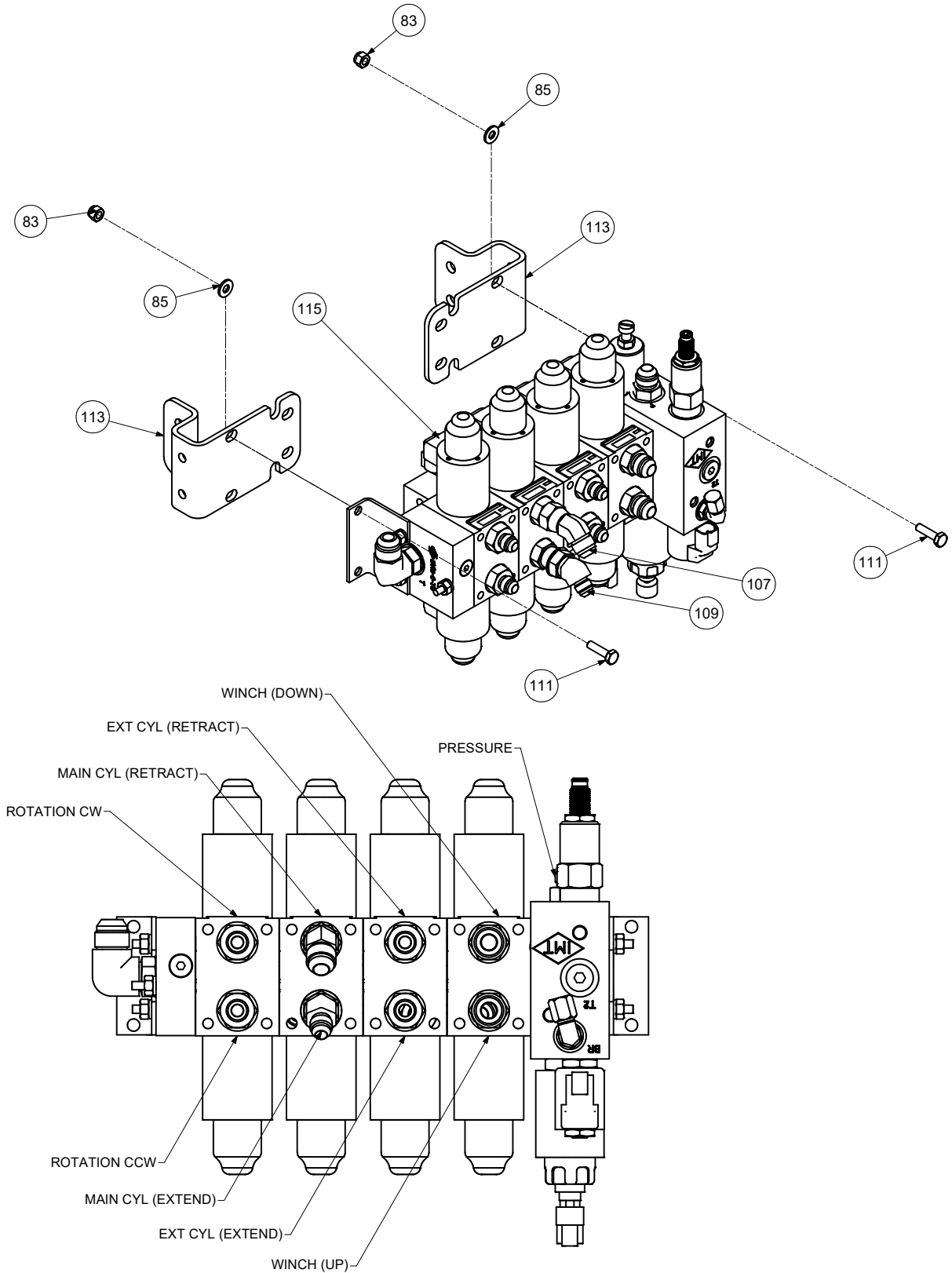
VALVE BANK ASSEMBLY-FULLY PROPORTIONAL PARTS LIST (99904925)

ITEM NO.	PART NO.	DESCRIPTION	KIT NO.	QTY.
3.	91723543	KIT-HRDW VB MNT HAWK		1
5.	91725205	KIT-HRDW SERIES III		1
6.	91726825	KIT-HYD BG4-BG6 SERIES III FP		A/R
63.	72601797	WASHER-LOCK 8MM	3	4
64.	72602065	WASHER-FLAT M 8	3	4
65.	72602052	CAP SCR M 8-1.25X 16 HHZ	3	4
75.	72060044	CAP SCR .38-16X .75 HH GR5 Z	5	8
90.	72063051	WASHER .38 LOCK	5	8
102.	72532356	ADPTR-M STR/M JIC 8 6	6	4
104.	72532358	ADPTR-M STR/M JIC 8 8	6	3
106.	72532361	ADPTR-M STR/M JIC 8 10	6	1
107.	72532670	ELBOW-M JIC/45/F JIC 8 8	6	1
109.	72533583	ELBOW-M STR/45/M JIC 8 6	6	1
113.	60140840	BRKT-MAST VB 7500-10000L		2
122.	60143076	BRKT-MAST VB 7500-10000L FP		1
123.	72534898	O-RING EXTENDER 08-08		1
124.	71415691	TUBE ASM-PRESSURE FILTER S3FP LARGE MAST		1
125.	73052156	FILTER-PRES 4000PSI 25GPM 10MIC -12		1
126.	72053767	ELBOW-M STR/90/M JIC 12 12		1
127.	72533623	ELBOW-M STR/90/M JIC 8 12		1
128.	72532686	PLUG-STR SOC HD STL 8 (.75 THD)	6	1
132.	72063186	WASHER-FLAT .38 N H ASTM F436		4
REV. DP CN1111				

NOTE:

1. INSTALL WIRE HARNESS TO VALVE BANK PRIOR TO INSTALLING VALVE BANK BRACKET.

10000, Valve Bank Assembly - Single Proportional (99904925)



SINGLE PROPORTIONAL VALVE BANK ASSEMBLY

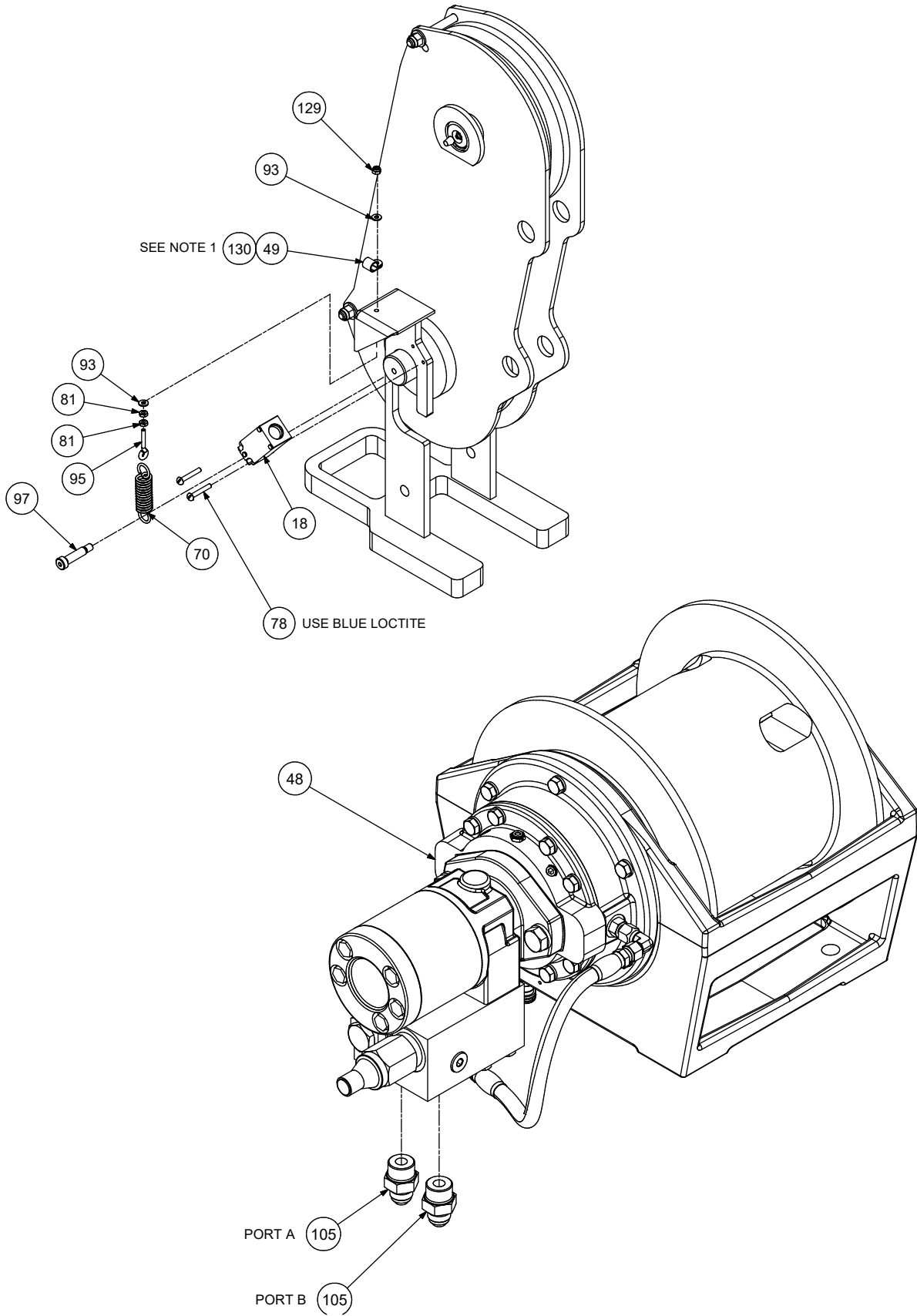
VALVE BANK ASSEMBLY (SINGLE PROPORTIONAL) PARTS LIST (99904925)

ITEM NO.	PART NO.	DESCRIPTION	KIT NO.	QTY.
5.	91725205	KIT-HRDW SERIES III		1
6.	91726825	KIT-HYD BG4-BG6 SERIES III FP		A/R
83.	72062104	NUT .25-20 HEX NYLOCK	5	6
85.	72063001	WASHER .25 FLAT	5	17
107.	72532670	ELBOW-M JIC/45/F JIC 8 8	6	1
109.	72533583	ELBOW-M STR/45/M JIC 8 6	6	1
111.	72060004	CAP SCR .25-20X 1.00 HH GR5 Z	5	8
113.	60140840	BRKT-MAST VB 7500-10000L		2
115.	73734472	VALVE BANK-MOD.INLET (PW) 12VDC IP69		A/R
REV. DP CN1111				

NOTE:

1. INSTALL WIRE HARNESS TO VALVE BANK PRIOR TO INSTALLING VALVE BANK BRACKET.

10000, Winch & A2B Assembly (99904925)



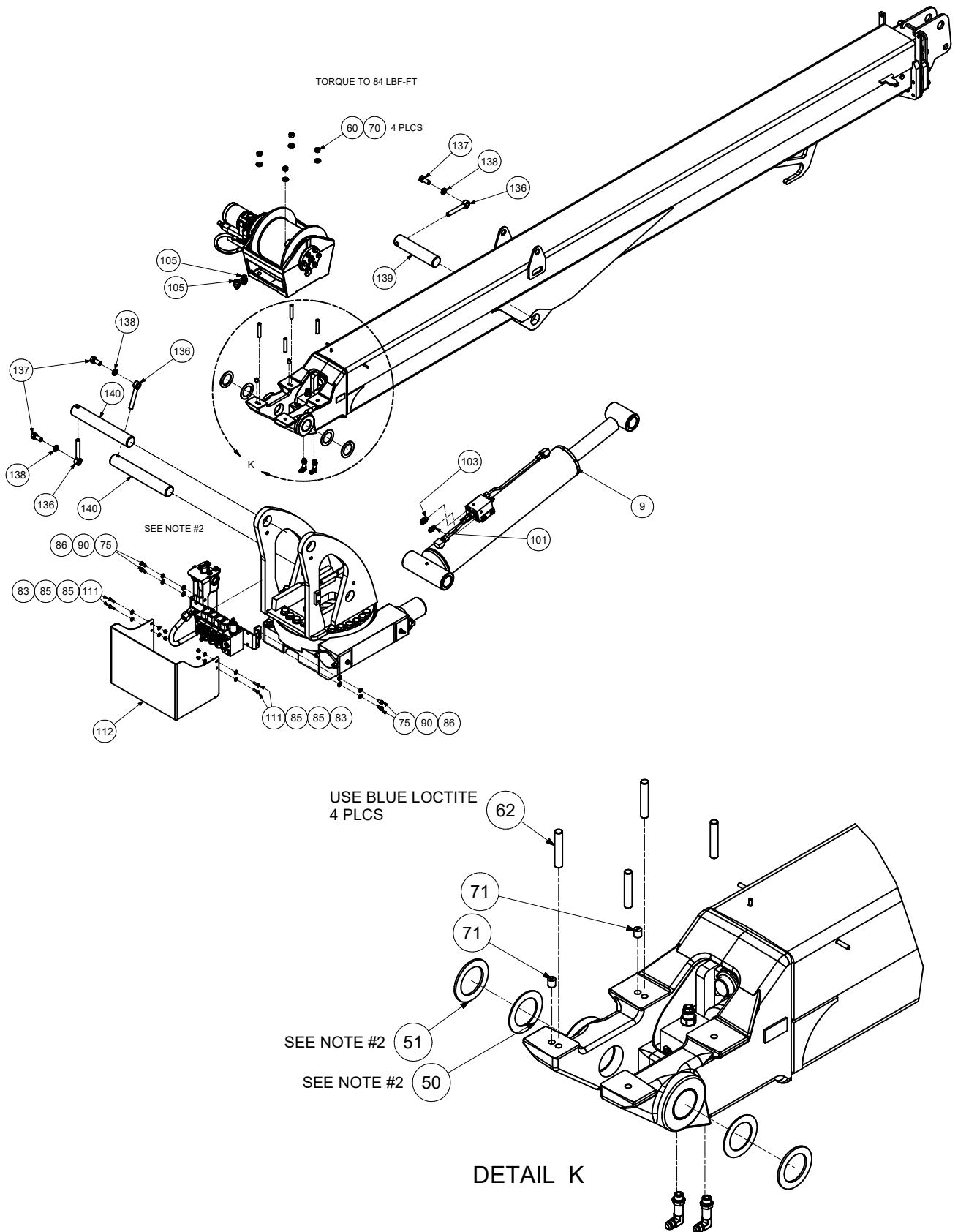
WINCH & A2B ASSEMBLY PARTS LIST (99904925)

ITEM NO.	PART NO.	DESCRIPTION	KIT NO.	QTY.
5.	91725205	KIT-HRDW SERIES III		1
6.	91726825	KIT-HYD BG4-BG6 SERIES III FP		A/R
18.	51727982	KIT-A2B LIMIT SWITCH		1
48.	70570771	WINCH-PLANETARY 6000LB LINE PULL		1
49.	72034485	CLAMP-PLASTIC 1/4" CABLE		9
70.	71413185	SPRING-.105WIRE 0.75OD 2.875 LG	5	1
78.	72060639	SCR-MACH 10-24X 1.25 RDH	5	2
81.	72062093	NUT # 8-32 HEX ZINC	5	2
93.	72063271	WASHER # 8 W FLAT ANSI B27.2Z	5	2
95.	72601938	BOLT-EYE # 8-32X 1.125	5	1
97.	72602085	BOLT-SHLDR .38X 1.25 (5/16 THDS) SS	5	1
103.	72532357	ADPTR-M STR/M JIC 6 8	6	1
105.	72532359	ADPTR-M STR/M JIC 10 8	6	2
129.	72062207	NUT 8-32 HEX NYLOCK		1
REV. DP CN1111				

NOTE:

1. NO FLOOD LIGHTS: USE CLAMP-PLASTIC .25 CABLE , P/N: 72034485.
2. WITH FLOOD LIGHTS: USE CLAMP-PLASTIC .38 CABLE, P/N: 72034572.

10000, Crane & Winch Assembly (99904925)



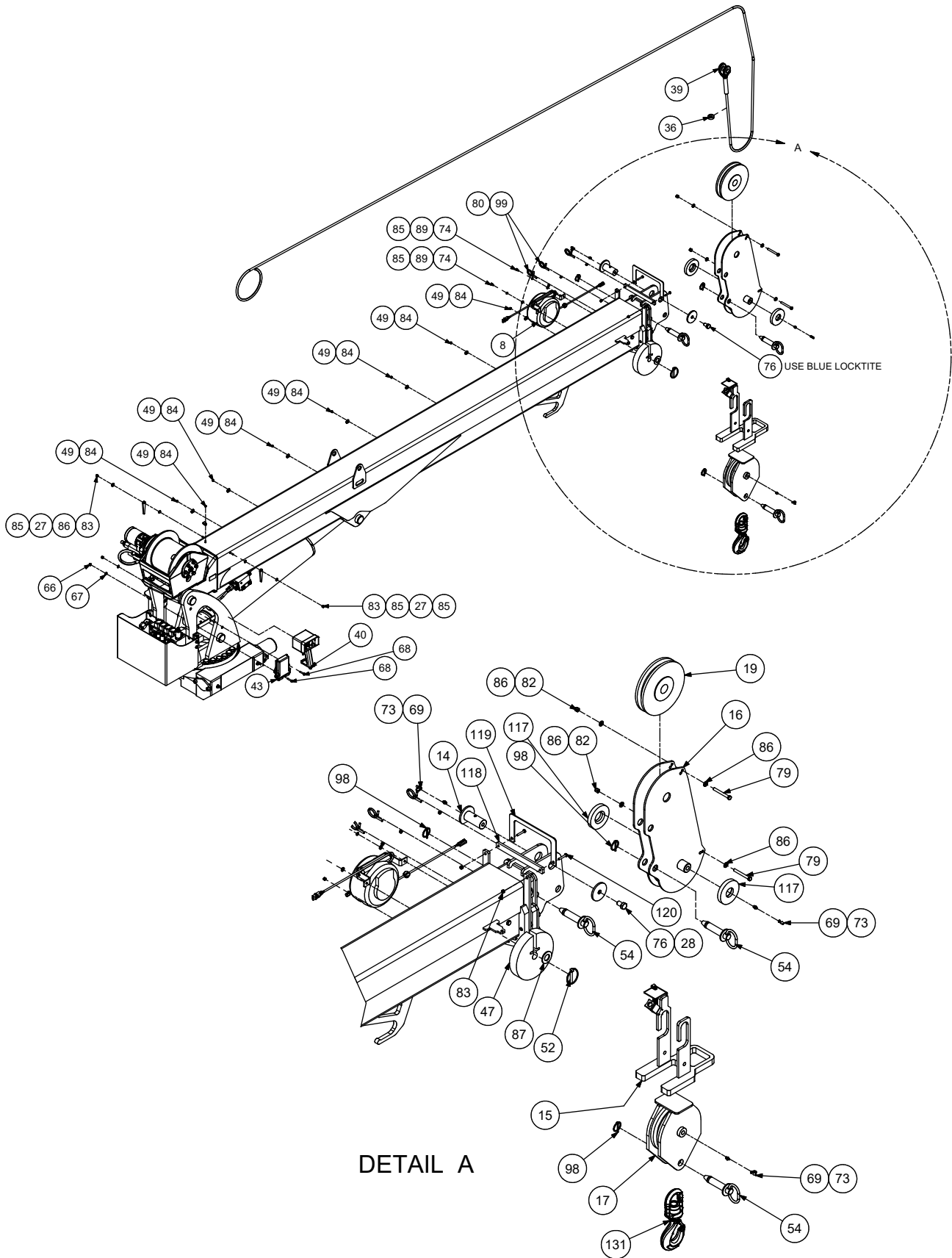
CRANE & WINCH ASSEMBLY PARTS LIST (99904925)

ITEM NO.	PART NO.	DESCRIPTION	KIT NO.	QTY.
2.	91723579	KIT-HRDW WINCH MNT S3 CRANES		1
5.	91725205	KIT-HRDW SERIES III		1
6.	91726825	KIT-HYD BG4-BG6 SERIES III FP		A/R
9.	51722956	CYL-5.25/2.50 25.07S 45.52CC C		14
50.	72063038	MACHY BUSHING 2.00X14 GA NR		A/R
51.	72063039	MACHY BUSHING 2.00X10 GA NR		A/R
60.	72062108	NUT .50-20 HEX GRC Z TOP LOCK	2	4
62.	72602082	STUD .50-20X 2.75 DBL .50-13 GR8 STL	2	4
70.	71413185	SPRING-.105WIRE 0.75OD 2.875 LG	5	1
71.	72034479	PLUG-PLSTC .50-13X .50 UNC-2B	5	2
75.	72060044	CAP SCR .38-16X .75 HH GR5 Z	5	8
83.	72062104	NUT .25-20 HEX NYLOCK	5	6
85.	72063001	WASHER .25 FLAT	5	17
86.	72063003	WASHER .38 FLAT	5	9
90.	72063051	WASHER .38 LOCK	5	8
101.	72532355	ADPTR-M STR/M JIC 6 6	6	1
103.	72532357	ADPTR-M STR/M JIC 6 8	6	1
105.	72532359	ADPTR-M STR/M JIC 10 8	6	2
111.	72060004	CAP SCR .25-20X 1.00 HH GR5 Z	5	8
112.	60144215	COVER-VALVE BANK SIII		1
136.	71415016	KEEPER-PIN .62		3
137.	72060149	CAP SCR HH 5/8-11 UNC - 1.50 GR5 Z		3
138.	72063055	WASHER-LOCK 5/8 ZINC		3
139.	60140916	PIN-TYPE NN 2.00X 9.50		1
140.	60140915	PIN-TYPE NN 2.00X13.75		2
REV. DP CN1111				

NOTES:

1. APPLY ANTI-SEEZ TO BOOM AND CYLINDER MOUNTING PINS.DO NOT ALLOW ANTI-SEEZ TO COME IN CONTACT WITH BOOM OR CYLINDER PIN BOSS BEARINGS.
2. IF REQUIRED USE 72063038 OR 72063039 BETWEEN MAST AND LOWER BOOM.

10000, Flip Sheave Assembly (99904925)



FLIP SHEAVE ASSEMBLY PARTS LIST (99904925)

ITEM NO.	PART NO.	DESCRIPTION	KIT NO.	QTY.
4.	51719413	KIT-HRDW TELE CRANE RADIO CONTROLS		1
5.	91725205	KIT-HRDW SERIES III		1
6.	91726825	KIT-HYD BG4-BG6 SERIES III FP		A/R
8.	51723610	CORD REEL ASM- 30FT W/PACKARD W/DEUTSCH		1
14.	52723030	PIN-TYPE M 1.50X 3.38		1
15.	52725155	WLDMT- A2B BRKT		1
16.	52725153	WLDMT-FLIP SHEAVE 7500/8600		1
17.	52725066	WLDMT- SNATCH BLOCK 9500/10000		1
19.	60030255	SHEAVE- 9.00 POLYMER		1
27.	70034490	PLATE-ANGLE PLASTIC 3.50"		2
28.	60109337	RETAINER PLT-PIN 3.00 DIA		1
36.	70145121	COLLAR-SHAFT 2 PIECE 7/8 IN.		1
39.	70580203	WIRE ROPE ASM-.44(6X25)X130FT LH LAY		1
43.	70734960	RECEIVER-RAD REM TELE S3 FP FHSS 2400		A/R
47.	71414205	PLATE-SINGLE SHEAVE (20#) .50 WIRE ROPE		1
49.	72034485	CLAMP-PLASTIC 1/4" CABLE		9
52.	72661641	PIN-QUICK 5/16-2-1/16 ZINC YELLOW		1
54.	73734565	PIN-LOCK W/HANDLE 1.00 X 3.50 W/HAIRPIN		3
66.	72062194	NUT-SS .25-20 NYLOC	4	2
67.	72063166	WASHER-FLAT .25 R WRT 18-8 .62OD SS	4	2
68.	72601846	CAP SCR .25-20X 1.25 HH SS	4	2
69.	70034382	CAP-GREASE PRO20 GC-RED	5	6
73.	72053508	ZERK-NPT .12	5	4
74.	72060000	CAP SCR .25-20X .50 HH GR5 Z	5	2
76.	72060147	CAP SCR .62-11X 1.00 HH GR5 Z	5	1
79.	72060893	CAP SCR .38-16X 3.25 HH GR5 Z	5	2
80.	72062000	NUT .25-20 HEX	5	3
82.	72062103	NUT .38-16 HEX NYLOCK	5	2
83.	72062104	NUT .25-20 HEX NYLOCK	5	6
84.	72062106	NUT 10-24 HEX NYLOCK	5	8
85.	72063001	WASHER .25 FLAT	5	17
86.	72063003	WASHER .38 FLAT	5	9
87.	72063010	WASHER 1.00 FLAT	5	1
89.	72063049	WASHER .25 LOCK	5	2
98.	72661543	PIN-QUICK 316-10QP	5	3
99.	72661694	BRIDLE RING 1-1/12ID X 1/4-20	5	3
114.	93725207	KIT-CABLE GUIDE 9500/14000		1
117.	60030486	SPACER-A2B BRACKET		2
118.	60140935	GUIDE - CABLE WEAR (WIDE)	114	1
119.	60140938	BRKT - CABLE GUIDE (WIDE)	114	1
120.	72060006	CAP SCR .25-20X 1.50 HH GR5 Z	114	2
131.	70735099	HOOK-SWVL POS LOCK BBRG 5TON		1

REV. DP CN1111

99904925 COMPLETE PARTS LIST

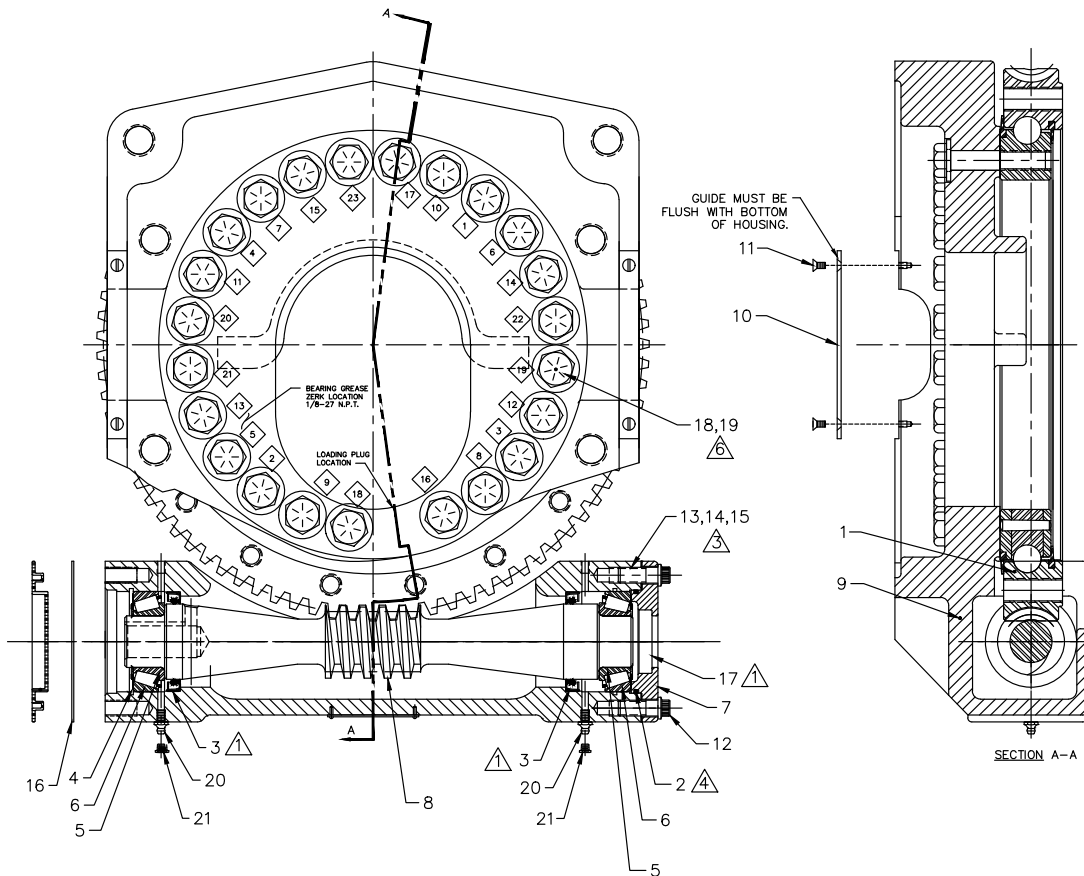
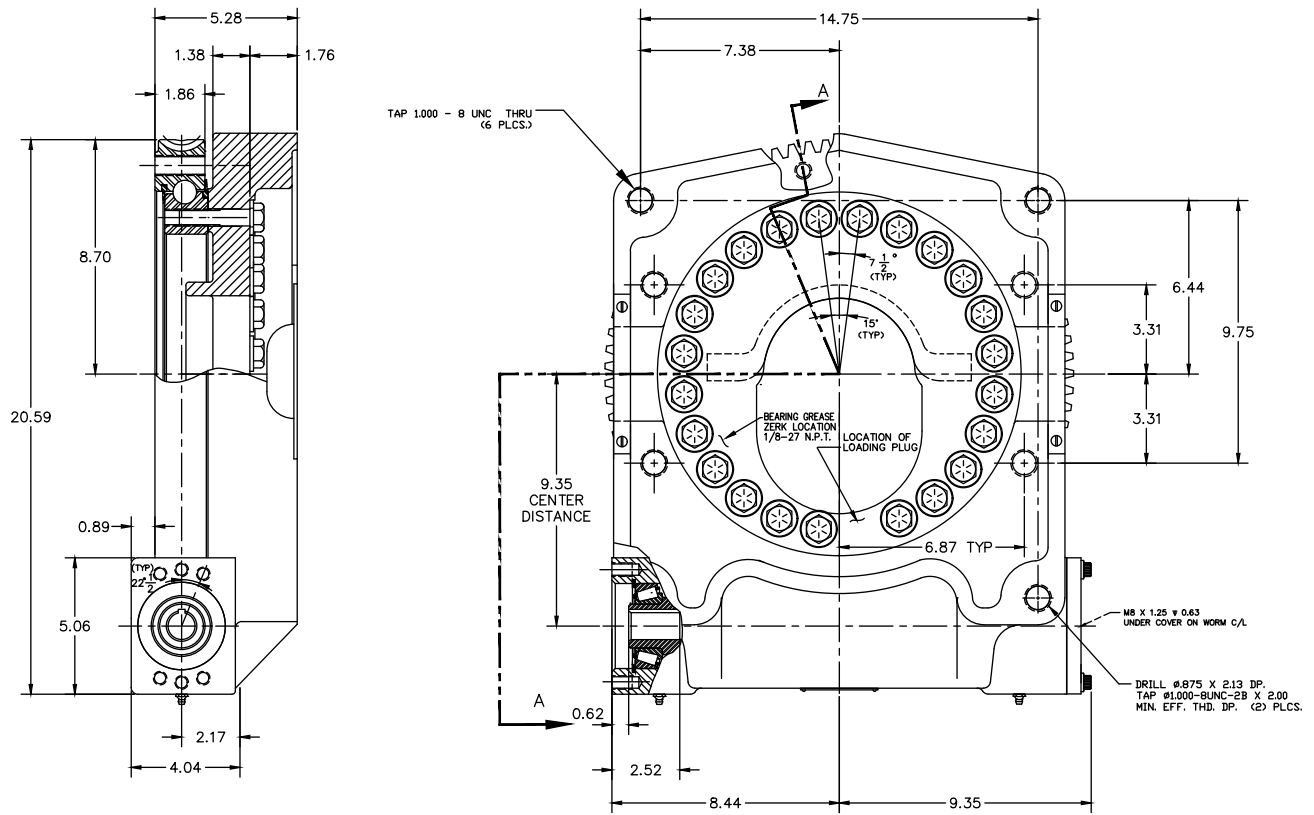
ITEM NO.	PART NO.	DESCRIPTION	KIT NO.	QTY.
1.	91723059	KIT-HRDW BASE & MAST 7500-10000		1
2.	91723579	KIT-HRDW WINCH MNT S3 CRANES		1
3.	91723543	KIT-HRDW VB MNT HAWE		1
4.	51719413	KIT-HRDW TELE CRANE RADIO CONTROLS		1
5.	91725205	KIT-HRDW SERIES III		1
6.	91726825	KIT-HYD BG4-BG6 SERIES III FP		A/R
7.	91726824	KIT-HYD BG4-BG6 SERIES III SP		A/R
8.	51723610	CORD REEL ASM- 30FT W/PACKARD W/DEUTSCH		1
9.	51722956	CYL-5.25/2.50 25.07S 45.52CC C		1
10.	51723604	CYL ASM-2.50/1.50 2.75/1.75 204.0S 144.6		1
11.	52725172	MAST WLDMNT-SERIES III		1
12.	52725160	WLDMNT-LOWER BOOM 7500/10000		1
13.	52723024	WLDMNT-2ND STAGE EXT BOOM 7500/10000		1
14.	52723030	PIN-TYPE M 1.50X 3.38		1
15.	52725155	WLDMT- A2B BRKT		1
16.	52725153	WLDMT-FLIP SHEAVE 7500/8600		1
17.	52725066	WLDMT- SNATCH BLOCK 9500/10000		1
18.	51727982	KIT-A2B LIMIT SWITCH		1
19.	60030255	SHEAVE- 9.00 POLYMER		1
20.	60030336	WEAR PAD-RC .19 X 6.00 X 6.00		1
21.	60030337	WEAR PAD-RND 0.19X 2.00X 1.00X 1.00		2
22.	60030421	WEAR PAD-RC 0.25X 6.00X 6.00		1
23.	60030422	WEAR PAD-RND SIII EXT CYL		1
24.	60030423	WEAR PAD-RC 0.25X 6.00X 2.25		4
25.	60030425	WEAR PAD-RND 0.44X 1.25X .50X .50		2
26.	60030428	WEAR PAD-RND 0.25X 2.00X .75X .44		4
27.	70034490	PLATE-ANGLE PLASTIC 3.50"		2
28.	60109337	RETAINER PLT-PIN 3.00 DIA		1
29.	60120138	SLIDE-ROTATION STOP 3816		1
30.	60128849	GEAR GUARD 6025 SII		1
31.	60140899	CAP-LOWER BOOM CABLE GUIDE 9500-14000	114	1
32.	60135668	CAP-FIRST STAGE		1
33.	60135669	PIN-TYPE A 1.25X 6.89 (6.46)		1
34.	60135833	RETAINER-1ST STAGE EXT CYL		2
35.	70029595	THREADED PLUG 1.00-8 (3816)		2
36.	70145121	COLLAR-SHAFT 2 PIECE 7/8 IN.		1
37.	70399044	TAPE-REFLECTIVE RED/SILVER 1.25X108.00		2
38.	70399045	TAPE-REFLECTIVE RED/SILVER2.00X108.00		2
39.	70580203	WIRE ROPE ASM-.44(6X25)X130FT LH LAY		1
40.	70734957	TRANSM-RAD REM TELE S3 FP NON-G FHSS 240		A/R
41.	70735093	TRANSM-RAD S3 SP EM 5LED FHSS 2400		A/R
42.	70734958	TRANSM-RAD REM TELE S3 FP GATED FHSS 240		A/R
43.	70734960	RECEIVER-RAD REM TELE S3 FP FHSS 2400		A/R
44.	70735094	RECEIVER-RAD S3 SP 5LED FHSS 2400		A/R
45.	71056577	GEAR ROTATOR-6025/6625 0.75 BOLTS		1
46.	76039295	GASKET-GEA19 008-10056-1	45	1
47.	71414205	PLATE-SINGLE SHEAVE (20#) .50 WIRE ROPE		1
48.	70570771	WINCH-PLANETARY 6000LB LINE PULL		1
49.	72034485	CLAMP-PLASTIC 1/4" CABLE		9
50.	72063038	MACHY BUSHING 2.00X14 GA NR		A/R
51.	72063039	MACHY BUSHING 2.00X10 GA NR		A/R
52.	72661641	PIN-QUICK 5/16-2-1/16 ZINC YELLOW		1
53.	73051919	MOTOR-HYD (101-2638-009)		1
54.	73734565	PIN-LOCK W/HANDLE 1.00 X 3.50 W/HAIRPIN		3
55.	73734727	VALVE BANK-4-SECT PSL2 W OC INLT		A/R
56.	77441481	HARNES-TELE RADIO REMOTE SERIES III		1
57.	72063116	WASHER .75 N FLAT H ASTM F436Z	1	22
58.	72601629	CAP SCR .75-10X 4.00 HH GR8 Z	1	4
59.	72601817	CAP SCR .75-10X 3.25 HH GR8 Z	1	14

ITEM NO.	PART NO.	DESCRIPTION	KIT NO.	QTY.
60.	72062108	NUT .50-20 HEX GRC Z TOP LOCK	2	4
61.	72063132	WASHER .50 FLAT ASTM F436	2	4
62.	72602082	STUD .50-20X 2.75 DBL .50-13 GR8 STL	2	4
63.	72601797	WASHER-LOCK 8MM	3	4
64.	72602065	WASHER-FLAT M 8	3	4
65.	72602052	CAP SCR M 8-1.25X 16 HHZ	3	4
66.	72062194	NUT-SS .25-20 NYLOC	4	2
67.	72063166	WASHER-FLAT .25 R WRT 18-8 .620D SS	4	2
68.	72601846	CAP SCR .25-20X 1.25 HH SS	4	2
69.	70034382	CAP-GREASE PRO20 GC-RED	5	6
70.	71413185	SPRING-.105WIRE 0.75OD 2.875 LG	5	1
71.	72034479	PLUG-PLSTC .50-13X .50 UNC-2B	5	2
72.	72053301	COUPLING-GLV .12 SCH 40	5	1
73.	72053508	ZERK-NPT .12	5	4
74.	72060000	CAP SCR .25-20X .50 HH GR5 Z	5	2
75.	72060044	CAP SCR .38-16X .75 HH GR5 Z	5	8
76.	72060147	CAP SCR .62-11X 1.00 HH GR5 Z	5	1
77.	72060206	CAP SCR .75-10X 2.00 HH GR8 Z	5	1
78.	72060639	SCR-MACH 10-24X 1.25 RDH	5	2
79.	72060893	CAP SCR .38-16X 3.25 HH GR5 Z	5	2
80.	72062000	NUT .25-20 HEX	5	3
81.	72062093	NUT # 8-32 HEX ZINC	5	2
82.	72062103	NUT .38-16 HEX NYLOCK	5	2
83.	72062104	NUT .25-20 HEX NYLOCK	5	6
84.	72062106	NUT 10-24 HEX NYLOCK	5	8
85.	72063001	WASHER .25 FLAT	5	17
86.	72063003	WASHER .38 FLAT	5	9
87.	72063010	WASHER 1.00 FLAT	5	1
88.	72063035	MACHY BUSHING 1.25X10 GA NR	5	2
89.	72063049	WASHER .25 LOCK	5	2
90.	72063051	WASHER .38 LOCK	5	8
91.	72063116	WASHER-FLAT .75 N H ASTM F436 Z	5	1
92.	72063132	WASHER .50 FLAT ASTM F436	5	17
93.	72063271	WASHER # 8 W FLAT ANSI B27.2Z	5	2
94.	72066129	RETAINING RING-EXT 1.25 HD	5	2
95.	72601938	BOLT-EYE # 8-32X 1.125	5	1
96.	72601949	CAP SCR .50-13X 1.25 SH ZC	5	2
97.	72602085	BOLT-SHLDR .38X 1.25 (5/16 THDS) SS	5	1
98.	72661543	PIN-QUICK 316-10QP	5	3
99.	72661694	BRIDLE RING 1-1/12ID X 1/4-20	5	3
100.	51395121	HOSE-AA .13 X 13.50 OAL (2-2)	6	1
101.	72532355	ADPTR-M STR/M JIC 6 6	6	1
102.	72532356	ADPTR-M STR/M JIC 8 6	6	4
103.	72532357	ADPTR-M STR/M JIC 6 8	6	1
104.	72532358	ADPTR-M STR/M JIC 8 8	6	3
105.	72532359	ADPTR-M STR/M JIC 10 8	6	2
106.	72532361	ADPTR-M STR/M JIC 8 10	6	1
107.	72532670	ELBOW-M JIC/45/F JIC 8 8	6	1
108.	72532700	ELBOW-M STR/90/M JIC XLG 6 6	6	2
109.	72533583	ELBOW-M STR/45/M JIC 8 6	6	1
110.	72533613	ADPTR-M STR/M JIC 10 6	6	2
111.	72060004	CAP SCR .25-20X 1.00 HH GR5 Z	5	8
112.	60144215	COVER-VALVE BANK SIII		1
113.	60140840	BRKT-MAST VB 7500-10000L		2
114.	93725207	KIT-CABLE GUIDE 9500/14000		1
115.	73734472	VALVE BANK-MOD.INLET (PW) 12VDC IP69		A/R
116.	77441537	HARNESS-S3 TELE S-PROP VALVE BANK CERVIS		A/R
117.	60030486	SPACER-A2B BRACKET		2
118.	60140935	GUIDE - CABLE WEAR (WIDE)	114	1
119.	60140938	BRKT - CABLE GUIDE (WIDE)	114	1
120.	72060006	CAP SCR .25-20X 1.50 HH GR5 Z	114	2

ITEM NO.	PART NO.	DESCRIPTION	KIT NO.	QTY.
121.	72062104	NUT .25-20 HEX NYLOCK	114	2
122.	60143076	BRKT-MAST VB 7500-10000L FP		1
123.	72534898	O-RING EXTENDER 08-08		1
124.	71415691	TUBE ASM-PRESSURE FILTER S3FP LARGE MAST		1
125.	73052156	FILTER-PRES 4000PSI 25GPM 10MIC -12		1
126.	72053767	ELBOW-M STR/90/M JIC 12 12		1
127.	72533623	ELBOW-M STR/90/M JIC 8 12		1
128.	72532686	PLUG-STR SOC HD STL 8 (.75 THD)	6	1
129.	72062207	NUT 8-32 HEX NYLOCK		1
130.	72034572	CLAMP-PLASTIC .38 CABLE		1
131.	70735099	HOOK-SWVL POS LOCK BBRG 5TON		1
132.	72063186	WASHER-FLAT .38 N H ASTM F436		4
133.	72602158	CAP SCR .50-13X 1.75 HH GR5 YZ		12
134.	72602160	WASHER- LOCK .50 YZ		12
135.	52727068	WLDMNT-1ST STAGE EXT BOOM 12000		1
136.	71415016	KEEPER-PIN .62		3
137.	72060149	CAP SCR HH 5/8-11 UNC - 1.50 GR5 Z		3
138.	72063055	WASHER-LOCK 5/8 ZINC		3
139.	60140916	PIN-TYPE NN 2.00X 9.50		1
140.	60140915	PIN-TYPE NN 2.00X13.75		2
REV. DP CN1111				

This page left intentionally blank

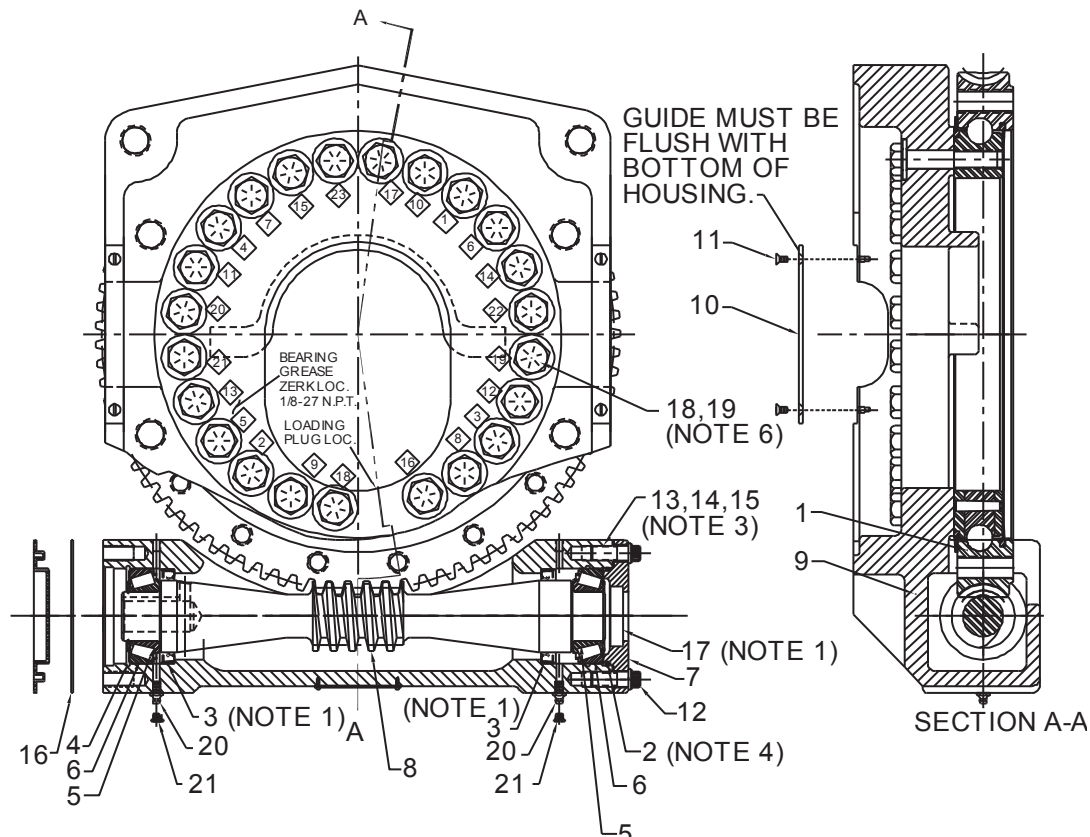
Gear Rotator (71056577)



71056577 PARTS LIST

ITEM NO.	PART NO.	DESCRIPTION	QTY.
1.	71056607	GEAR BEARING-TURNTABLE FOR 7105657	1
2.	70395074	ORING-PARKER #2-234	1
3.	70395076	SEAL-NAT'L #470565	2
4.	70145786	RING-SMA[SJR:X RRM-315	1
5.	70055271	GEAR BEARING-TURNTABLE FOR 71056577	2
6.	70055281	BRG-CUP TIMKEN 26830	2
7.	70145501	RETAINER-BEARING 3816	1
8.	70056550	WORM 170-10024-1	1
9.	70146322	HOUSING-MAIN 6625	1
10.	70145848	HOSE GUIDE	1
11.	72601754	SCR SLT FH1 .25-20 MC X 0.50	2
12.	72601733	CAP SCR-FERRY 1/2NCX1.25 3816	4
13.	73145506	SHIM-METAL (.005 THK) 3816	2
14.	73145505	SHIM-METAL (.015 THK) 3816	1
15.	73145504	SHIM-METAL (.030 THK) 3816	1
16.	76039295	GASKET-GEA19 008-10056-1	1
17.	72533604	PLUG-EX CUP DORM#555-069	1
18.	72601817	CAP SCR 75-10X 3.25 HH GR8 Z	23
19.	72063116	WASHER .75 N FLAT H ASTM F436Z	23
20.	72533605	ZERK-ALEMITE 1792B	2
21.	72533439	VENT PLUG-ALEMITE 328224	2
REV. C CN1194			

7500-30' Gear Rotator (71056577)



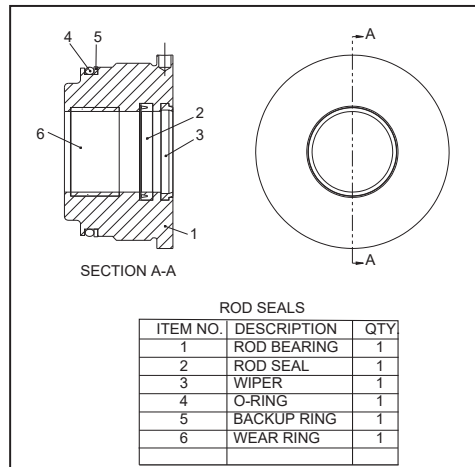
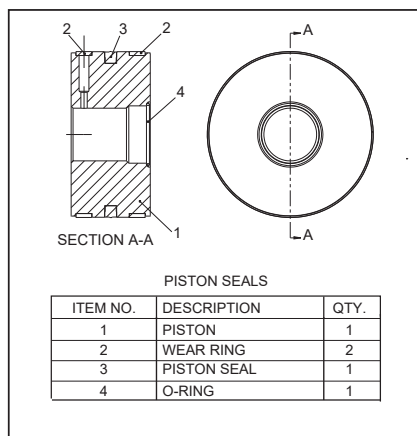
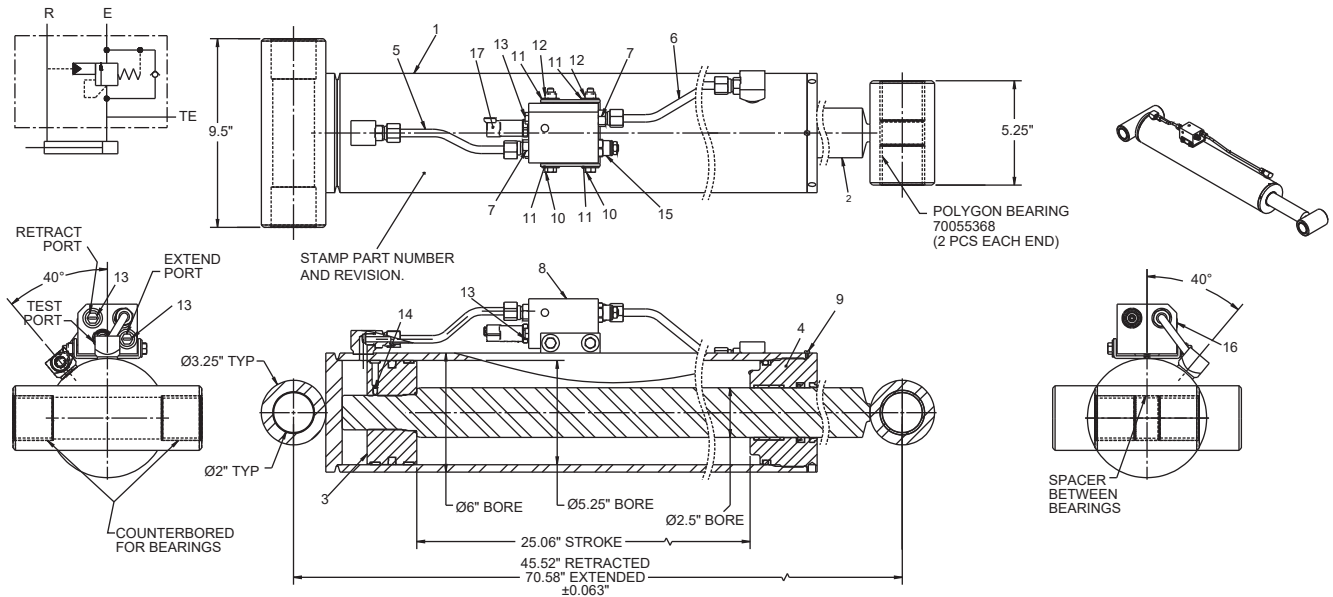
NOTES;

1. INSTALL SEALS #3 & #17 WITH LOCTITE PLASTIC GASKET ON O.D. LUBRICATE SEAL SURFACE BEFORE ASSEMBLY.
2. PACK CAVITIES WITH EPO GREASE.
3. SHIM TO OBTAIN 0.000/0.004" END PLAY ON WORM SHAFT.
4. LUBRICATE O-RING #2 WITH WORM GEAR OIL BEFORE INSTALLING.
5. SET BACKLASH BETWEEN WORM AND ROTATION BEARING 0.005 -0.012". TIGHTEN BOLTS NUMBERED 1, 2, 3, 4.
6. TIGHTEN 3/4-10UNC GRADE 8 MOUNTING BOLTS AS FOLLOWS:
 - A. TIGHTENING MUST BE PROGRESSIVE AND AT 180°. FIRST INTERVAL AT 130 FT-LB. SECOND INTERVAL AT 280 FT-LB, THIRD INTERVAL AT 380 FT-LB.
 - B. TIGHTEN BOLTS IN ORDER SHOWN IN DIAMONDS.
7. DO NOT USE LOCTITE ON MOUNTING BOLTS.

71056577 PARTS LIST

ITEM NO.	PART NO.	DESCRIPTION	QTY.
1.	71056607	GEAR BEARING	1
2.	70395074	O-RING	1
3.	70395076	SEAL	2
4.	70145786	SNAP RING	1
5.	70055271	CONE BEARING	2
6.	70055281	CUP BEARING	2
7.	70145501	RETAINER, BEARING	1
8.	70056550	WORM	1
9.	70146322	MAIN HOUSING	1
10.	70145848	HOSE GUIDE	1
11.	72601754	SCREW SLT FH1.25-20 NC X 1/2	2
12.	72601733	CAP SCREW FERRY 1/2NCX1-1/4	4
13.	73145506	SHIM, METAL (0.005)	2
14.	73145505	SHIM, METAL (0.015)	1
15.	73145504	SHIM, METAL (0.030)	1
16.	76039295	GASKET	1
17.	72533604	PLUG	1
18.	72601817	CAP SCREW 3/4-10X3-1/4 HHGR8	23
19.	72063116	WASHER 3/4 FLAT	23
20.	72533605	ZERK	2
21.	72533439	VENT PLUG	2
REV. B			

10000-30' Lower Cylinder (51722956)



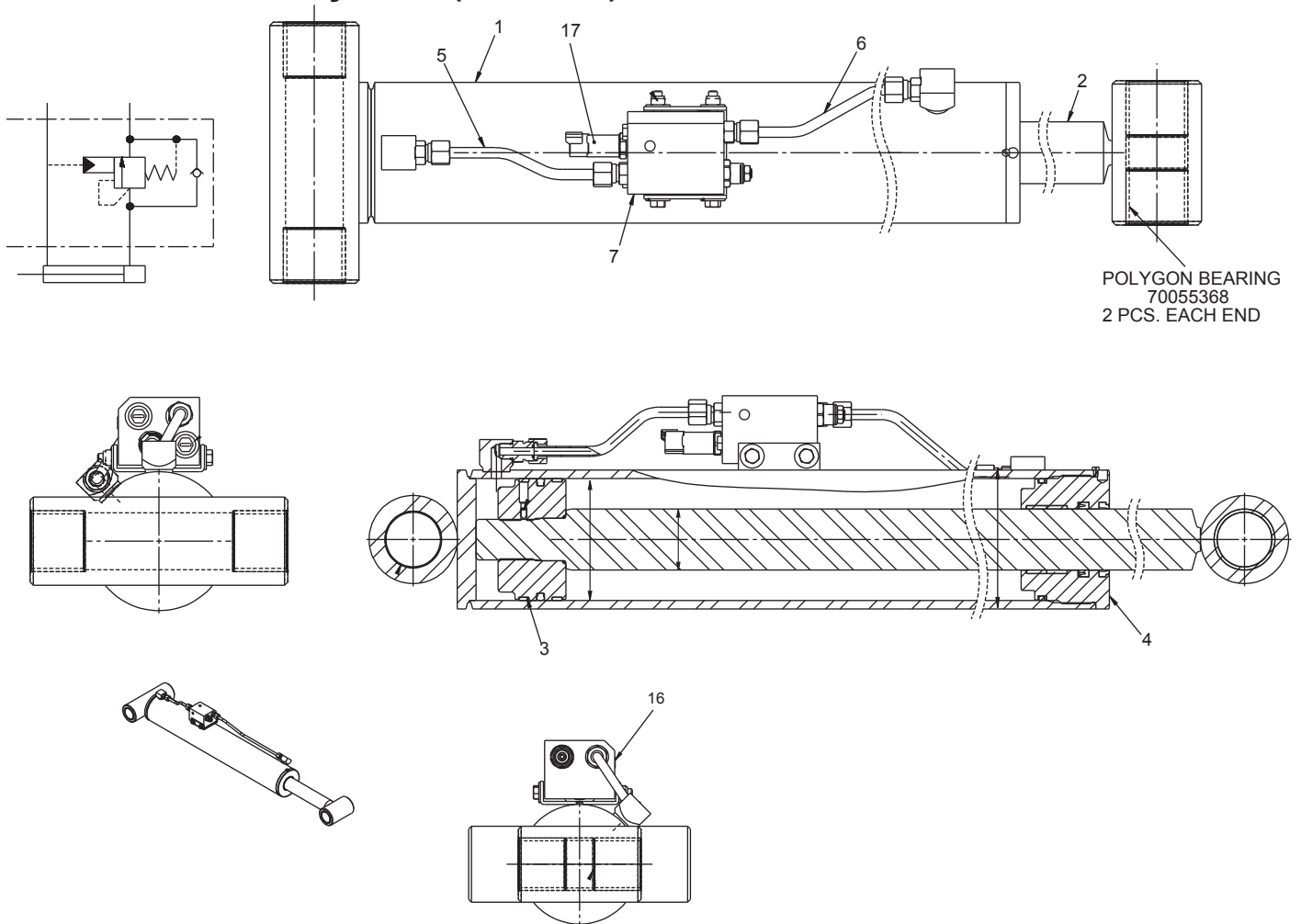
LOWER CYLINDER PARTS LIST (51722956)

ITEM NO.	PART NO.	DESCRIPTION	QTY.
1.	52723921	CASE	1
2.	5273922	ROD ASSEMBLY	1
3.	71414687	PISTON ASSEMBLY	1
4.	71414688	ROD BEARING ASSEMBLY	1
5.	71414693	TRANSFER TUBE	1
6.	71414694	TRANSFER TUBE	1
8.	73540444	VALVE BLOCK ASSEMBLY	1
15.	73540490	CBAL VALVE	1
17.	77041866	PRESSURE TRANSDUCER	1
REF	94399133	SEAL KIT	
REV. C			

NOTE:

1. SEE PART NUMBER AND REVISION STAMPED ON CYLINDER.
2. REPLACE ALL COMPONENTS OF THE SEAL KIT WHENEVER THE CYLINDER IS DISASSEMBLED TO REDUCE DOWNTIME.
3. APPLY "LUBRIPLATE" NO. 630-2 MEDIUM HEAVY, MULTI-PURPOSE LUBRICANT, TO ALL PISTON, HEAD GLAND, AND HOLDING VALVE SEALS.
4. TORQUE ROD BEARING TO 500-600 FT-LB (69-83 KG-M); PISTON SET SCREW TO 12-18 FT-LB (1.7-2.5 KG-M), AND PISTON TO 200-300 FT-LB (27.6-41.5 KG-M).
5. USE BLUE LOCKTITE ON PISTON.
6. TO LOCK THE HEAD GLAND ON THE CYLINDER, DRILL A #26 HOLE 0.25-0.30" DEEP IN A SEAM BETWEEN THE ROD BEARING AND THE CASE. INSTALL LOCKING SCREW (ITEM #9, SELF-TAPPING #8-32X.25" SET SCREW) IN THE HOLE UNTIL SEATED.

7500-30' Lower Cylinder (51722975)



POLYGON BEARING
70055368
2 PCS. EACH END

ITEM NO.	PART NO.	DESCRIPTION	QTY.
1	52723916	CASE	
2	52723917	ROD	
3	71414681	PISTON	
4	71414682	ROD BEARING	
5	71414693	TRANSFER TUBE	
6	71414694	TRANSFER TUBE	
7	73540444	VALVE BLOCK ASSEMBLY	
15	73540490	COUNTERBALANCE VALVE	
17	77041866	PRESSURE TRANSDUCER	
SEAL KIT P/N: 94399128			
REV. C			

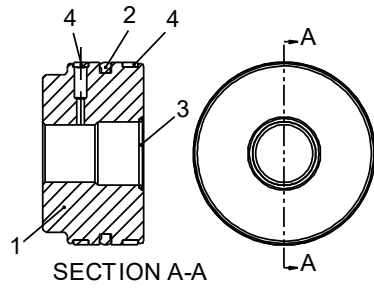
NOTES:

- SEE PART NUMBER AND REVISION STAMPED ON CYLINDER.
- REPLACE ALL COMPONENTS OF THE SEAL KIT WHENEVER THE CYLINDER IS DISASSEMBLED.
- APPLY "LUBRIPLATE" NO. 630-2 MEDIUM-HEAVY, MULTI-PURPOSE LUBRICANT TO ALL PISTON, ROD BEARING, AND HOLDING VALVE SEALS.
- TORQUE ROD BEARING TO 500-600 FT-LB (69-83 KG-M), PISTON SET SCREW TO 12-18 FT-LB (1.7-2.5 KG-CM) AND PISTON TO 200-300 FT-LB 27.6 - 41.5 KG-M).
- USE BLUE LOCTITE ON PISTON. TO LOCK THE ROD BEARING ON THE CYLINDER, DRILL A #26 HOLE 0.25-0.30" DEEP IN A SEAM BETWEEN THE ROD BEARING AND THE CASE. INSTALL THE LOCKING SCREW (SELF- TAPPING #8-32 X 0.25" SET SCREW) IN THE HOLE UNTIL SEATED.

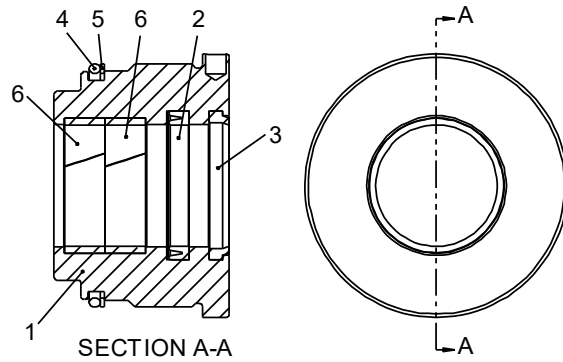
51722975-1

Seals are available in a seal kit, IMT #94399128. Seals cannot be purchased individually.

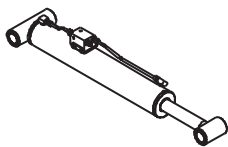
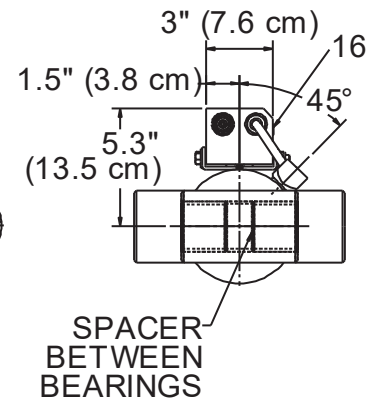
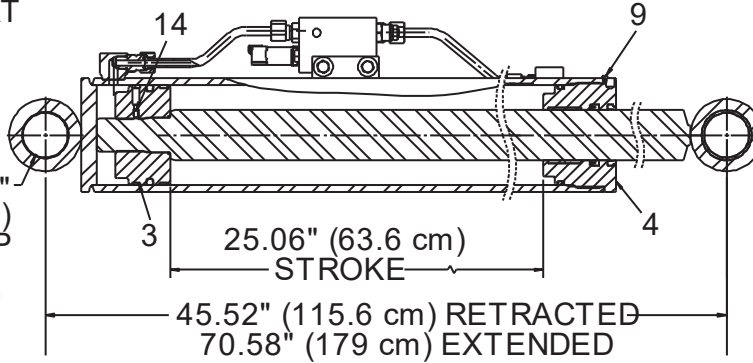
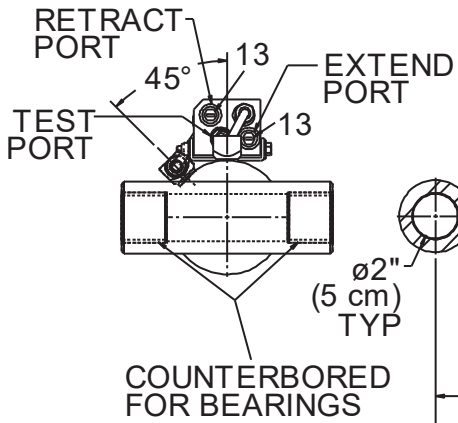
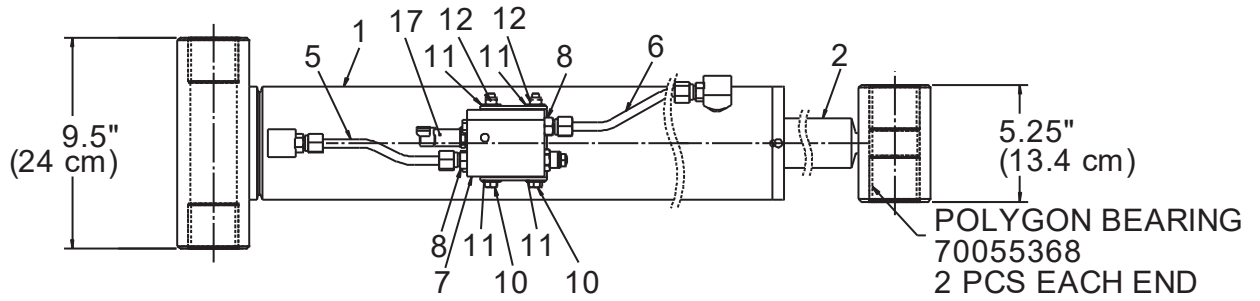
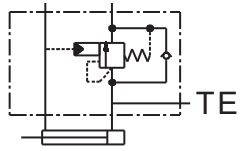
PISTON SEALS



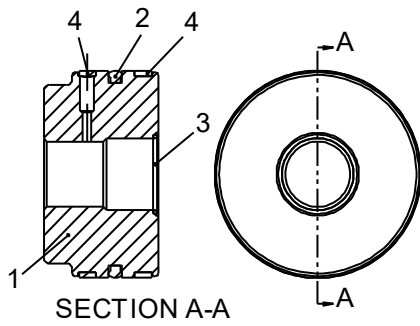
ROD SEALS



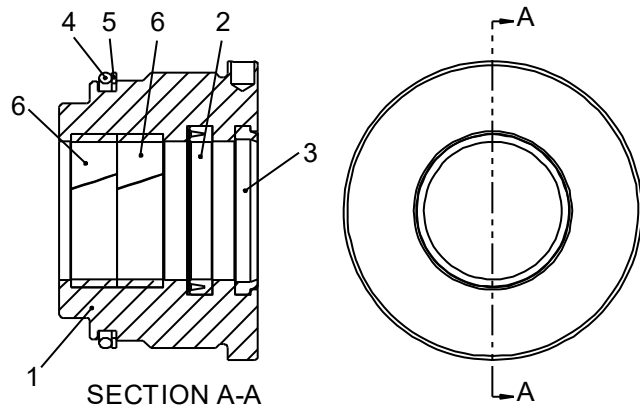
7500-30' Lower Cylinder (51722975)



**51722975-1
PISTON SEALS**



ROD SEALS



PISTON (71414681) SEALS		
ITEM	DESCRIPTION	QUANTITY
1.	PISTON	1
2.	PISTON SEAL	1
3.	O-RING	1
4.	WEAR RING (PISTON)	2

ROD BEARING (71414682) SEALS		
ITEM	DESCRIPTION	QUANTITY
1.	ROD BEARING	1
2.	ROD SEAL	1
3.	WIPER	1
4.	O-RING	1
5.	BACKUP RING	1
6.	WEAR RING	2

NOTES (SEE REFERENCE NUMBER IN BOX):

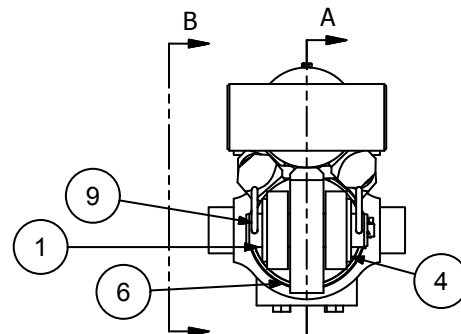
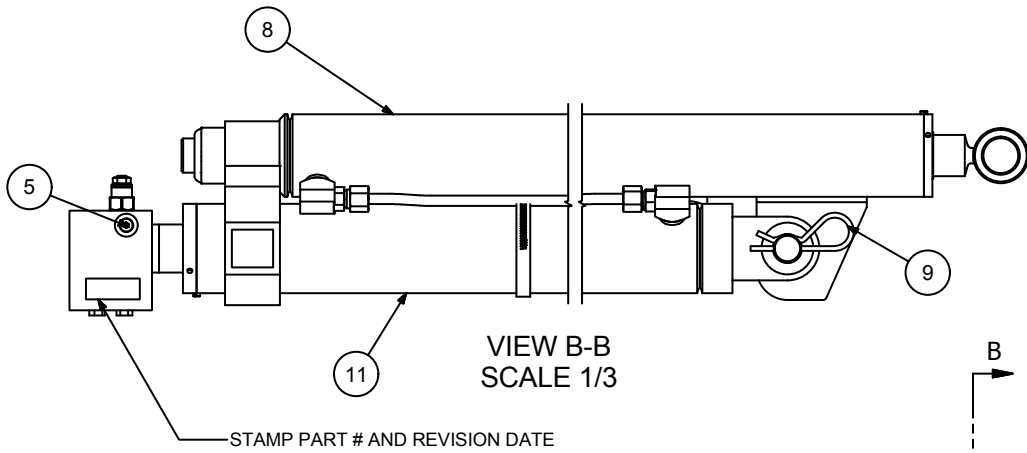
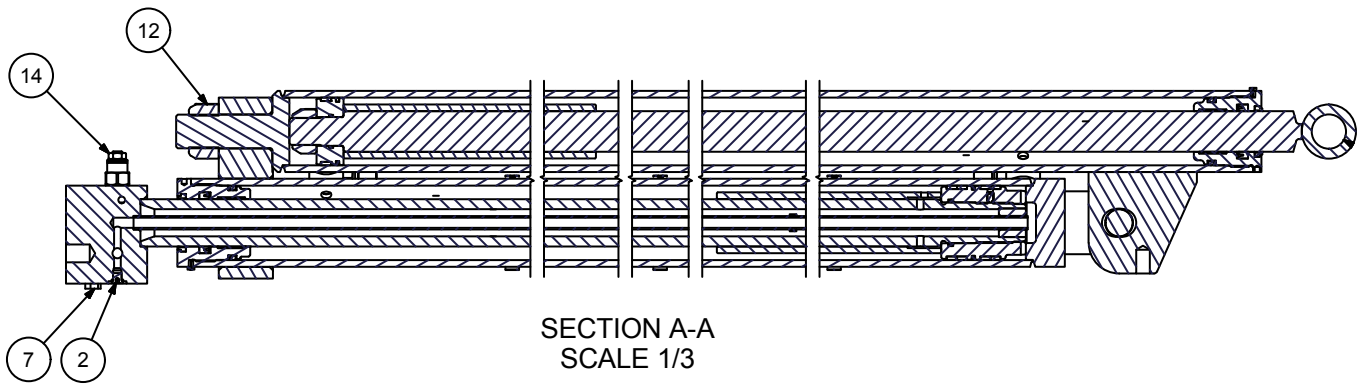
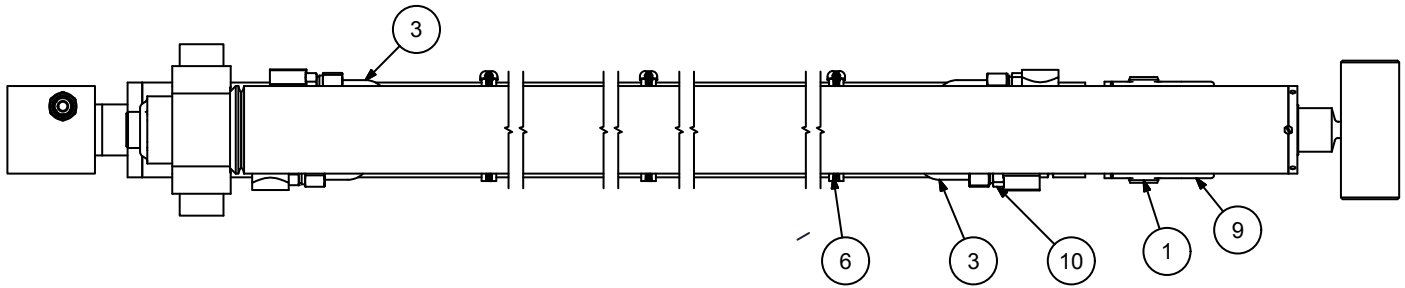
- 1 SEE PART NUMBER AND REVISION STAMPED ON CYLINDER
- 2 REPLACE ALL COMPONENTS OF THE SEAL KIT WHENEVER THE CYLINDER IS DISASSEMBLED TO REDUCE DOWNTIME.
- 3 APPLY "LUBRIPLATE" NO 630-2 MEDIUM-HEAVY, MULTI-PRO LUBRICANT TO ALL PISTON, HEAD GLAND AND HOLDING VALVE SEALS.
- 4 TORQUE ROD BEARING TO 500-600 FT-LB (69-83 KG-M); PISTON TO 200-300 FT-LB (27.6-41.5 KG-M); AND PISTON SET SCREW TO.
- 5 USE BLUE LOCKTITE ON PISTON.
- 6 TO LOCK THE HEAD GLAND ON THE CYLINDER, DRILL A #26 HOLE 0.25-0.30" (6-7.6 mm) DEEP IN A SEAM BETWEEN THE ROD BEARING AND THE CASE. INSTALL LOCKING SCREW (ITEM #9, SELF-TAPPING #8-32 X .25" SET SCREW) IN THE HOLE UNTIL SEATED.

51722975 COMPLETE PARTS LIST

ITEM NO.	PART NO.	DESCRIPTION	QTY
1.	52723916	CASE	1
2.	52723917	ROD	1
3.	71414681	PISTON	1
4.	71414682	ROD BEARING	1
5.	71414693	TRANSFER TUBE	1
6.	71414694	TRANSFER TUBE	1
7.	73540444	VALVE BLOCK ASSEMBLY	1
8.		FITTING ADAPTER	4
9.		LOCKING SCREW SELF-TAPPING #8-32 X .25"	1
10.		BOLT 5/16"-18 X 4.00 HEX GRADE 5	2
11.		WASHER .31 FLAT	4
12.		NUT .31-18 NYLOC	2
13.		PLASTIC PLUG SAE O-RING #6	3
14.		SET SCREW .250-20 UNC NYLON TIP	1
15.	73540490	COUNTERBALANCE VALVE 3300 PSI	1
16.		PLUG STEEL SAE O-RING #4	1
17.	77041866	PRESSURE TRANSDUCER	1
USE SEAL KIIT: 94399128			
REV. C			

Items shown are common service items, for part numbers not assigned contact:
IOWA MOLD TOOLING CO., INC.
TECHNICAL SUPPORT TEAM
TELEPHONE: 800-554-4421

Extension Cylinder Assembly (51723604)



51723604 PARTS LIST

ITEM NO.	PART NO.	DESCRIPTION	QTY.
3.	71414720	TUBE LINE	2
8.	51723931	CYL – 2.5/1.5 102.00S 143.62CC C	1
11.	51723927	CYL – 2.75/1.75 102.00S 139.94CC C	1
14.	73540565	VALVE CBAL 15 GMP 4.5:1 T11 – A @ 4000 PSI	1
REV. D CN262			

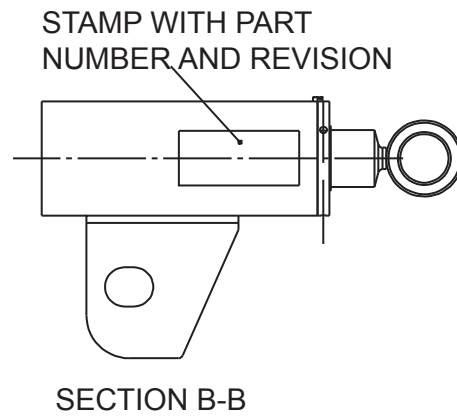
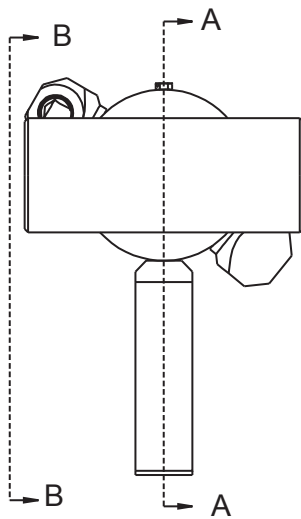
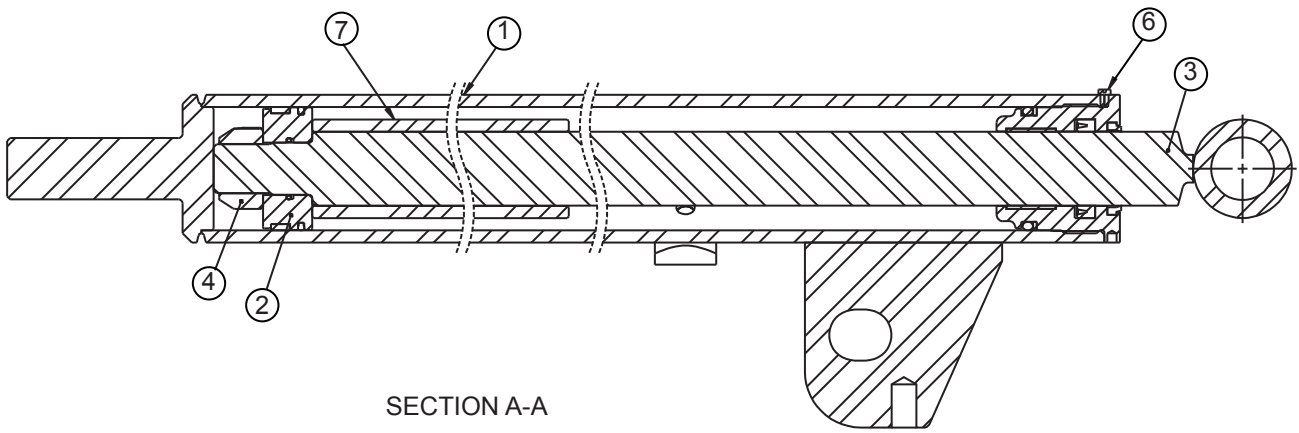
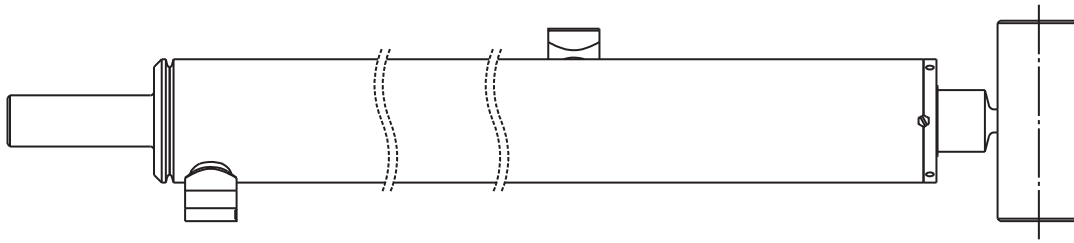
NOTES:

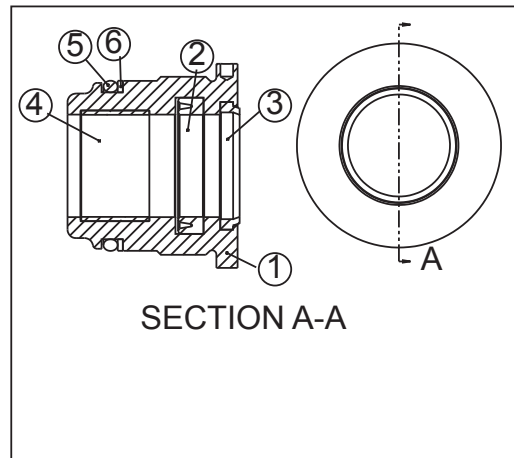
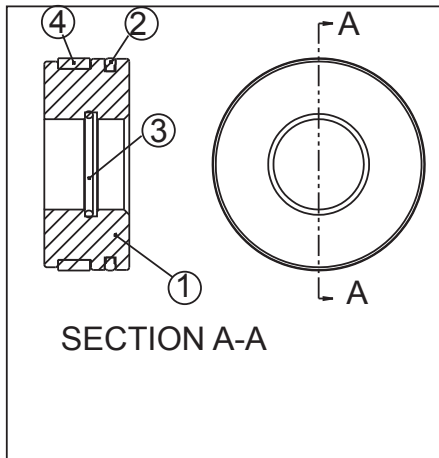
1. TEST CYLINDER AT 3500 PSI.
2. TORQUE NUT #12 (1.25-12 UNF) TO 810.7 FT-LB (112 KG-M).
3. PAINT BLACK SEMI-GLOSS.
4. INSTALL HOSE CLAMPS AFTER PAINT.

Items shown are common service items, for part numbers not assigned contact:

IOWA MOLD TOOLING CO., INC.
TECHNICAL SUPPORT TEAM
TELEPHONE: 800-554-4421

Cylinder (51723931)



51723931-1

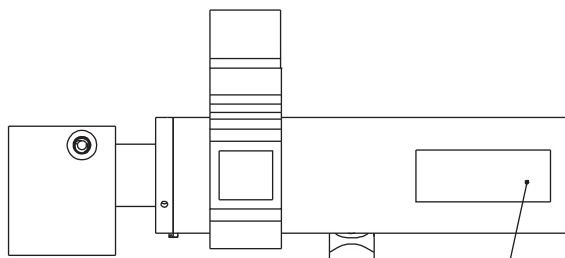
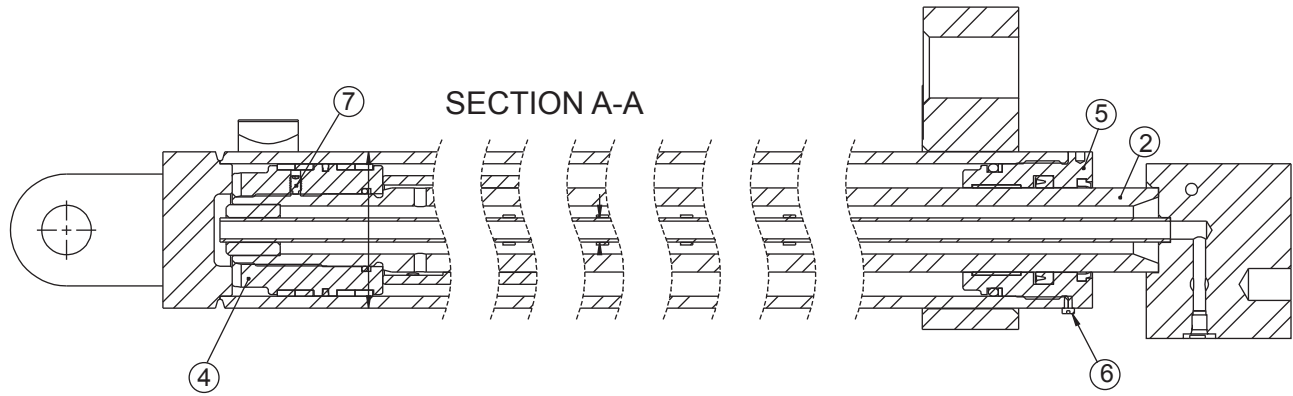
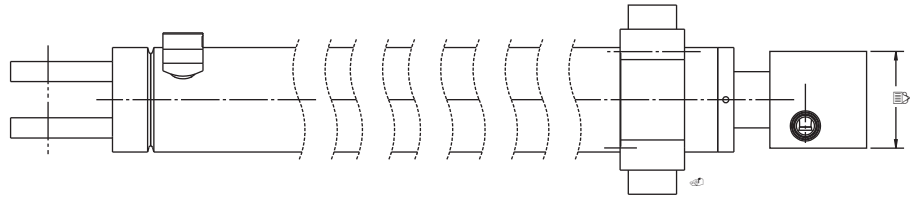
ITEM NO.	PART NO.	DESCRIPTION	QTY.
1.	52724028	CASE	1
2.	71414724	PISTON ASSEMBLY	1
3.	52724029	ROD ASSEMBLY	1
4.		SELF-LOCKING NUT 1.00-14 UNF	1
5.	71414723	ROD BEARING ASSEMBLY	1
6.	73050199	LOCKING SCREW	1
7.		STROKE LIMITER	1
SEAL KIT P/N: 94399160			
REV. INITIAL RELEASE			

NOTES:

1. See part number and revision stamped on cylinder.
2. Replace all components of the seal kit whenever the cylinder is disassembled to reduce downtime.
3. Apply "Lubriplate" no. 630-2 medium heavy, multi-purpose lubricant, to all piston, head gland, and holding valve seals.
4. Torque rod bearing to 200-300 ft-lb (27.7-41.5 kg-m).
5. Torque piston nut (#4) to 412.3 ft-lb (57 kg-m).
6. To lock the rod bearing assembly on the cylinder, drill a #26 hole 0.25-0.30" deep in a seam between the rod bearing and the case. Install locking screw (item #6, self-tapping #8-32x.25" set screw) in the hole until seated.
7. Seal Kit P/N: 94399160 includes all seals for cylinders 51723931.

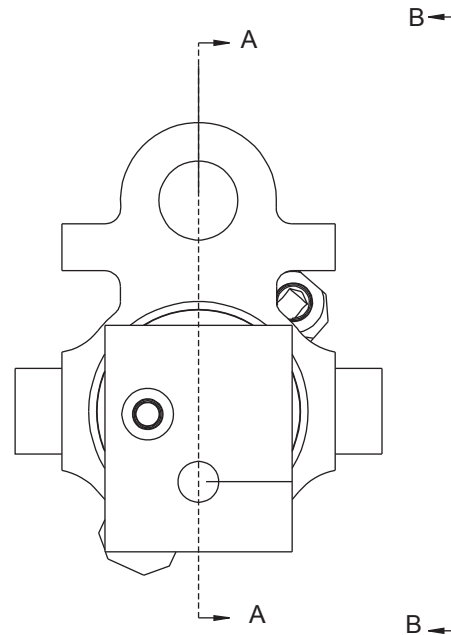
**Items shown are common service items, for part numbers not assigned contact:
IOWA MOLD TOOLING CO., INC.
TECHNICAL SUPPORT TEAM
TELEPHONE: 800-554-4421**

Cylinder (51723927)



SECTION B-B

STAMP WITH PART NUMBER AND REVISION



51723927-1 PARTS LIST

ITEM NO.	PART NO.	DESCRIPTION	QTY.
1	52724034	CASE	1
2	52724035	ROD ASSEMBLY	1
3	73050203	STROKE LIMITER	1
4	71414725	PISTON ASSEMBLY	1
5	71414726	ROD BEARING ASSEMBLY	1
USE SEAL KIT: 94399162			
REV. INITIAL RELEASE			

NOTES:

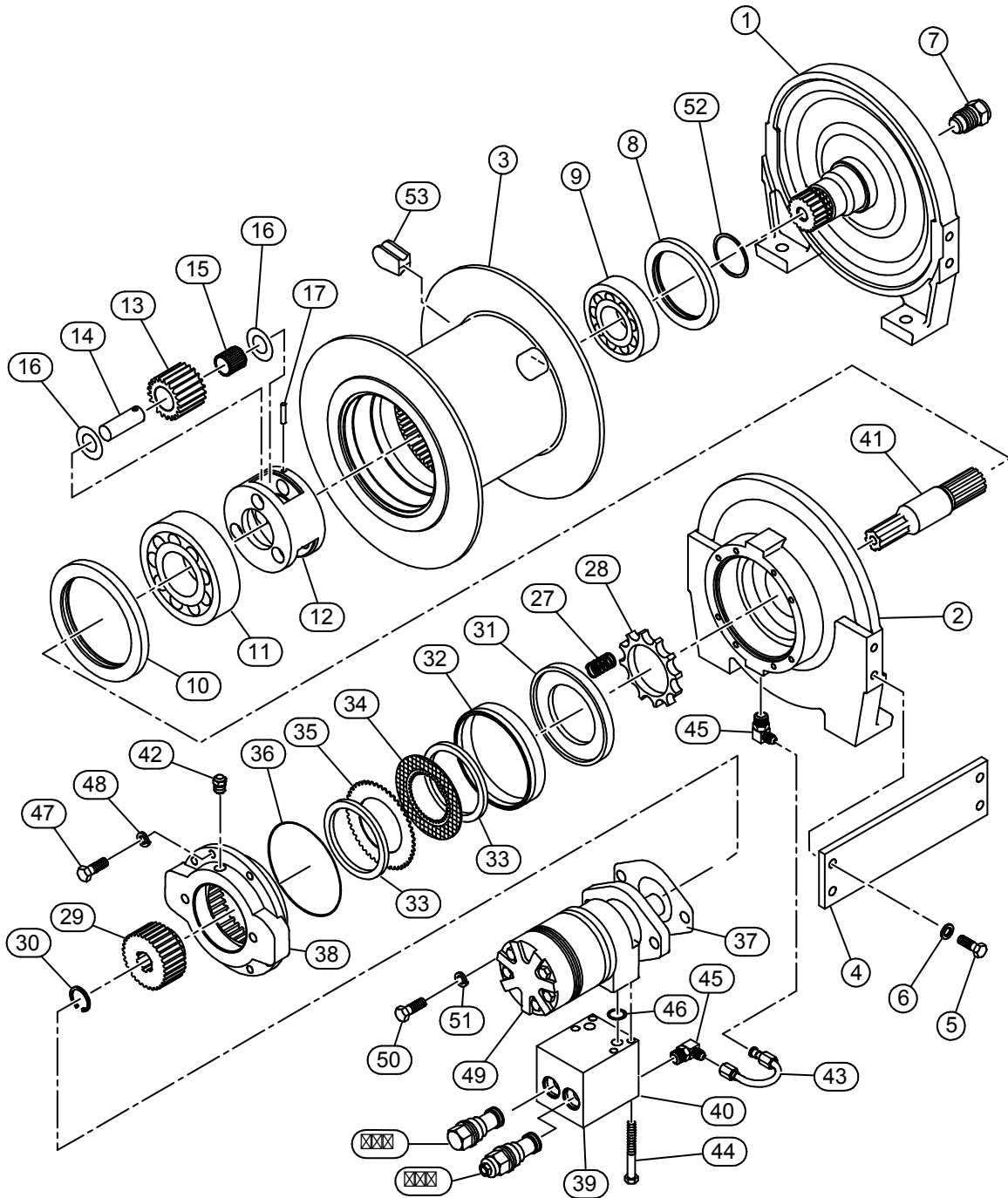
1. SEE PART NUMBER AND REVISION STAMPED ON CYLINDER.
2. REPLACE ALL COMPONENTS OF THE SEAL KIT WHENEVER THE CYLINDER IS DISASSEMBLED TO REDUCE DOWNTIME.
3. APPLY "LUBRIPLATE" NO. 630-2 MEDIUM HEAVY, MULTI-PURPOSE LUBRICANT, TO ALL PISTON, HEAD GLAND, AND HOLDING VALVE SEALS.
4. TORQUE ROD BEARING TO 200-300 FT-LB (27.7-41.5 KG-M).
5. TORQUE PISTON TO 200-300 FT-LB (27.7 - 41.5 KG-M).
6. TO LOCK THE ROD BEARING ASSEMBLY ON THE CYLINDER, DRILL A #26 HOLE 0.25-0.30" DEEP IN A SEAM BETWEEN THE ROD BEARING AND THE CASE. INSTALL LOCKING SCREW (ITEM #6, SELF-TAPPING #8-32X.25" (SET SCREW) IN THE HOLE UNTIL SEATED.
7. SEAL KIT P/N: 94399162 INCLUDES ALL SEALS FOR CYLINDERS 51723927.

ITEMS SHOWN ARE COMMON SERVICE ITEMS, FOR PART NUMBERS NOT ASSIGNED CONTACT:

**IOWA MOLD TOOLING CO., INC.
TECHNICAL SUPPORT TEAM
TELEPHONE: 800-554-4421**

This page left intentionally blank

Winch, Planetary (70570761)

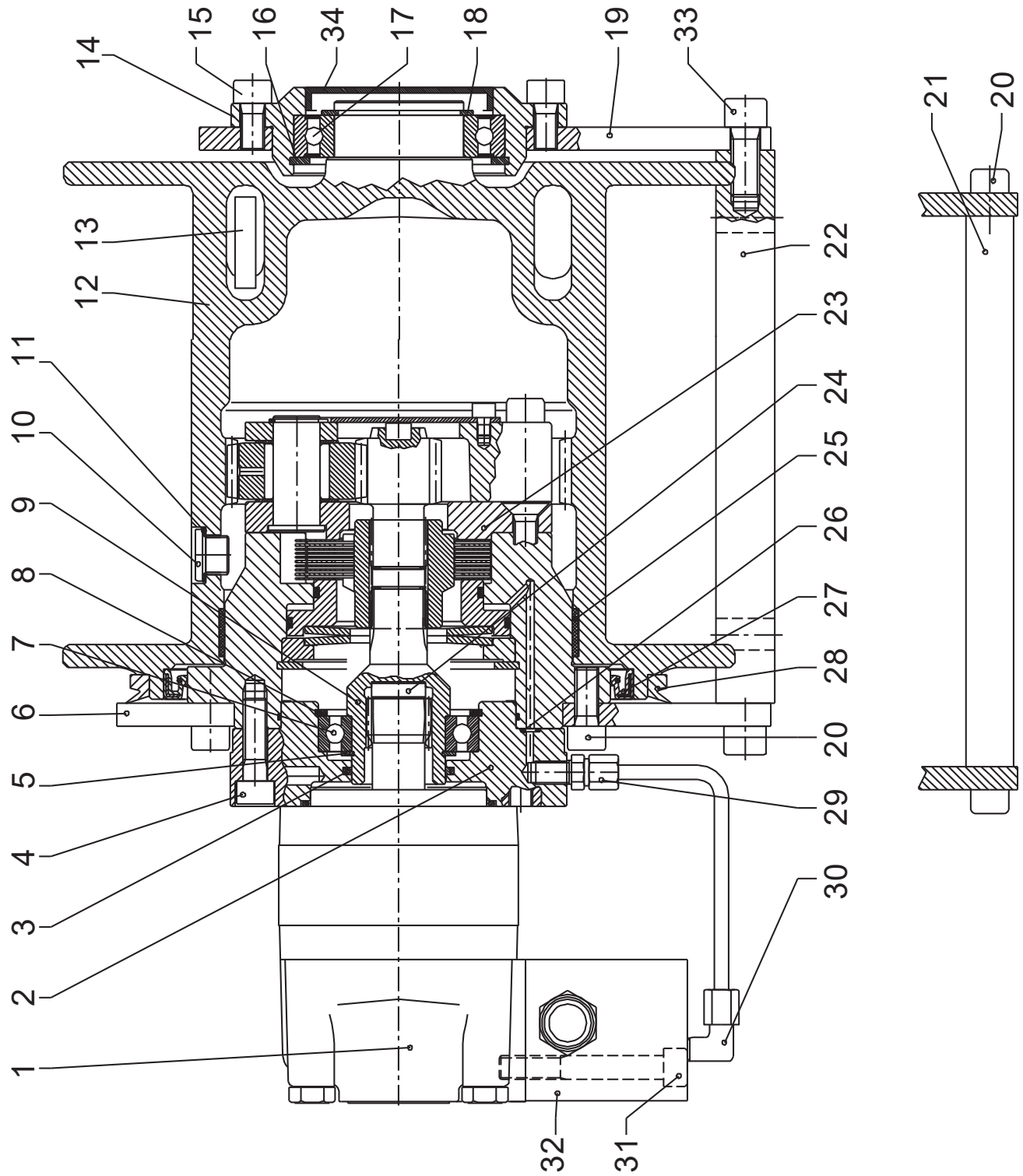


70570761 PARTS LIST

ITEM NO.	PART NO.	DESCRIPTION	QTY
9.	71411143	BALL BEARING	1
11.	71411144	BALL BEARING	1
15.	71411145	ROLLER BEARING	3
27.	71411146	SPRING	12
34.	71411147	FRICTION DISK	8
35.	71411148	STEEL DISK	9
40.	73540627	BRAKE VALVE ASM (INCLUDES 39, 40A & 40B)	1
40A.	73540620	VALVE CART-CBAL FLOR WINCH VALVE 73540627	1
40B.	73540628	VALVE CART-CHK FOR WINCH VALVE 73540627	1
42.	71411149	VENT PLUG	1
49.	73511057	HYDRAULIC MOTOR	1
53.	71411150	CABLE WEDGE	1
54.	94744136	SEAL KIT (INCLUDES ITEMS #8,10,32,36,37 & 46)	1
REV. D CN742			

NOTE: ITEMS SHOWN ARE COMMON SERVICE ITEMS, FOR PART NUMBERS NOT ASSIGNED CONTACT:
IOWA MOLD TOOLING CO., INC.
TECHNICAL SUPPORT TEAM
TELEPHONE: 800-554-4421

Winch, Planetary (71570968)



71570968 PARTS LIST

ITEM NO.	PART NO.	DESCRIPTION	QTY.
1.	73540453	HYDRAULIC MOTOR	1
2.	0251102129	MOTOR MOUNTING FLANGE	1
5.	421000600	SEEGER	1
7.	4000203000	BALL BEARING	1
8.	72661702	RETAINING RING	1
13.	70580214	WEDGE, WINCH CABLE	
23.	71056673	BRAKE UNIT (REDUCTION GEAR UNIT).	1
32.	73540308	VALVE	1
USE SEAL KIT: 94399223			
REV: INITIAL RELEASE			

NOTE:

ITEMS SHOWN ARE COMMON SERVICE ITEMS, FOR PART NUMBERS NOT ASSIGNED CONTACT:

IOWA MOLD TOOLING CO., INC
TECHNICAL SUPPORT TEAM
TELEPHONE: 800-554-4421

Winch Oil Specifications

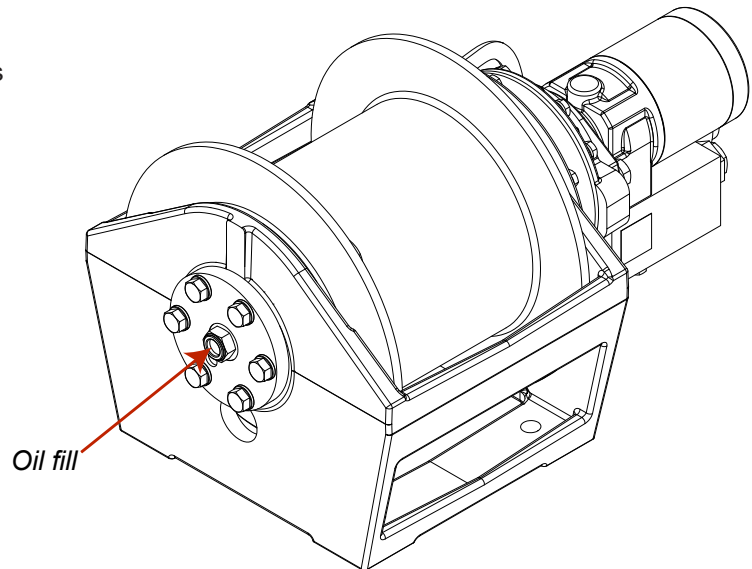
The use of proper gear oil and regular preventive maintenance will help extend gear train life and reliable winch brake performance.

OIL CHANGE FREQUENCY

Gear oil should be changed after the first 100 hours or 90 days of machine operation, and then every 1000 hours or 12 months, whichever occurs first. Gear oil should also be changed whenever the ambient temperature changes significantly, and an oil from a different temperature range would be more appropriate. Check and drain the oil using the fill plug in the winch. The winch should be at least 1/2 full.

WARM-UP PROCEDURE

Warming up the winch is recommended at start-up and at ambient temperatures below 40 °F (4 °C). Run the prime mover at its lowest recommended RPM with the hydraulic winch control valve in neutral, allowing sufficient time to warm up the system. Operate the winch at low speeds, forward and reverse, several times to prime all lines with warm hydraulic oil and to circulate gear oil through the planetary gear sets.



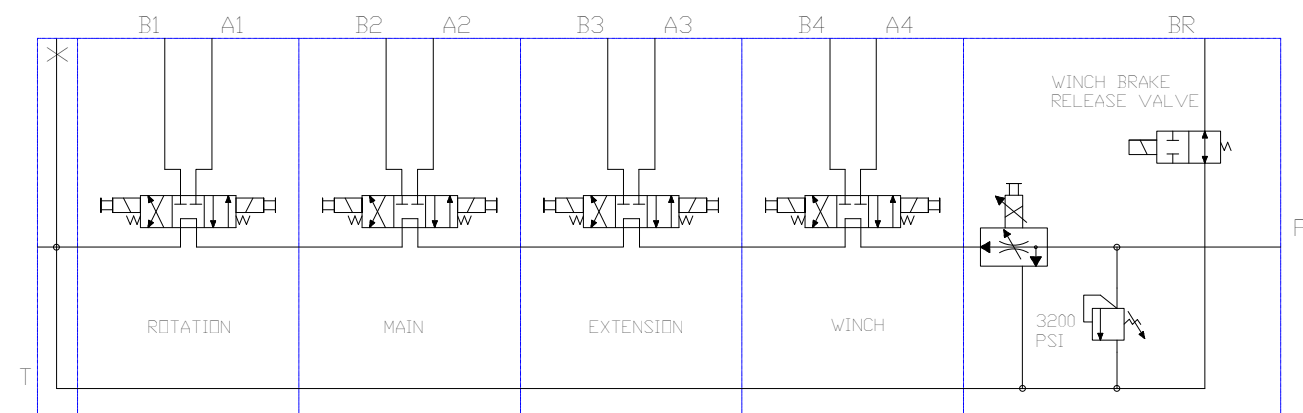
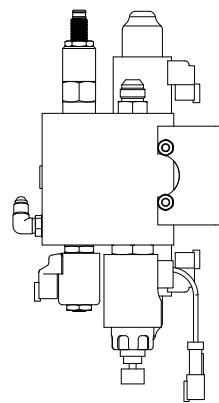
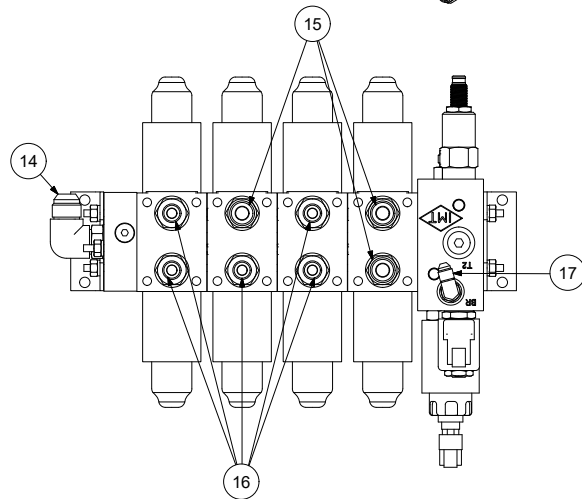
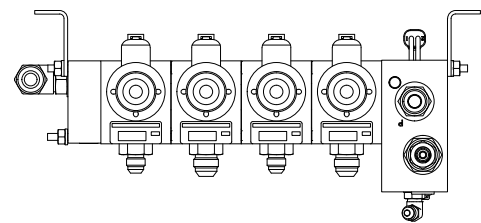
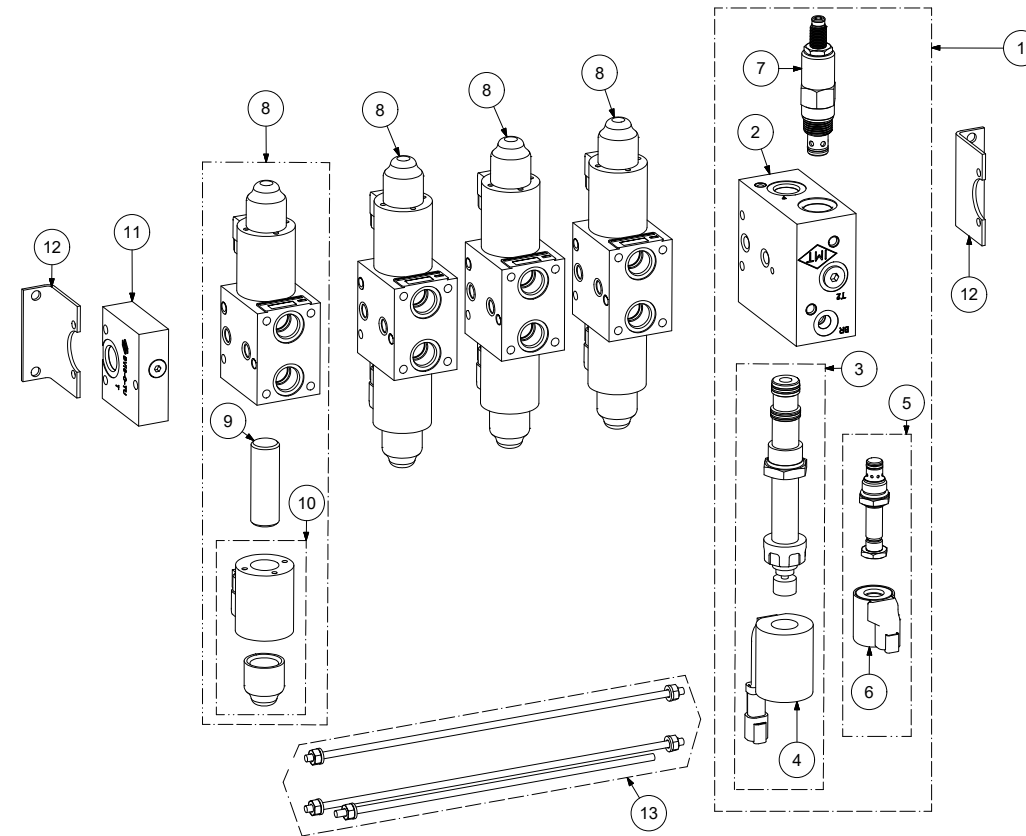
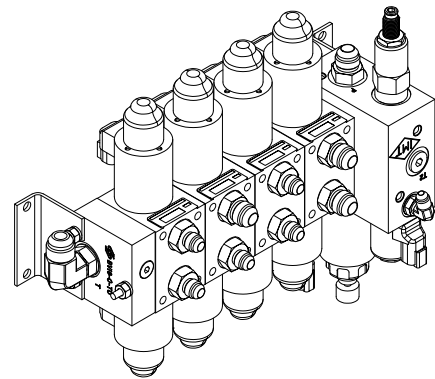
LUBRICANTS

The following lubricants are recommended based on ambient temperature. Other lubricants may work equally as well. We suggest you work with your lubricant supplier to find an equivalent product if needed. The winch is initially filled with Mobilgear 600 XP150 or equivalent.

PREVAILING AMBIENT TEMPERATURE	RECOMMENDED LUBRICANT
25 -130 °F (-4 - 54 °C)	Mobilgear 600 XP220 or equivalent (AGMA 5 EP, ISO VG 200)
10 - 100 °F (-12 - 38 °C)	Mobilgear 600 XP150 or equivalent (AGMA 4 EP, ISO VG 150) Note: Avoid using Mobilgear 600 XP150 above 80 °F (27 °C) in severe applications such as offshore lifting, sustained fast duty cycles, or frequent lifting.
-25 - 130 °F (-32 - 54 °C)	Mobil SHC 150 synthetic or equivalent

This page left intentionally blank

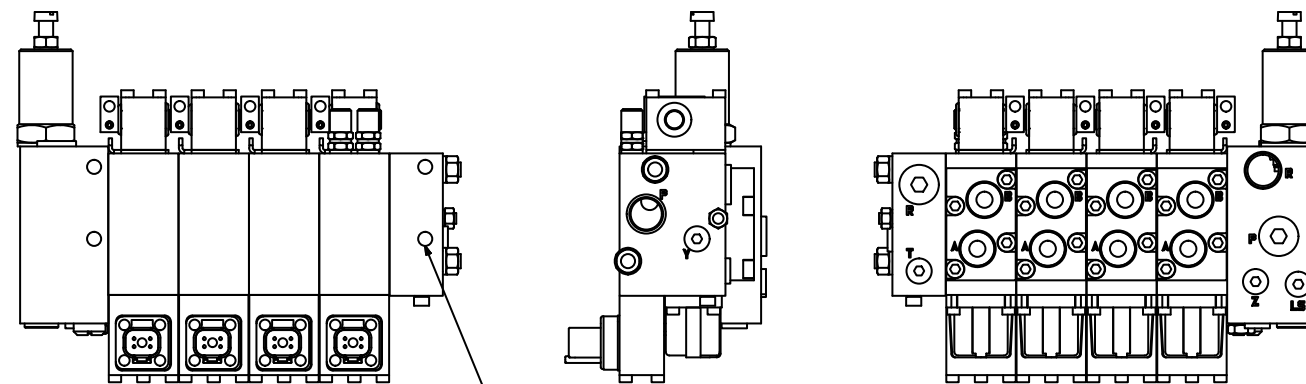
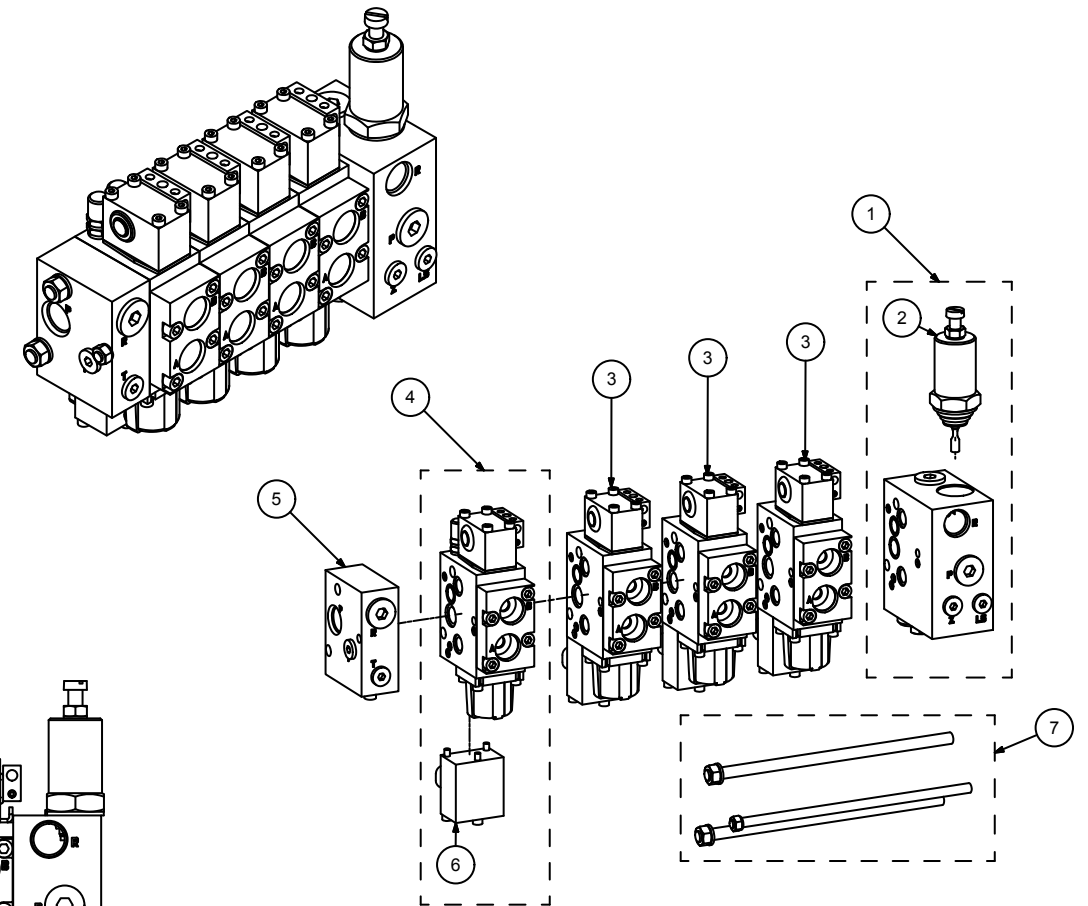
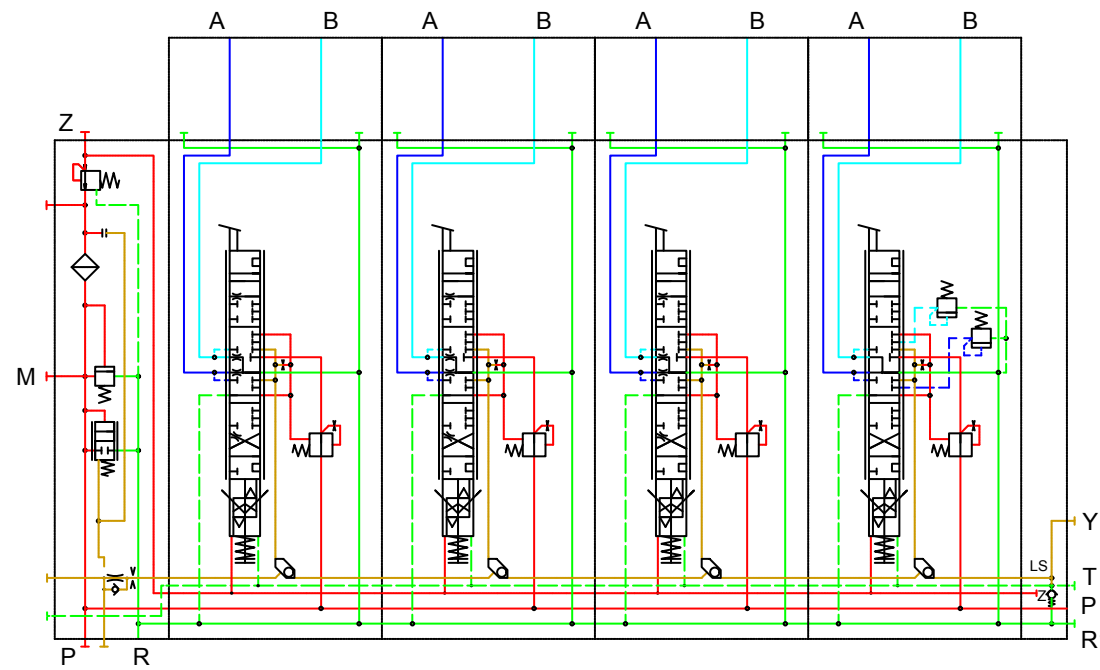
Valve Bank - Single Proportional (73734472)



73734472 PARTS LIST

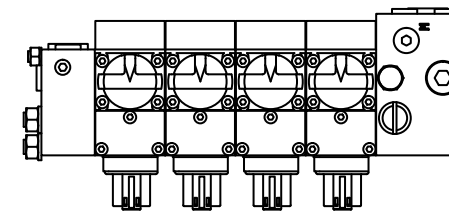
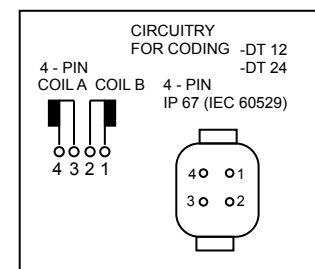
ITEM NO.	PARTS NO.	DESCRIPTION	QTY.
1.	73540617	SECT-BV18 INLET ASM S3SP W RELIEF @ 3200	1
2.	73540394	SECT-BV18 INLET BODY S3SP	1
3.	73540252	VALVE-CART-P FLOW CTRL 12 VDC W MNL OVRD	1
4.	73540253	COIL-FOR 73540252 12VDC DEUTSCH	1
5.	73540397	VALVE-BRAKE RELEASE NO 12VDC DEUTSCH	1
6.	73540256	COIL-S SERIES FOR 73540397 12VDC DEUTSCH	1
7.	73540396	RELIEF VALVE-FOR 73734472 @ 3200 PSI	1
8.	73540375	SECT-BV18 S3SP 12VDC DEUTSCH	4
9.	77041930	SOLENOID TUBE USED ON 73540375	8
10.	90744198	KIT-COIL REPAIR FOR 73540375 12V	8
11.	73540027	BRKT-MOUNTING EXTRA LONG	
12.	70145830	BRKT-MOUNTING EXTRA LONG	1
13.	73540618	TIE ROD KIT-BV18 4-SECTION	2
14.	72533507	ELBOW-M STR/90/M JIC 8 10	1
15.	72532358	ADPTR-M STR/M JIC 8 8	1
16.	72532356	ADPTR-M STR/M JIC 8 6	4
17.	72053758	ELBOW-M STR/90/M JIC 4 4	5
REV. E			1

Valve Bank - Fully Proportional (73734727)



MOUNTING HOLES
M8 x 10 DEEP
USE 3 ONLY OF 4 HOLES TO MOUNT VALVE

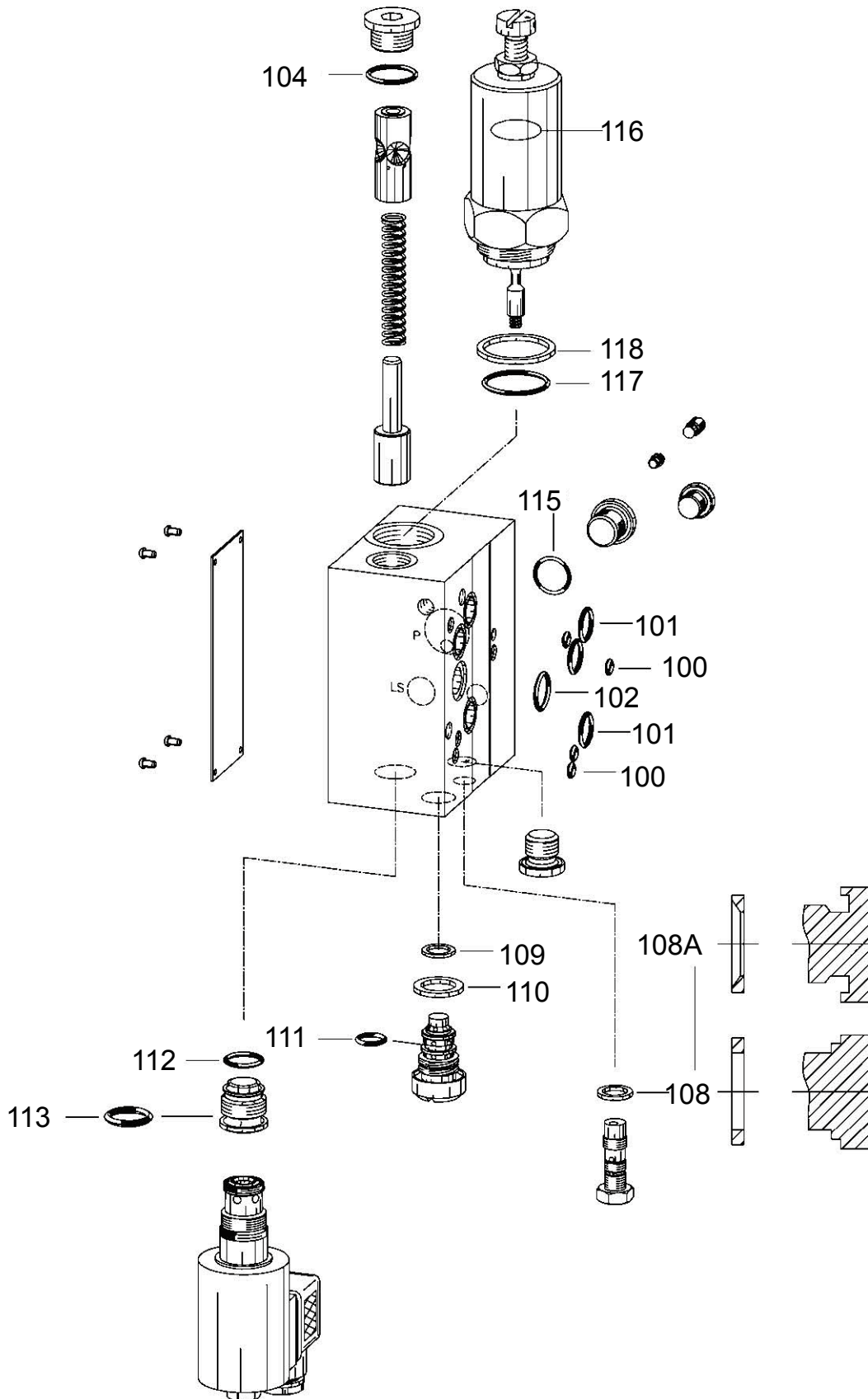
PORTS:
P,R,A,B = SAE-8
M = SAE-4



73734727 PARTS LIST

ITEM NO.	PART NO.	DESCRIPTION	QTY.
1.	73540534	SECT-PSL2 S3FP INLET OPEN CENTER COMP	1
2.	73540538	RELIEF VALVE-PSL2 FOR 73734727 @ 3200PSI	1
3.	73540535	SECT-PSL2 S3FP WINCH/EXT/MAIN 12VDC	3
4.	73540536	SECT-PSL2 S3FP ROTATION 12VDC	1
5.	73540537	SECT-PSL2 S3FP END PLATE	1
6.	77040598	COIL-PSL 12VDC DEUTSCH	4
7.	73540616	TIE ROD KIT-PSL2 4-SECTION	1
8.	94399213	SEAL KIT-73734727 CONNECTION BLOCK (NOT SHOWN)	1
9.	94399214	SEAL KIT - 73734727 SECTIONS (NOT SHOWN)	1
REV. D			

Connection Block Seal Kit for 73734727 (94399213)



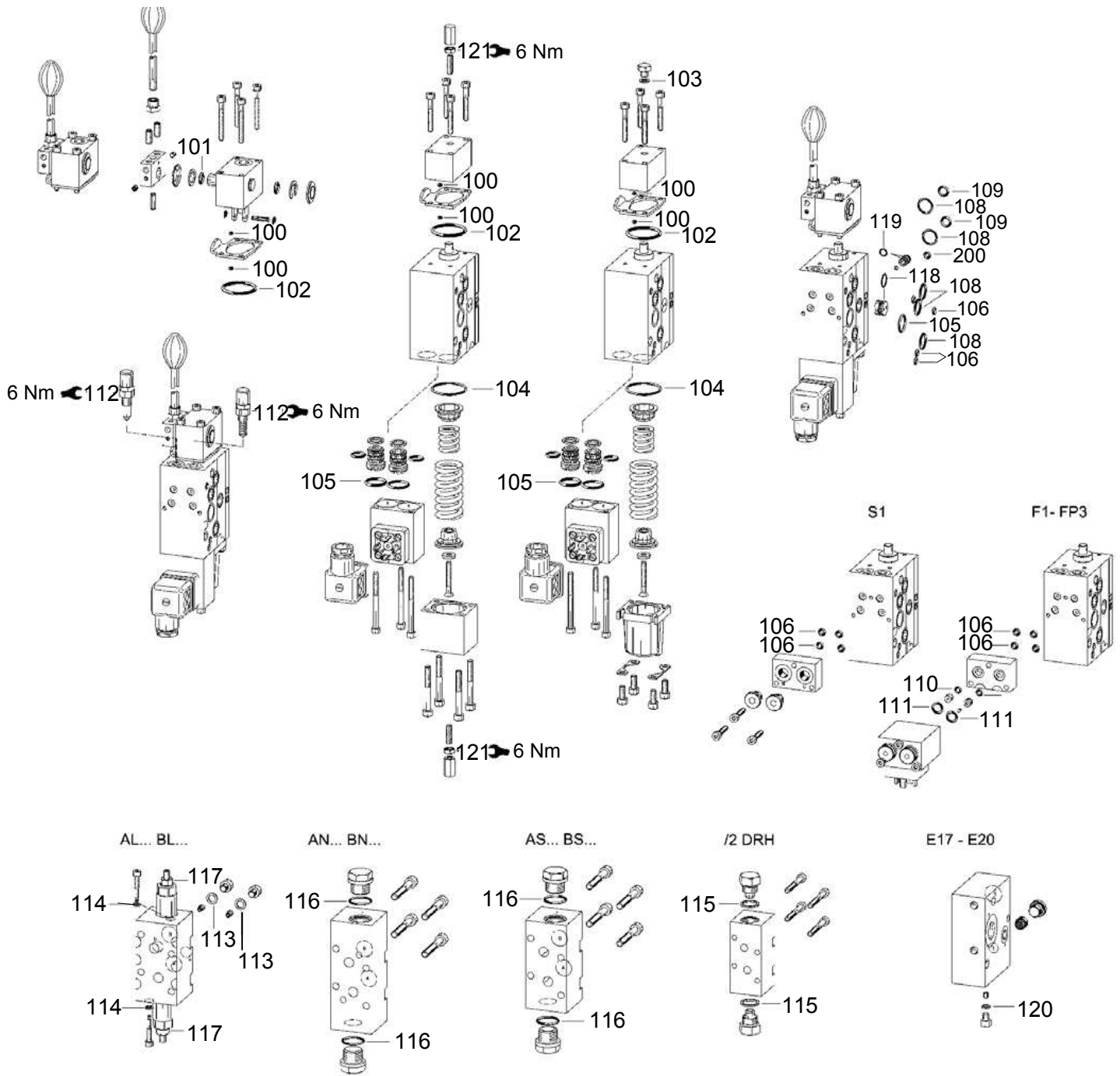
94399213 PARTS LIST

ITEM NO.	DESCRIPTION	QTY.
100.	O-RING-2.90X1.78 Z24	4
101.	O-RING-10.82X1.78 P5001	3
102.	O-RING-12.42X1.78 P5001	1
104.	O-RING-17.17 X 1.78 P 5001	1
108.	COPPER RING-SHAPE A DIN 7603 10X14X1.5-CU	1
108A.	FITTING SEAL	1
109.	SEAL RING-8.3X11X1.15 PTFE 7625 109/1	1
110.	SEAL-1/4" DRV	1
111.	O-RING-9X1.5 NBR 90 SH	1
112.	O-RING-12.42X1.78 P5001	1
113.	O-RING-14.03X2.61 P5001 94 SH A	1
115.	SEAL-G 1/4" DRV 100116-NB 650 NBR	2
116.	O-RING-15X2 HNBR 90 SH RED SPOT	1
117.	O-RING-23.52X1.78 HNBR 90 SH RED SPOT	1
118.	SEAL RING-27X32X2 ST	1

NOTE:

THESE SEALS ARE ALL PART OF 94399213, AND CANNOT BE PURCHASED INDIVIDUALLY.

Seal Kit for 73734727 (94399214)



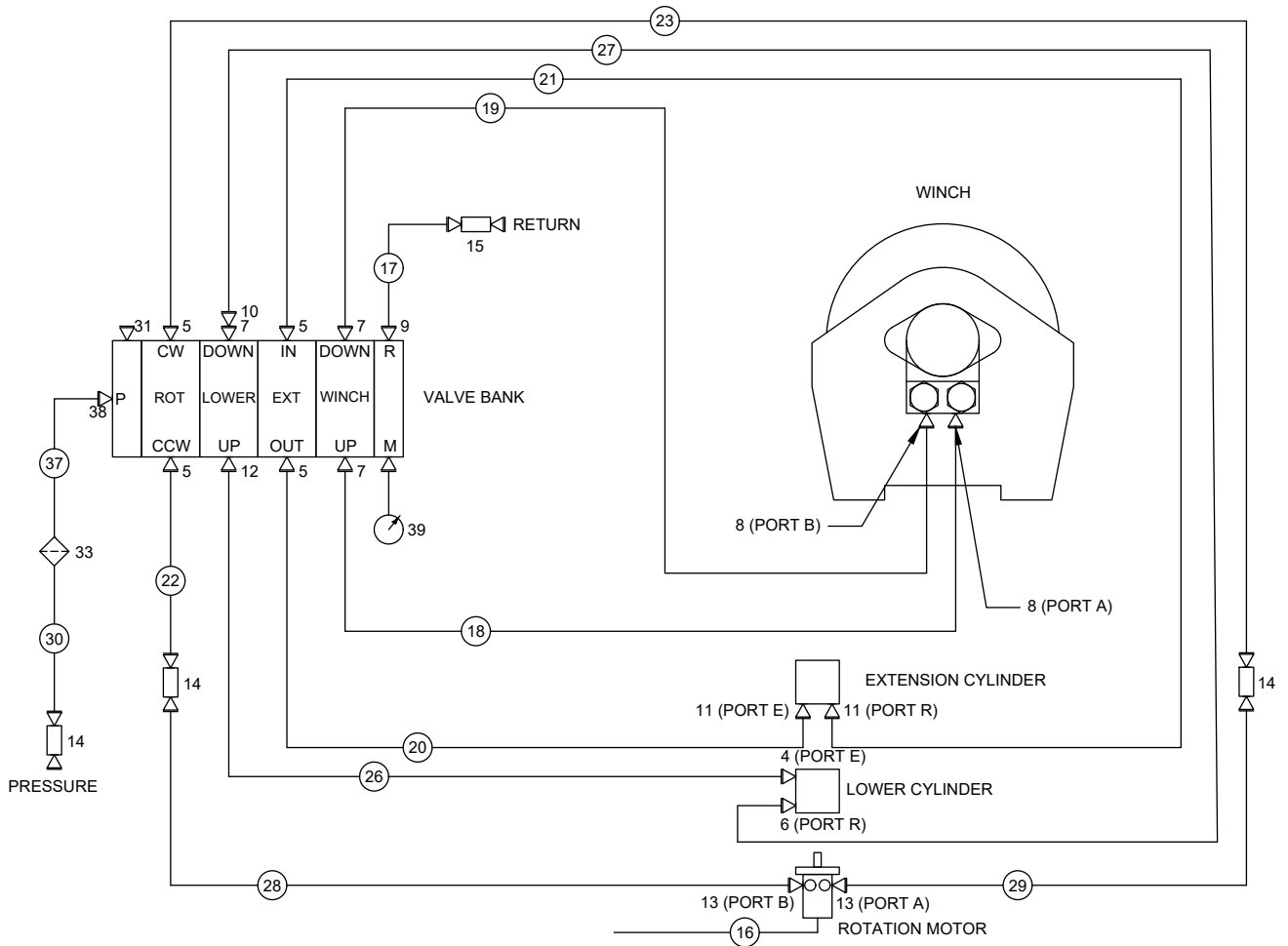
94399214 PARTS LIST

ITEM NO.	DESCRIPTION	QTY.
100.	O-RING- 1 .78 x 1.02 mm	2
101.	O-RING - 6.75 x 1.75 mm P5001	2
102.	O-RING - 25.07 x 2.62 mm Z24	1
103.	USIT-RING - ST 37 STANDARD	1
104.	O-RING - 26.7 x 1.78 mm Z24	1
105.	O-RING - 12.42 x 1.78 mm P5001	3
106.	O-RING - 2.90 x 1.78 mm Z24	6
108.	O-RING - 10.82 x 1.78mm P5001	6
109.	O-RING - 6.07 x 1.78 mm P5001	4
110.	O-RING - 3 x 1.5 mm	2
111.	O-RING - 6.75 x 1.78 mm P5001	2
112.	SEAL NUT	2
113.	USIT-RING - ST 37 STANDARD	2
114.	COPPER RING - 4 x 8 x 1 mm	2
115.	SOFT IRON SEAL RING -	2
116.	O-RING - 17.17 x 1.78 mm P5001	2
117.	SEAL- LOCK COLLAR NUT - M6 12 x 1	2
118.	O-RING - 10.00 x 1.00 mm P5001	1
119.	O-RING - 5.00 x 1.00 mm P5001	2
120.	COPPER RING - 5 x 7.5 x 1 mm	1
121.	SEAL NUT	2

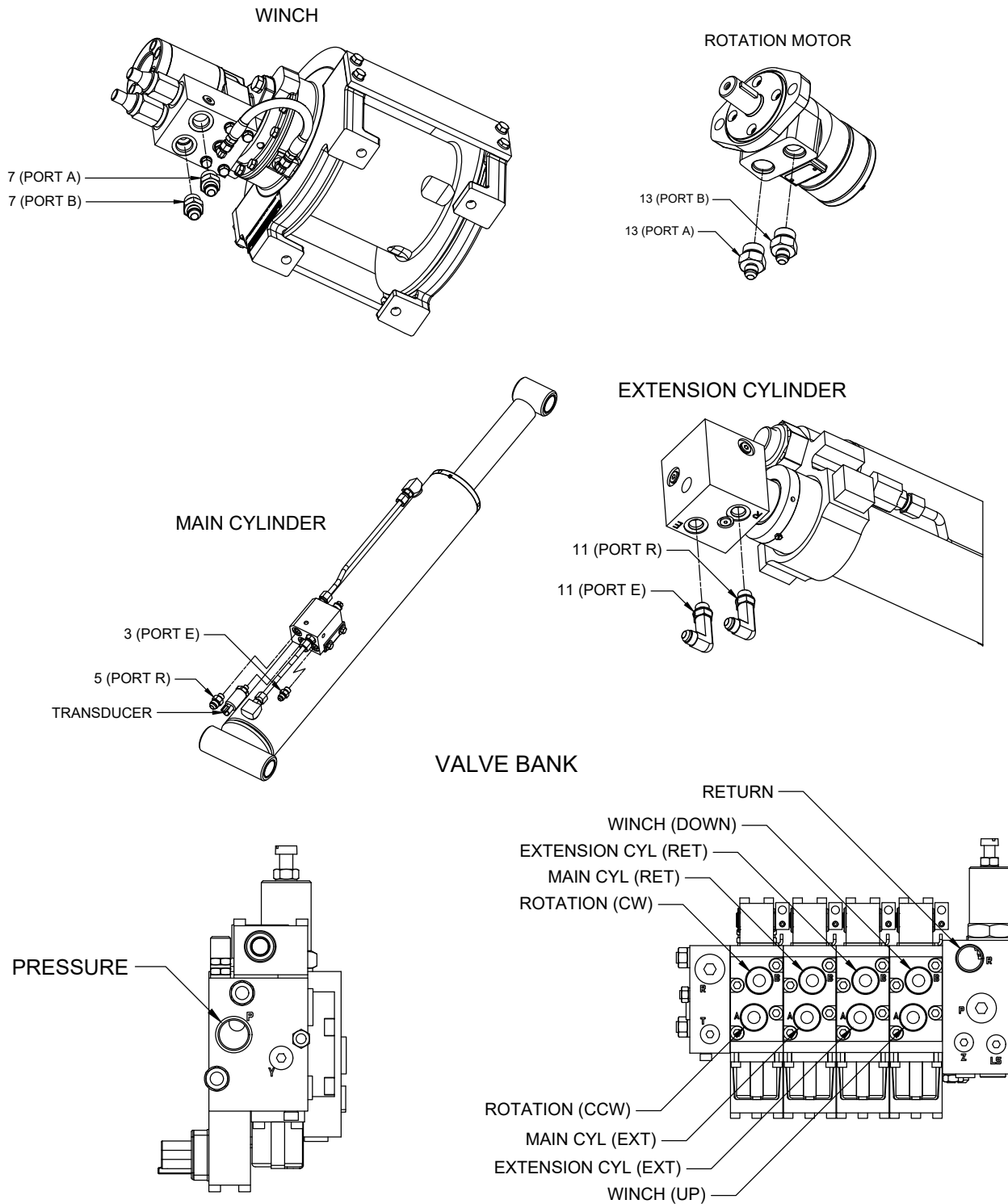
NOTE:

THESE SEALS ARE ALL PART OF 94399214, AND CANNOT BE PURCHASED INDIVIDUALLY.

HYD BG4-BG6 SIII FP (99906028)



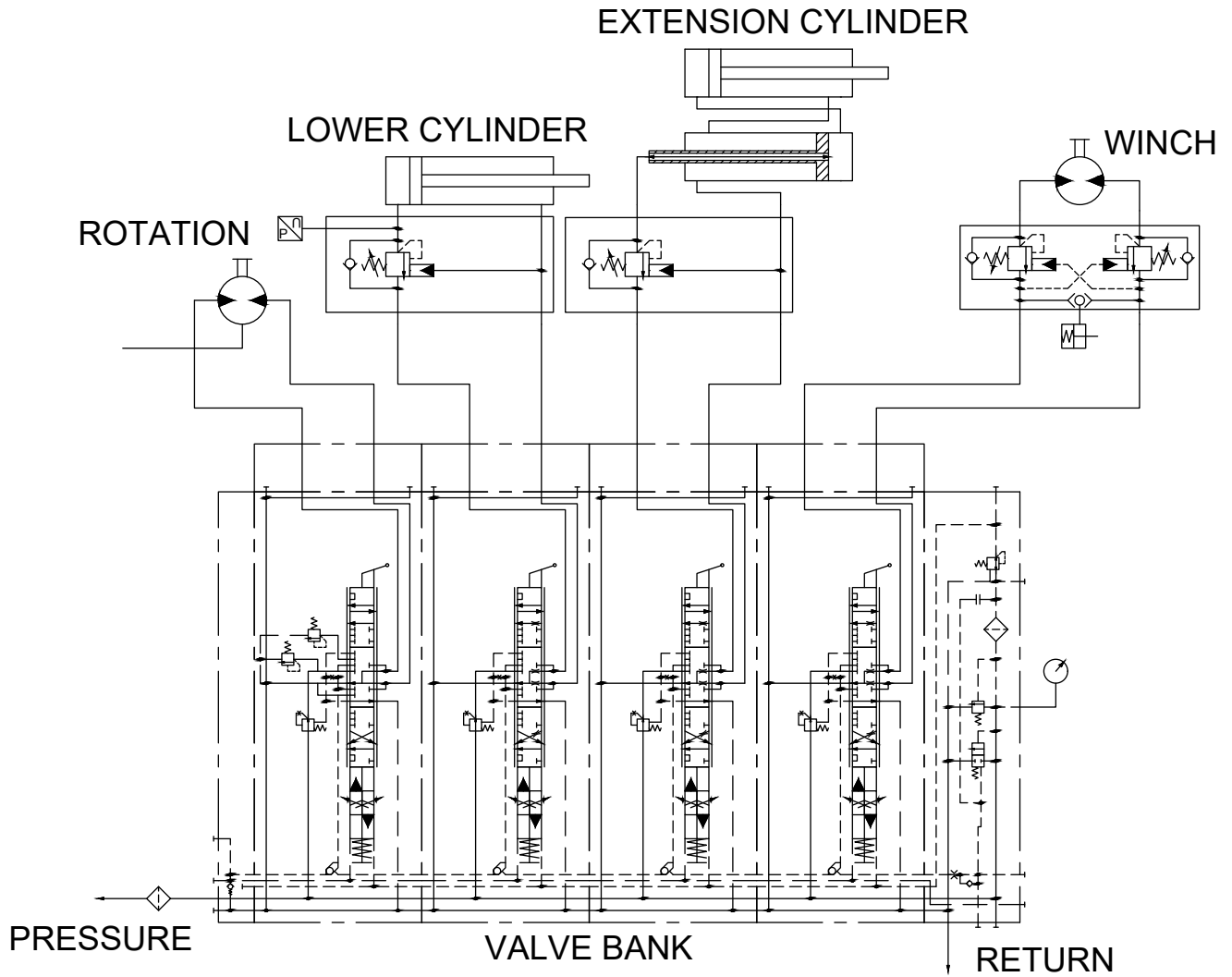
HYD BG4-BG6 SIII FP (99906028)



NOTES:

1. INSTALL 60350141 ON EXTENSION CYLINDER, MAIN CYLINDER, AND ROTATION MOTOR HOSES.
2. INSTALL 60350142 ON WINCH AND PRESSURE/RETURN VALVE BANK HOSES.
3. INSTALL 60350105 ON PRESSURE/RETURN AND ROTATION HOSES THROUGH MAST.

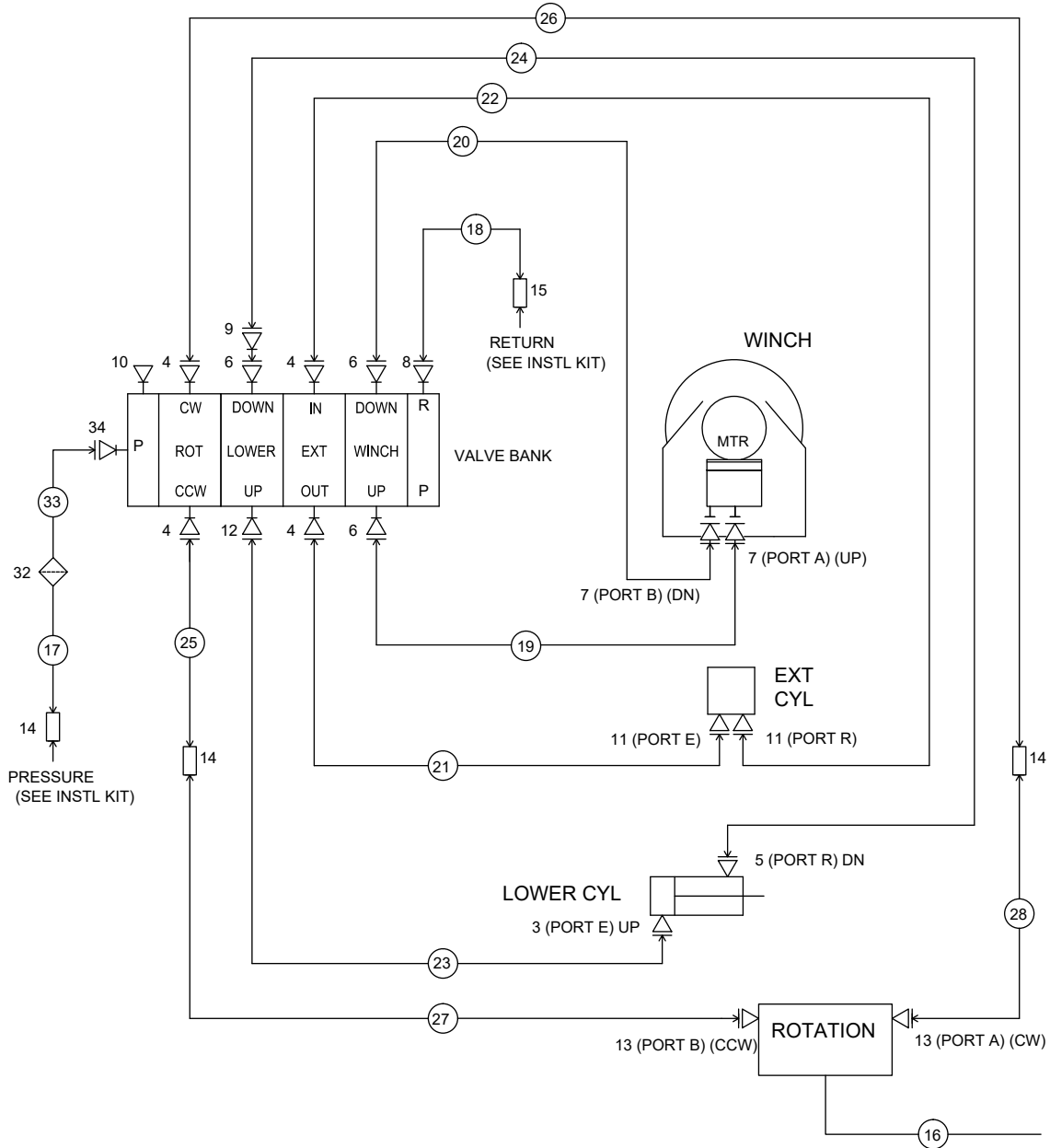
HYD BG4-BG6 SIII FP (99906028)



99906028 PARTS LIST

ITEM NO.	PART NO.	DESCRIPTION	KIT NO.	QTY.
1.	91726825	KIT-HYD A40-60 SERIES III	REF	1
2.	91725677	KIT-PRESSURE FILTER S3FP SMALL MAST	REF	1
3.	73734727	VALVE BANK-4-SECT PSL2 W OC INLT		1
4.	72532355	ADPTR-M STR/M JIC 6 6	1	1
5	72532356	ADPTR-M STR/M JIC 8 6	1	4
6	72532357	ADPTR-M STR/M JIC 6 8	1	1
7	72532358	ADPTR-M STR/M JIC 8 8	1	4
8	72532359	ADPTR-M STR/M JIC 10 8	1	2
9	72532361	ADPTR-M STR/M JIC 8 10	1	1
10	72532670	ELBOW-M JIC/45/F JIC 8 8	1	1
11	72532700	ELBOW-M STR/90/M JIC XLG 6 6	1	2
12	72533583	ELBOW-M STR/45/M JIC 8 6	1	1
13	72533613	ADPTR-M STR/M JIC 10 6	1	2
14	72533648	SWIVEL-M JIC/90/M JIC 8 8	1	3
15	72534412	SWIVEL-M JIC/90/M JIC 10 10	1	1
16	51395121	HOSE-AA .13 X 13.50 (2-2) 100R17	1	1
17	51397080	HOSE-FJ .62 X 30.00 (10-10) 100R17	1	1
18	51397081	HOSE-FZ .50 X 31.50 (8-8) 100R17	1	1
19	51397082	HOSE-FJ .50 X 31.00 (8-8) 100R17	1	1
20	51396886	HOSE-FZ .38 X 25.00 (6-6) 100R17	1	1
21	51396887	HOSE-FJ .38 X 24.50 (6-6) R10017	1	1
22	51399072	HOSE-FJ .38 X 22.50 (8-6) 100R17	1	1
23	51399073	HOSE-FZ .38 X 25.00 (8-6) 100R17	1	1
24	60350141	SLEEVE-HOSE NHS-159 X 12 CUT & SEALED	1	3
25	60350142	SLEEVE-HOSE NHS-254 X 15 CUT & SEALED	1	2
26	51399077	HOSE-FJ .38 X 29.00 (6-6) 100R17	1	1
27	51399463	HOSE-FZ .50 X 30.00 (8-8) 100R17	1	1
28	51399228	HOSE-FJ .38 X 18.00 (8-6) 100R17	1	1
29	51399229	HOSE-FJ .38 X 22.00 (8-6) 100R17	1	1
30	51399890	HOSE-FJJ .50 X 40.00 (8-8) 100R17	1	1
31	72532686	PLUG-STR SOC HD STL 8 (.75 THD)	1	1
32	72533003	ADPTR-M STR/M JIC 8 8 XLG	1	1
33	73052156	FILTER-PRES 4000PSI 25GPM 10MIC -12	2	1
34	72532360	ADPTR-M STR/M JIC 12 8	2	1
35	72053767	ELBOW-M STR/90/M JIC 12 12	2	1
36	72533623	ELBOW-M STR/90/M JIC 8 12	2	1
37	71415690	TUBE ASM-PRESSURE FILTER S3FP SMALL MAST	2	1
38	72534898	O-RING EXTENDER 08-08 1.75	2	1
39	60350105	SLEEVE-HOSE VELCRO CLOSURE 4in DIA		1
40	73050225	GAUGE-5000 PSI 2.5IN CB MOUNT -4 MORB		1
REV. B CN1155				

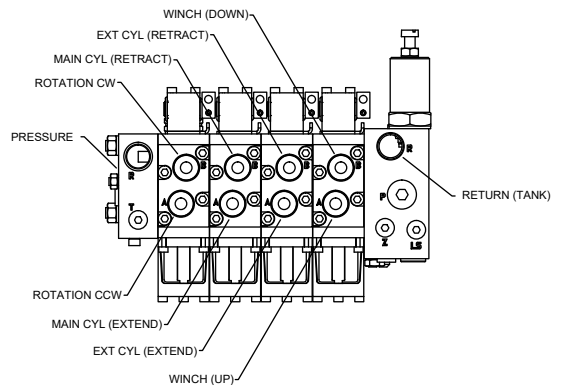
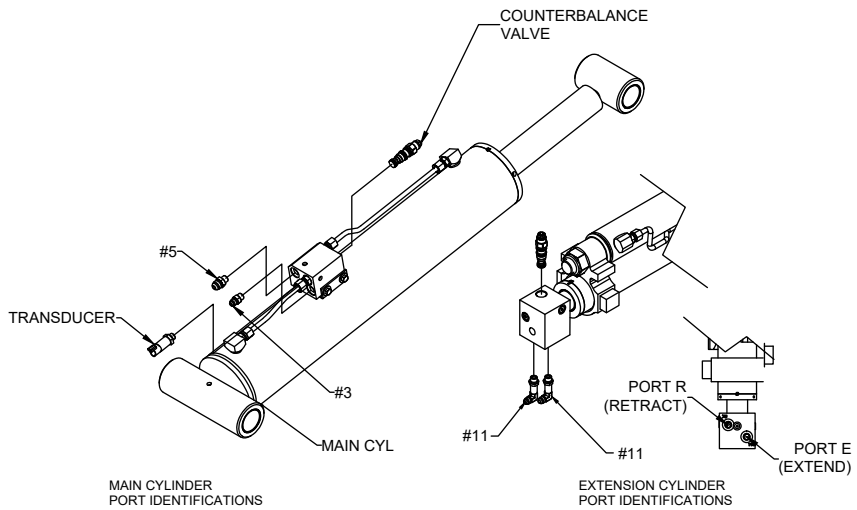
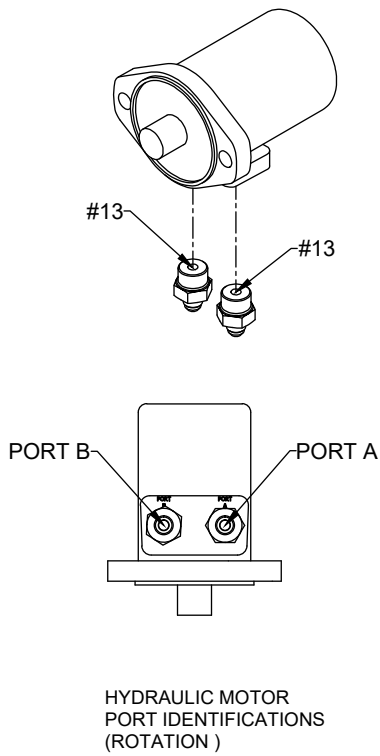
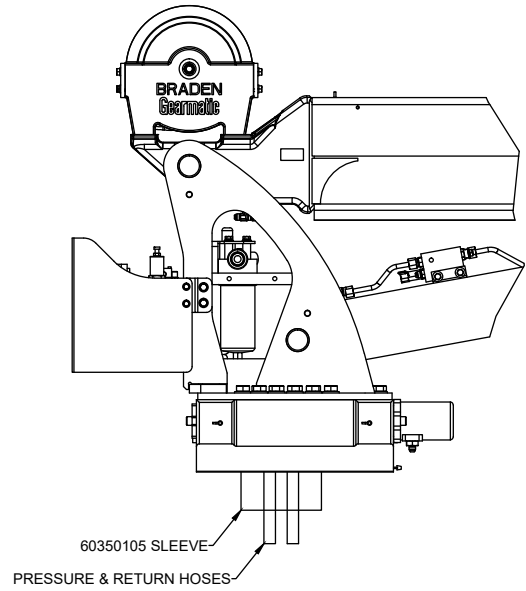
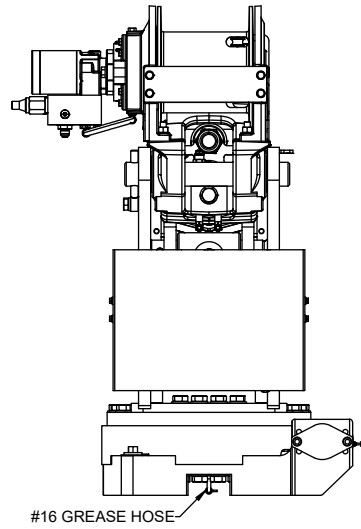
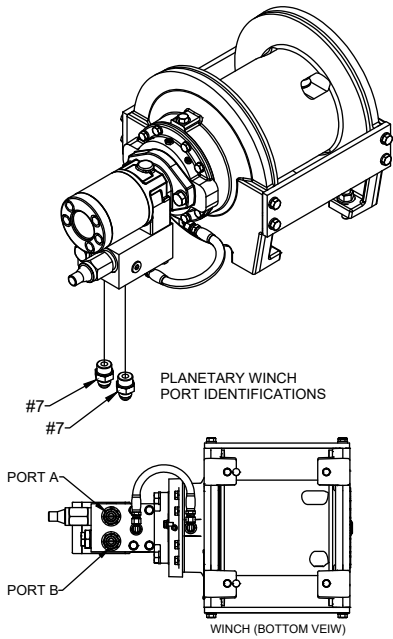
HYD BG4-BG6 SIII FP (99906028)



NOTES:

- SEE SHEET 2 FOR WINCH HYDRAULIC MOTOR, LOWER, AND EXTENSION CYLINDER.
- INSTALL 60350141 ON EXTENSION CYLINDER, MAIN CYLINDER HOSES AND ROTATION HOSES.
- INSTALL 60350142 ON WINCH HOSES & PRESSURE AND RETURN VALVE BANK HOSES.
- INSTALL 60350105 ON PRESSURE & RETURN HOSES, ROTATION HOSES THRU THE MAST.

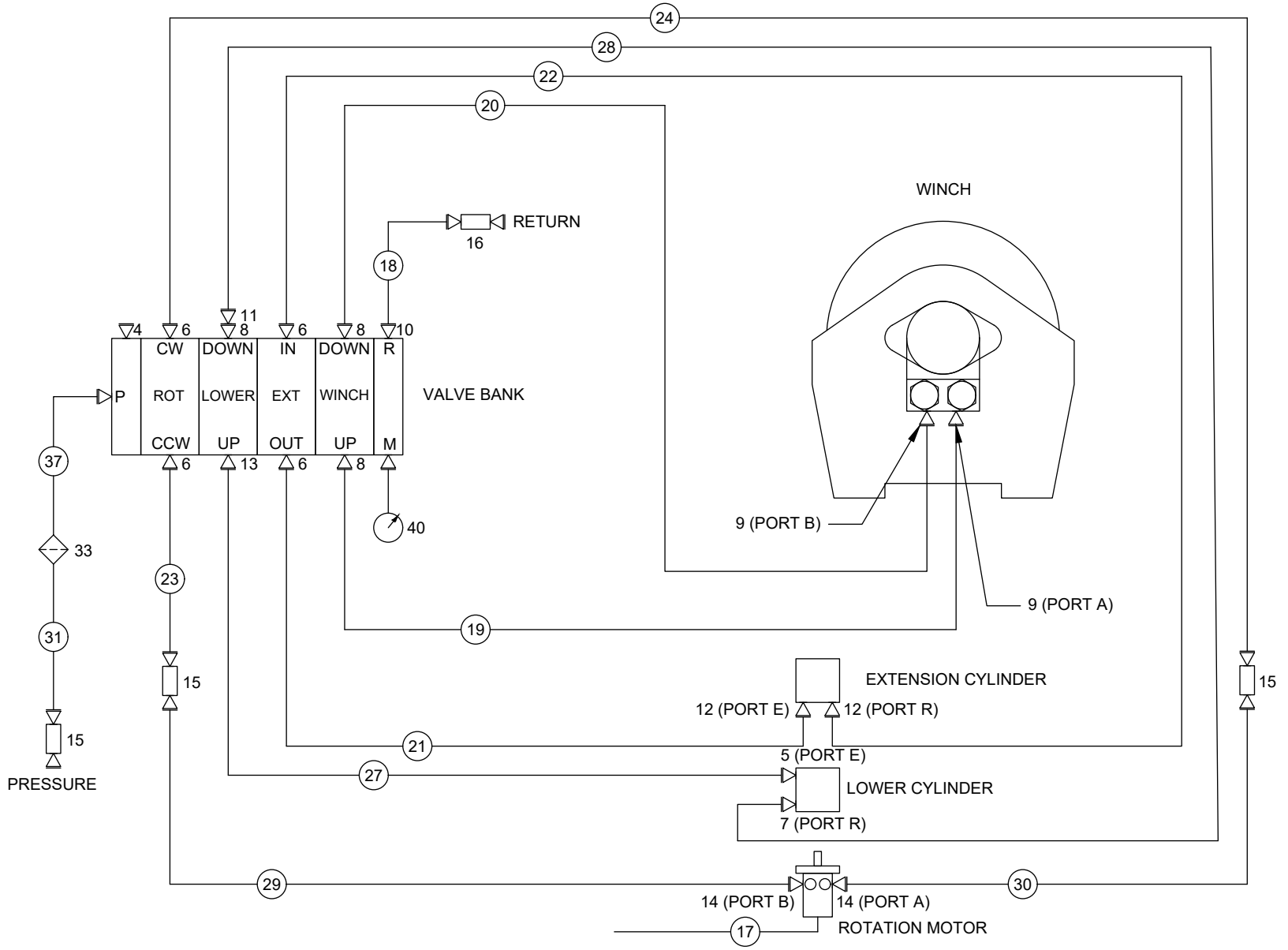
HYD BG4-BG6 SIII FP (99906028)



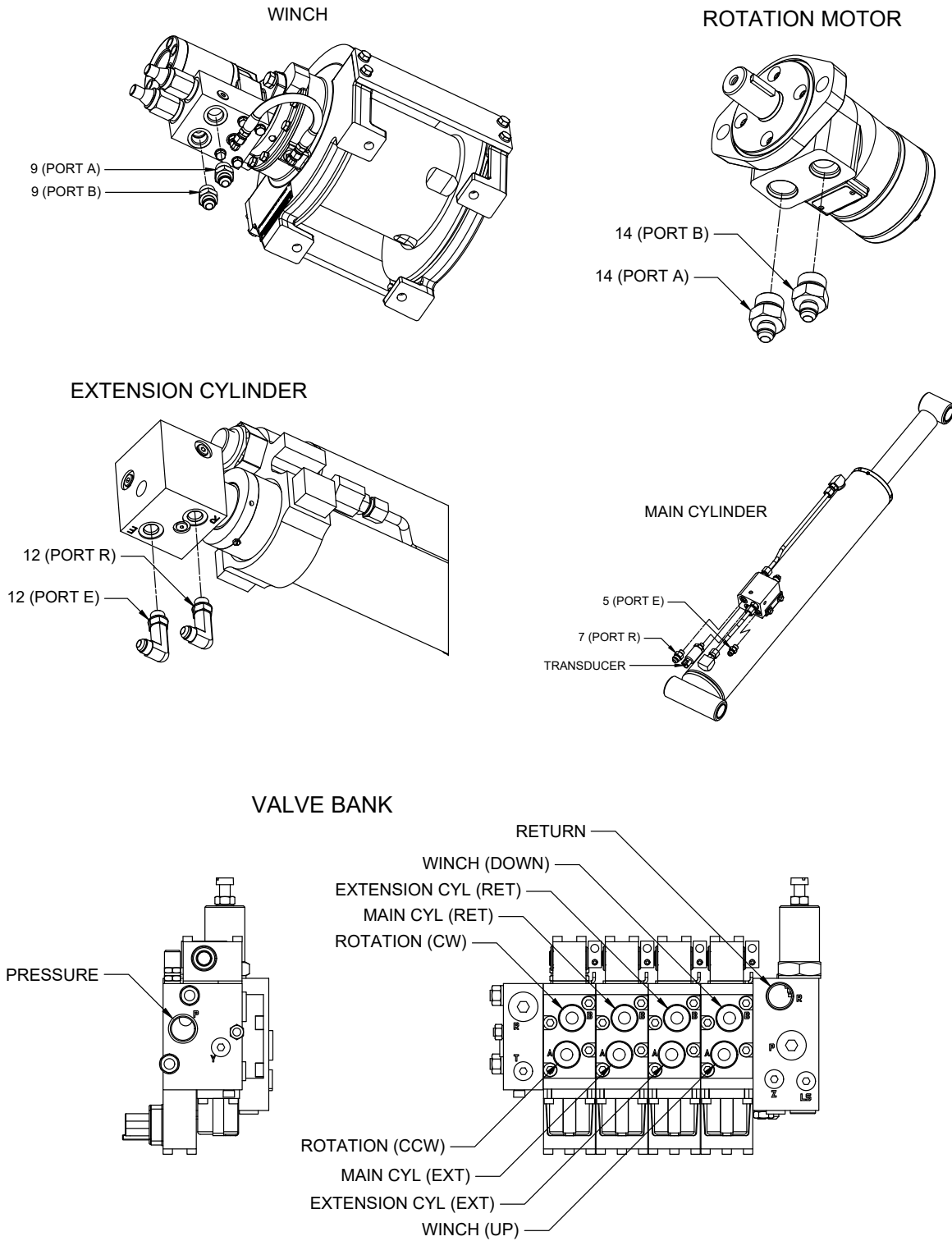
99906028 PARTS LIST

ITEM NO.	PART NO.	DESCRIPTION	KIT NO.	QTY.
1	91726825	O-RING EXTENDER 08-08		1
2	73734727	TUBE ASM-PRESSURE FILTER S3FP SMALL MAST		4
3	72532355	FILTER-PRES 4000PSI 25GPM 10MIC -12	1	1
4	72532356	SLEEVE-HOSE NHS-254 X 15 CUT & SEALED	1	4
5	72532357	SLEEVE-HOSE NHS-254 X 15 CUT & SEALED	1	2
6	72532358	SLEEVE-HOSE NHS-159 X 12 CUT & SEALED	1	1
7	72532359	HOSE-FJ .38 X 22.00 (8-6) 100R17	1	1
8	72532361	HOSE-FJ .38 X 18.00 (8-6) 100R17	1	1
9	72532670	HOSE-FZ .38 X 25.00 (8-6) 100R17	1	2
10	72532686	HOSE-FJ .38 X 22.50 (8-6) 100R17	1	1
11	72532700	HOSE-FZ .50 X 30.00 (8-8) 100R17	1	2
12	72533583	HOSE-FJ .38 X 29.00 (6-6) 100R17	1	3
13	72533613	HOSE-FJ .38 X 24.50 (6-6) R10017	1	1
14	72533648	HOSE-FZ .38 X 25.00 (6-6) 100R17	1	1
15	72534412	HOSE-FJ .50 X 31.00 (8-8) 100R17	1	1
16	51395121	HOSE-FZ .50 X 31.50 (8-8) 100R17	1	1
17	51399890	HOSE-FJ .62 X 30.00 (10-10) 100R17	1	1
18	51397080	HOSE-FJJ .50 X 40.00 (8-8) 100R17	1	1
19	51397081	HOSE-AA .13 X 13.50 (2-2) 100R17	1	1
20	51397082	SWIVEL-M JIC/90/M JIC 10 10	1	1
21	51396886	SWIVEL-M JIC/90/M JIC 8 8	1	1
22	51396887	ADPTR-M STR/M JIC 10 6	1	1
23	51399077	ELBOW-M STR/45/M JIC 8 6	1	1
24	51399078	ELBOW-M STR/90/M JIC XLG 6 6	1	1
25	51399072	PLUG-STR SOC HD STL 8 (.75 THD)	1	1
26	51399073	ELBOW-M JIC/45/F JIC 8 8	1	1
27	51399228	ADPTR-M STR/M JIC 8 10	1	1
28	51399229	ADPTR-M STR/M JIC 10 8	1	1
29	60350141	ADPTR-M STR/M JIC 8 8	1	3
30	60350142	ADPTR-M STR/M JIC 6 8	1	2
31	60350105	ADPTR-M STR/M JIC 8 6		1
32	73052156	ADPTR-M STR/M JIC 6 6		1
33	71415691	VALVE BANK-4SEC 4R 10GPM TELE PROP 12V G		1
34	72534898	KIT-HYD BG4-BG60 SERIES III FP		1
REV. A ECN12427-2				

Hydraulic Schematic Fully Proportional (99905018)



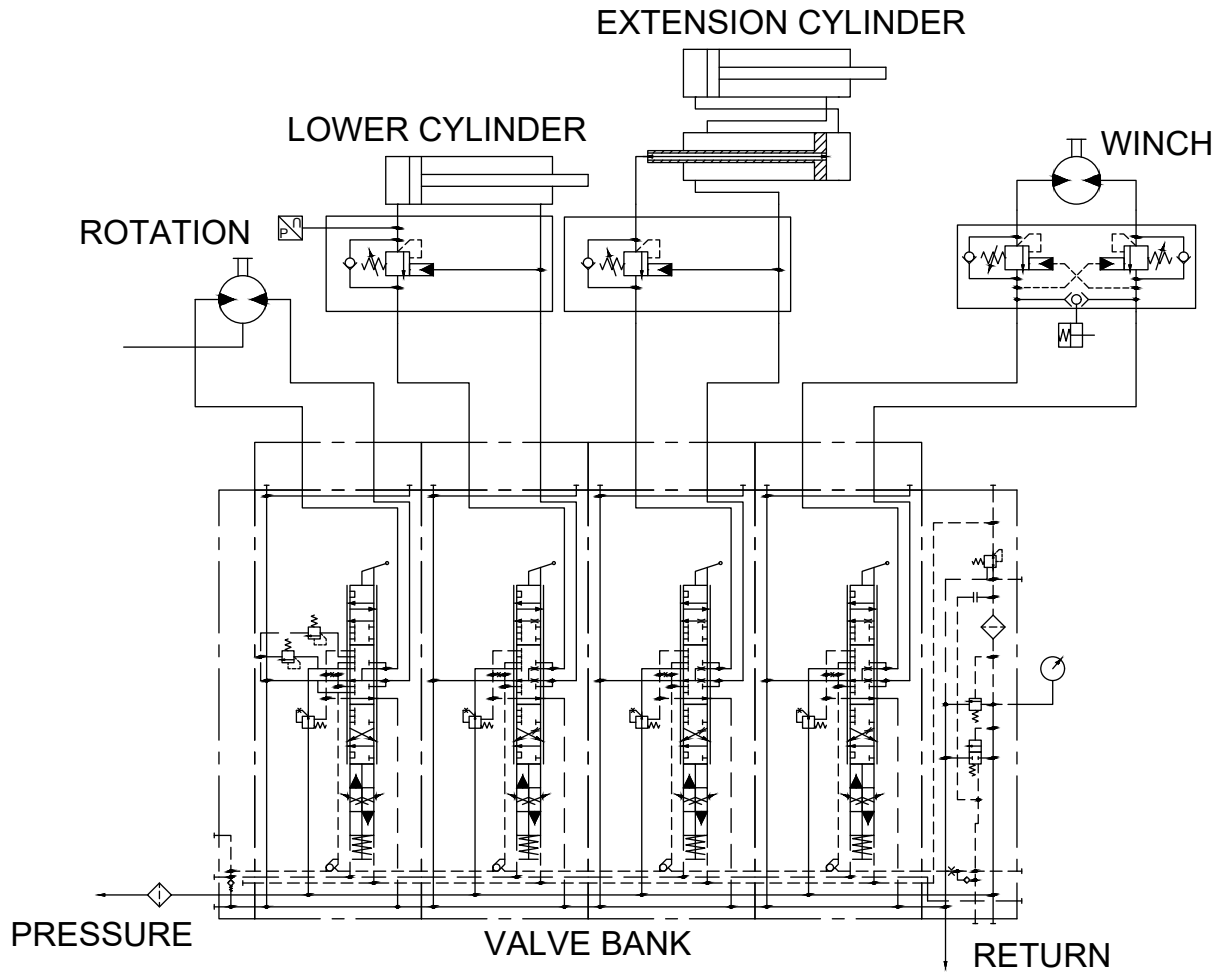
HYDRAULIC SCHEMATIC FULLY PROPORTIONAL (99905018), CONTINUED



NOTES:

1. INSTALL 60350141 ON EXTENSION CYLINDER, MAIN CYLINDER, AND ROTATION MOTOR HOSES.
2. INSTALL 60350142 ON WINCH AND PRESSURE/RETURN VALVE BANK HOSES.
3. INSTALL 60350105 ON PRESSURE/RETURN AND ROTATION HOSES THROUGH MAST.

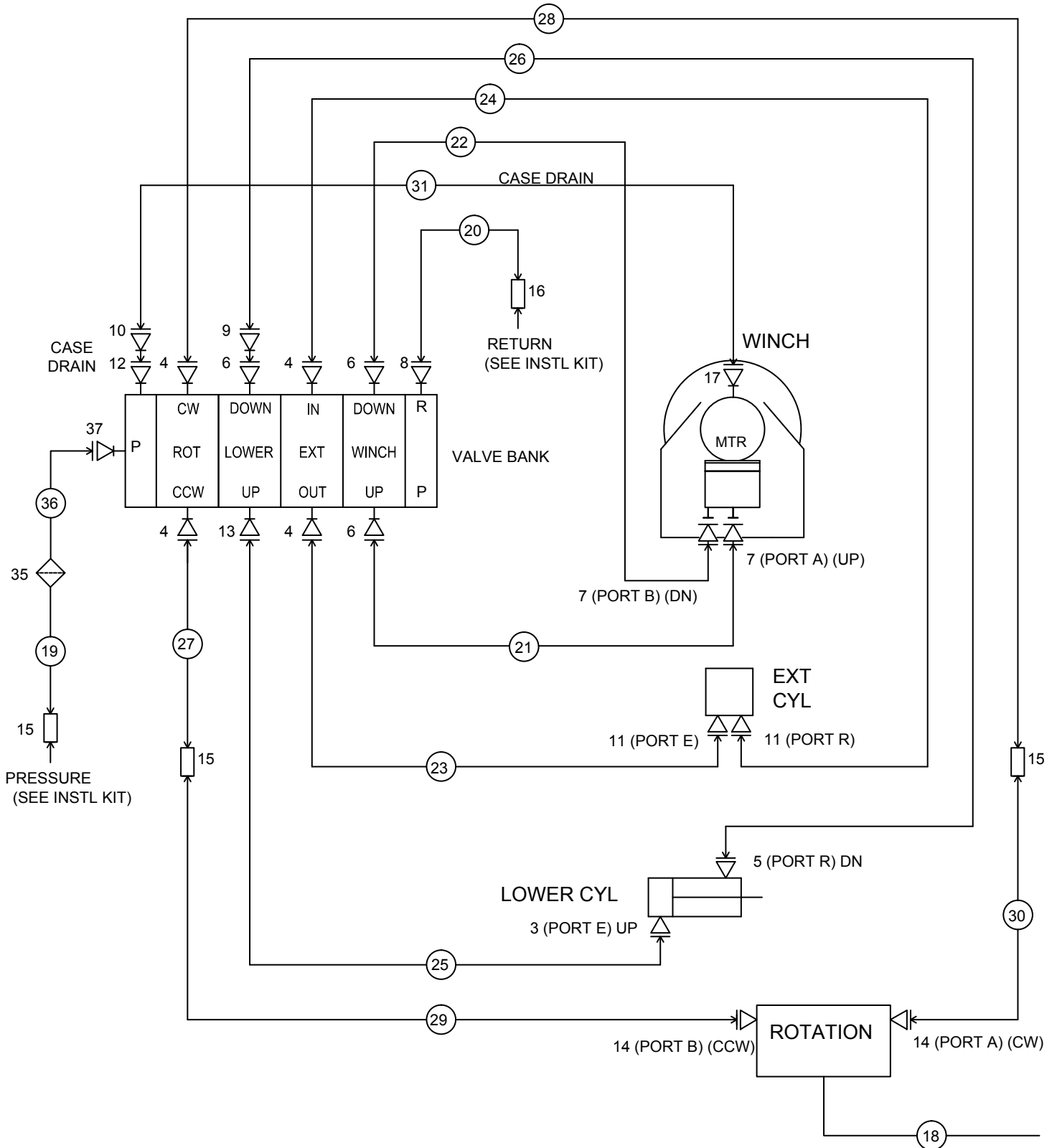
HYDRAULIC SCHEMATIC FULLY PROPORTIONAL (99905018), CONTINUED



99905018 PARTS LIST

ITEM NO.	PART NO.	DESCRIPTION	KIT NO.	QTY.
1.	91726825	KIT-HYD BG4-BG6 SERIES III FP	REF	1
2.	91725678	KIT-PRESSURE FILTER S3FP LARGE MAST	REF	1
3.	73734727	VALVE BANK-4-SECT PSL2 W OC INLT		1
4.	72532686	PLUG-STR SOC HD STL 8 (.75 THD)	1	1
5.	72532355	ADPTR-M STR/M JIC 6 6	1	1
6.	72532356	ADPTR-M STR/M JIC 8 6	1	4
7.	72532357	ADPTR-M STR/M JIC 6 8	1	1
8.	72532358	ADPTR-M STR/M JIC 8 8	1	4
9.	72532359	ADPTR-M STR/M JIC 10 8	1	2
10.	72532361	ADPTR-M STR/M JIC 8 10	1	1
11.	72532670	ELBOW-M JIC/45/F JIC 8 8	1	1
12.	72532700	ELBOW-M STR/90/M JIC XLG 6 6	1	2
13.	72533583	ELBOW-M STR/45/M JIC 8 6	1	1
14.	72533613	ADPTR-M STR/M JIC 10 6	1	2
15.	72533648	SWIVEL-M JIC/90/M JIC 8 8	1	3
16.	72534412	SWIVEL-M JIC/90/M JIC 10 10	1	1
17.	51395121	HOSE-AA .13 X 13.50 (2-2) 100R17	1	1
18.	51397080	HOSE-FJ .62 X 30.00 (10-10) 100R17	1	1
19.	51397081	HOSE-FZ .50 X 31.50 (8-8) 100R17	1	1
20.	51397082	HOSE-FJ .50 X 31.00 (8-8) 100R17	1	1
21.	51396886	HOSE-FZ .38 X 25.00 (6-6) 100R17	1	1
22.	51396887	HOSE-FJ .38 X 24.50 (6-6) R10017	1	1
23.	51399072	HOSE-FJ .38 X 22.50 (8-6) 100R17	1	1
24.	51399073	HOSE-FZ .38 X 25.00 (8-6) 100R17	1	1
25.	60350141	SLEEVE-HOSE NHS-159 X 12 CUT & SEALED	1	3
26.	60350142	SLEEVE-HOSE NHS-254 X 15 CUT & SEALED	1	2
27.	51399077	HOSE-FJ .38 X 29.00 (6-6) 100R17	1	1
28.	51399463	HOSE-FZ .50 X 30.00 (8-8) 100R17	1	1
29.	51399228	HOSE-FJ .38 X 18.00 (8-6) 100R17	1	1
30.	51399229	HOSE-FJ .38 X 22.00 (8-6) 100R17	1	1
31.	51399890	HOSE-FJJ .50 X 40.00 (8-8) 100R17	1	1
32.	72533003	ADPTR-M STR/M JIC 8 8 XLG	1	1
33.	73052156	FILTER-PRES 4000PSI 25GPM 10MIC -12	2	1
34.	72532360	ADPTR-M STR/M JIC 12 8	2	1
35.	72053767	ELBOW-M STR/90/M JIC 12 12	2	1
36.	72533623	ELBOW-M STR/90/M JIC 8 12	2	1
37.	71415691	TUBE ASM-PRESSURE FILTER S3FP LARGE MAST	2	1
38.	72534898	O-RING EXTENDER 08-08 1.75	2	1
39.	60350105	SLEEVE-HOSE VELCRO CLOSURE 4IN DIA		1
40.	73050225	GAUGE-5000 PSI 2.5IN CB MOUNT -4 MORB		1
REV L CN1155				

Hydraulic Schematic Fully Proportional (99905018)



99905018 PARTS LIST

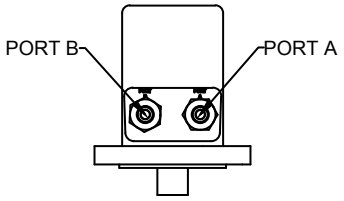
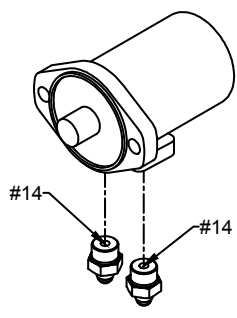
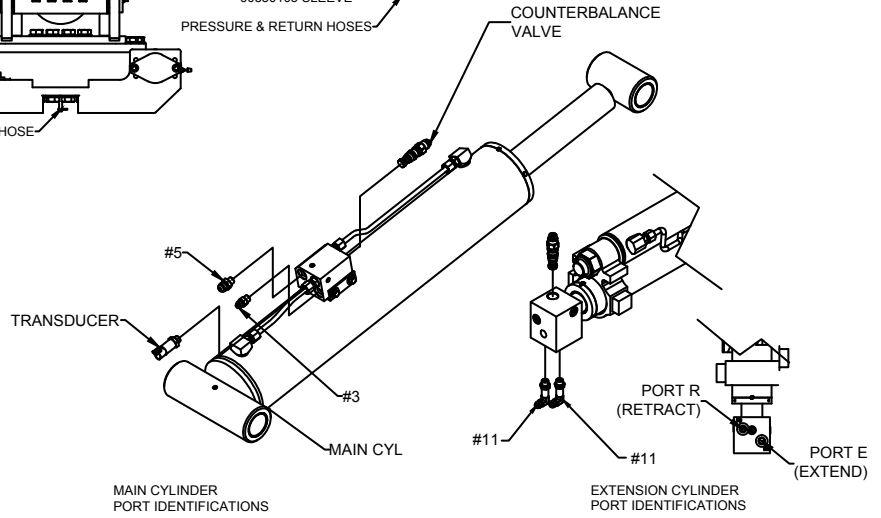
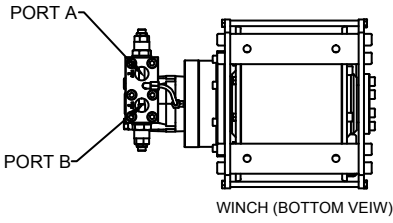
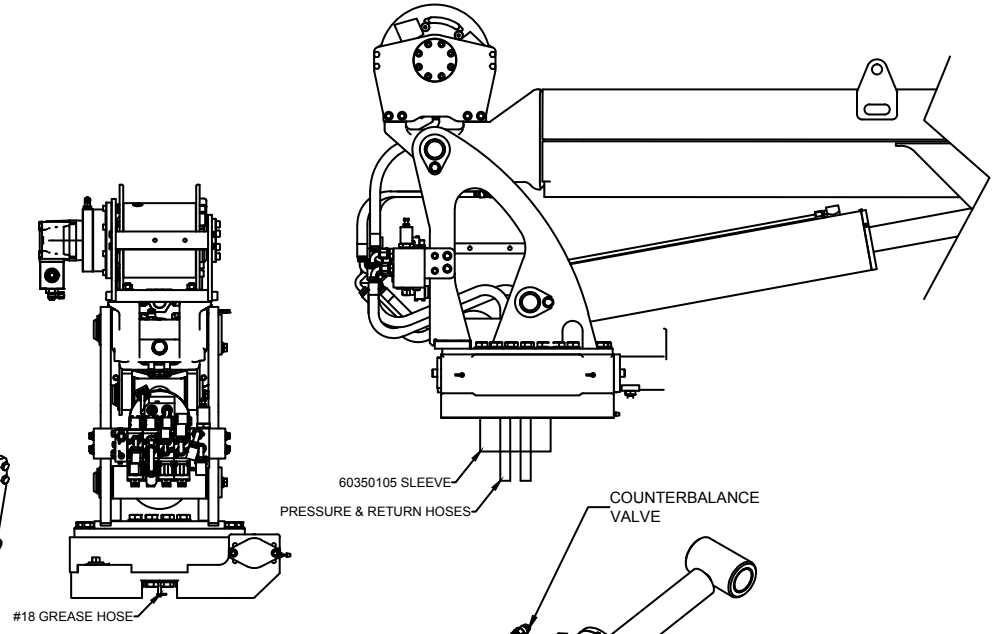
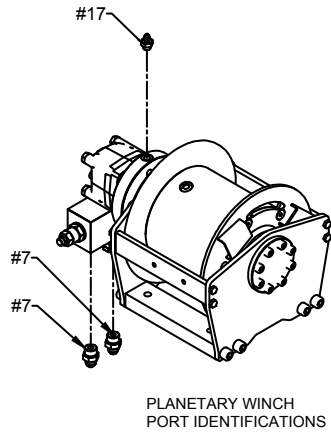
ITEM NO.	PART NO.	DESCRIPTION	KIT NO.	QTY.
1.	91723601	KIT-HYD A40-60 SERIES IIIZ		1
2.	73734727	VALVE BANK-4SEC 4R 10GPM TELE PROP 12V G		1REF
3.	72532355	ADPTR-M STR/M JIC 6 6	1	1
4.	72532356	ADPTR-M STR/M JIC 8 6	1	4
5.	72532357	ADPTR-M STR/M JIC 6 8	1	1
6.	72532358	ADPTR-M STR/M JIC 8 8	1	3
7.	72532359	ADPTR-M STR/M JIC 10 8	1	2
8.	72532361	ADPTR-M STR/M JIC 8 10	1	1
9.	72532670	ELBOW-M JIC/45/F JIC 8 8	1	1
10.	72532690	ELBOW-M JIC/90/F JIC SW 4 4	1	1
11.	72532700	ELBOW-M STR/90/M JIC XLG 6 6	1	2
12.	72532792	ADPTR-M STR/M JIC 8 4	1	1
13.	72533583	ELBOW-M STR/45/M JIC 8 6	1	1
14.	72533613	ADPTR-M STR/M JIC 10 6	1	2
15.	72533648	SWIVEL-M JIC/90/M JIC 8 8	1	3
16.	72534412	SWIVEL-M JIC/90/M JIC 10 10	1	1
17.	72533490	ADPTR-M BSPP/M JIC 4 4	1	1
18.	51395121	HOSE-AA .13 X 13.50 (2-2) 100R17	1	1
19.	51399890	HOSE-FJJ .50 X 40.00 (8-8) 100R17	1	1
20.	51397080	HOSE-FJ .62 X 30.00 (10-10) 100R17	1	1
21.	51397081	HOSE-FZ .50 X 31.50 (8-8) 100R17	1	1
22.	51397082	HOSE-FJ .50 X 31.00 (8-8) 100R17	1	1
23.	51396886	HOSE-FZ .38 X 25.00 (6-6) 100R17	1	1
24.	51396887	HOSE-FJ .38 X 24.50 (6-6) R10017	1	1
25.	51399077	HOSE-FJ .38 X 29.00 (6-6) 100R17	1	1
26.	51399078	HOSE-FZ .50 X 30.00 (8-8) 100R17	1	1
27.	51399072	HOSE-FJ .38 X 22.50 (8-6) 100R17	1	1
28.	51399073	HOSE-FZ .38 X 25.00 (8-6) 100R17	1	1
29.	51399228	HOSE-FJ .38 X 18.00 (8-6) 100R17	1	1
30.	51399229	HOSE-FJ .38 X 22.00 (8-6) 100R17	1	1
31.	51399074	HOSE-FJ .25 X 32.00 (4-4) 100R2	1	1
32.	60350141	SLEEVE-HOSE NHS-159 X 12 CUT & SEALED	1	3
33.	60350142	SLEEVE-HOSE NHS-254 X 15 CUT & SEALED	1	2
34.	60350105	SLEEVE-HOSE NHS-254 X 15 CUT & SEALED		1
35.	73052156	FILTER-PRES 4000PSI 25GPM 10MIC -12		1
36.	71415691	TUBE ASM-PRESSURE FILTER S3FP SMALL MAST		1
37.	72534898	O-RING EXTENDER 08-08		1
REV. K CN284				

NOTES:

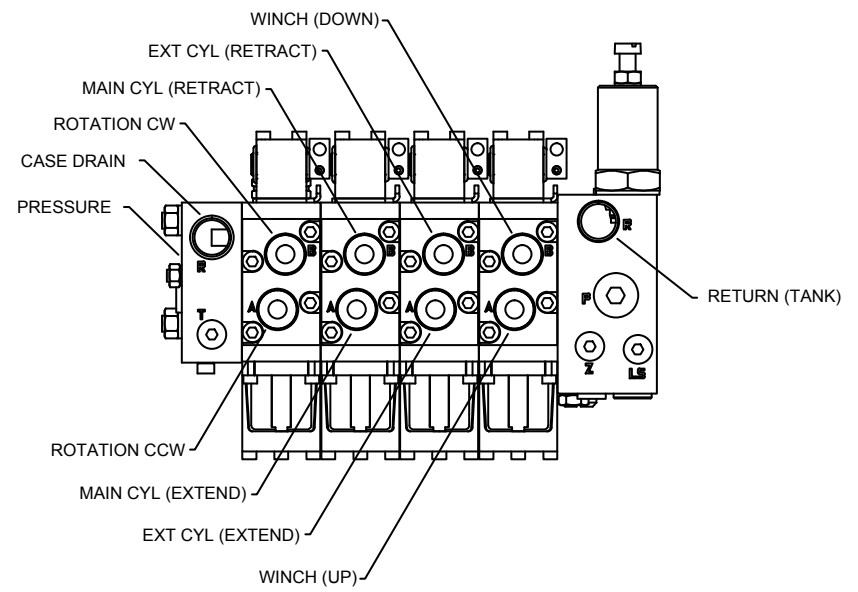
SEE NEXT PAGE FOR WINCH HYDRAULIC MOTOR, LOWER AND EXTENSION CYLINDER.

1. INSTALL 30650141 ON EXTENSION CYLINDER, MAIN CYLINDER HOSES AND ROTATION HOSES.
2. INSTALL 60350142 ON WINCH HOSES, PRESSURE, AND RETURN VALVE BANK HOSES.
3. INSTALL 60350105 ON PRESSURE , RETURN HOSES, AND ROTATION HOSES THROUGH THE MAST.

99905018-1

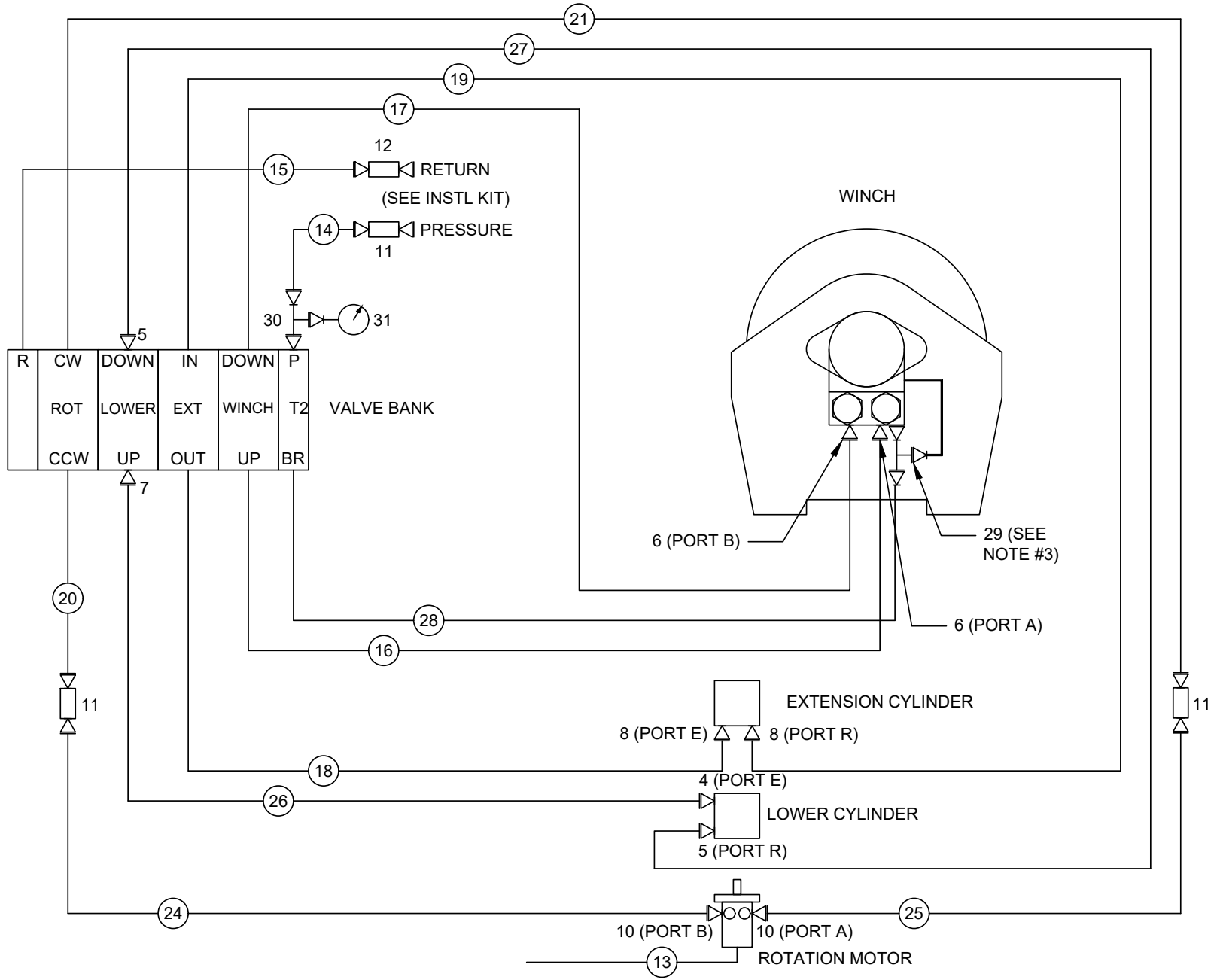


HYDRAULIC MOTOR
PORT IDENTIFICATIONS
(ROTATION)

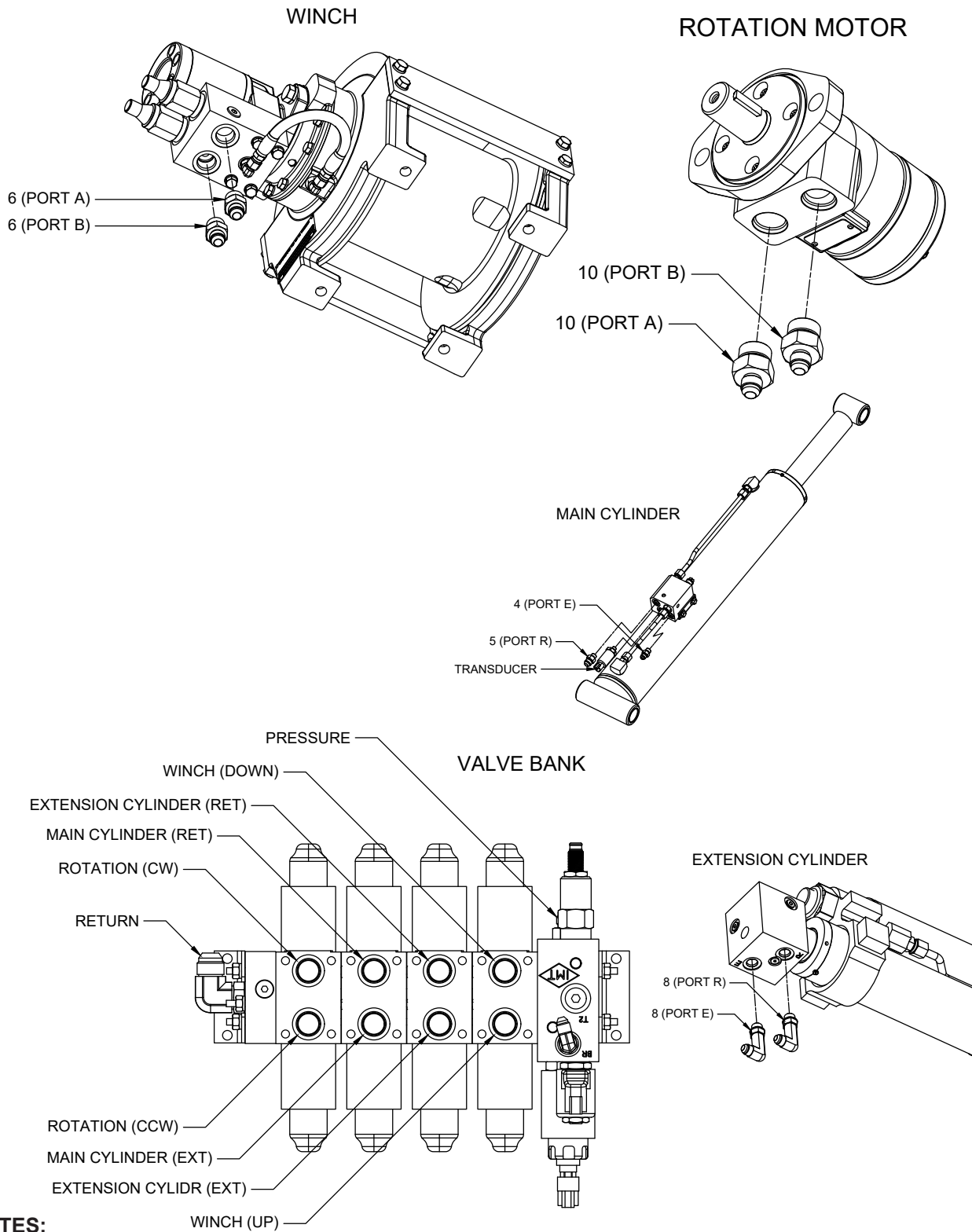


This page left intentionally blank

Hydraulic Schematic Single Proportional (99905596)



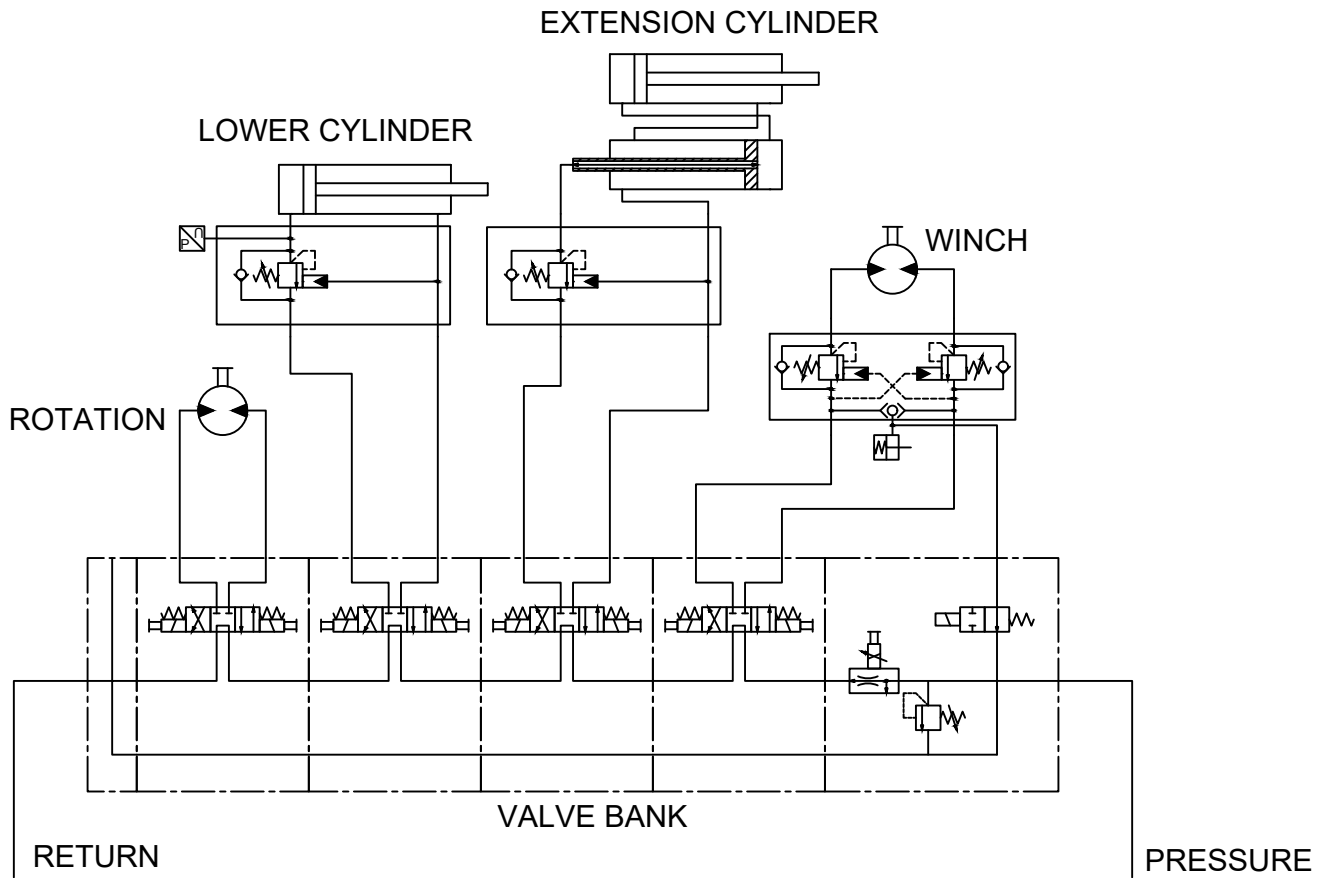
HYDRAULIC SCHEMATIC SINGLE PROPORTIONAL (99905596), CONTINUED



NOTES:

1. INSTALL 60350141 ON EXTENSION CYLINDER, MAIN CYLINDER, AND ROTATION MOTOR HOSES.
2. INSTALL 60350142 ON WINCH AND PRESSURE/RETURN VALVE BANK HOSES.
3. REMOVE BRAKE HOSE FROM FITTING IN WINCH MOTOR MANIFOLD. REMOVE AND REPLACE FITTING WITH TEE (ITEM 29). REINSTALL HOSE ONTO TEE.

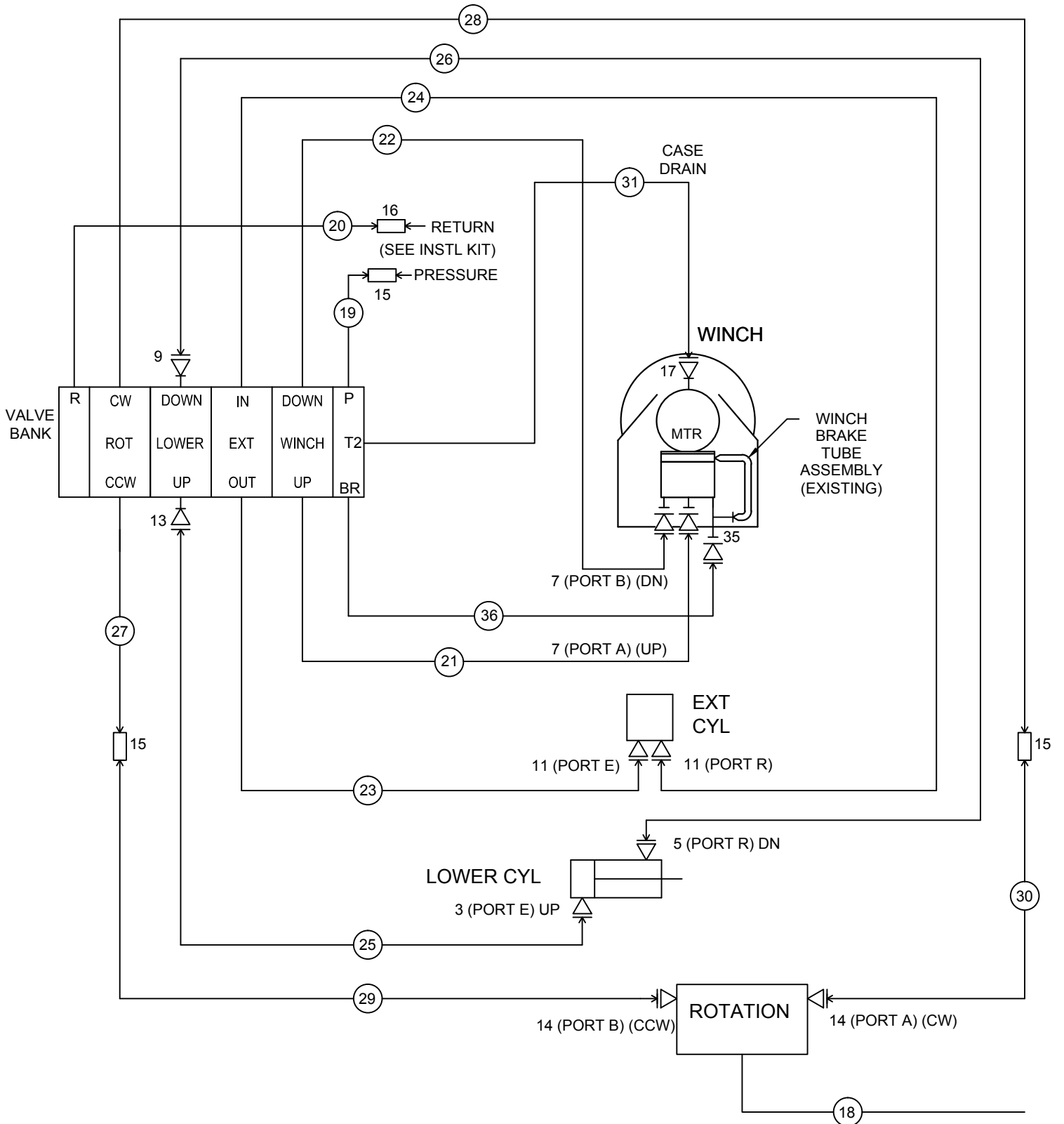
HYDRAULIC SCHEMATIC SINGLE PROPORTIONAL (99905596), CONTINUED



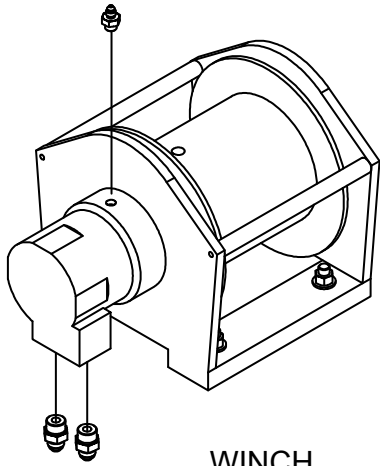
99905596 PARTS LIST

ITEM NO.	PART NO.	DESCRIPTION	KIT NO.	QTY.
1.	91726824	KIT-HYD BG4-BG6 SERIES III SP	REF	1
2.	51726820	KIT-BRADEN WINCH BRAKE RELEASE	REF	1
3.	73734472	VALVE BANK-4-SECT BV18 S3SP 12VDC		1
4.	72532355	ADPTR-M STR/M JIC 6 6	1	1
5.	72532357	ADPTR-M STR/M JIC 6 8	1	1
6.	72532359	ADPTR-M STR/M JIC 10 8	1	2
7.	72532670	ELBOW-M JIC/45/F JIC 8 8	1	1
8.	72532700	ELBOW-M STR/90/M JIC XLG 6 6	1	2
9.	72533583	ELBOW-M STR/45/M JIC 8 6	1	1
10.	72533613	ADPTR-M STR/M JIC 10 6	1	2
11.	72533648	SWIVEL-M JIC/90/M JIC 8 8	1	3
12.	72534412	SWIVEL-M JIC/90/M JIC 10 10	1	1
13.	51395121	HOSE-AA .13 X 13.50 (2-2) 100R17	1	1
14.	51396017	HOSE-FJ .50 X 30.00 (8-8) 100R16	1	1
15.	51397080	HOSE-FJ .62 X 30.00 (10-10) 100R17	1	1
16.	51397081	HOSE-FZ .50 X 31.50 (8-8) 100R17	1	1
17.	51397082	HOSE-FJ .50 X 31.00 (8-8) 100R17	1	1
18.	51396886	HOSE-FZ .38 X 25.00 (6-6) 100R17	1	1
19.	51396887	HOSE-FJ .38 X 24.50 (6-6) R10017	1	1
20.	51399072	HOSE-FJ .38 X 22.50 (8-6) 100R17	1	1
21.	51399073	HOSE-FZ .38 X 25.00 (8-6) 100R17	1	1
22.	60350141	SLEEVE-HOSE NHS-159 X 12 CUT & SEALED	1	3
23.	60350142	SLEEVE-HOSE NHS-254 X 15 CUT & SEALED	1	2
24.	51399228	HOSE-FJ .38 X 18.00 (8-6) 100R17	1	1
25.	51399229	HOSE-FJ .38 X 22.00 (8-6) 100R17	1	1
26.	51399462	HOSE-FJ .38 X 31.00 (6-6) 100R17	1	1
27.	51399463	HOSE-FZ .50 X 32.00 (8-8) 100R17	1	1
28.	51399908	HOSE-FF .25 X 32.00 (4-4) 100R17	2	1
29.	72534582	TEE-STL STR/JIC/JIC 4 4 4 RUN	2	1
30.	72534847	ADPTR-M JIC/F JIC 8 8 DIAGNOSTIC TEE		1
31.	73050225	GAUGE-5000 PSI 2.5IN CB MOUNT -4 MORB		1
REV.E CN1155				

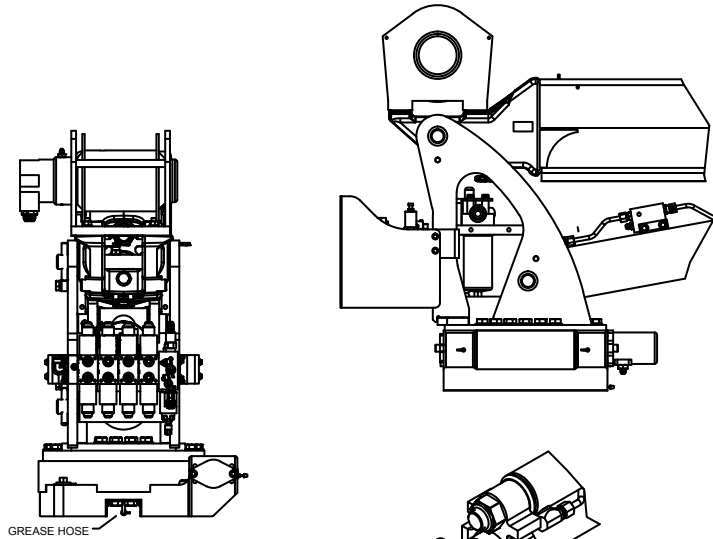
Hydraulic Schematic Single Proportional (99905596)



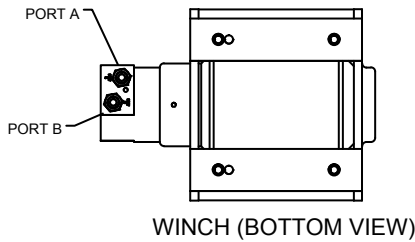
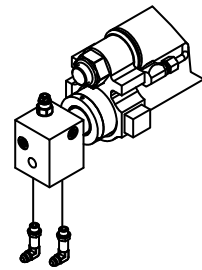
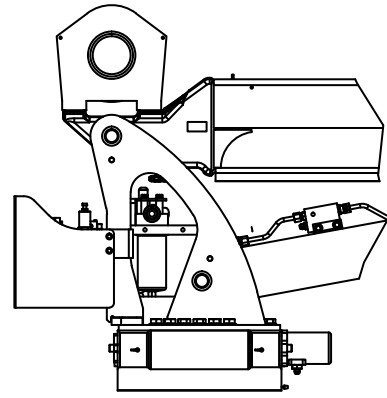
99905596-1



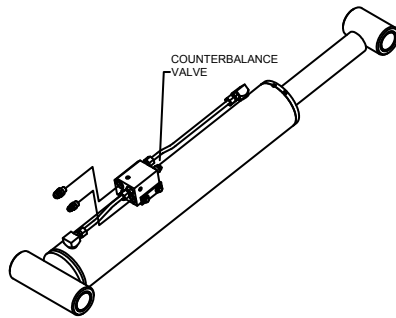
WINCH



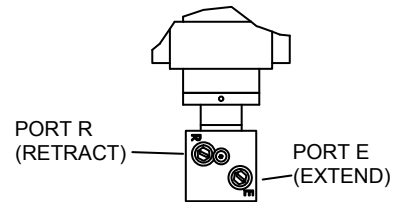
GREASE HOSE



WINCH (BOTTOM VIEW)



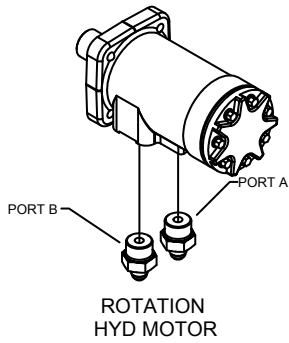
COUNTERBALANCE VALVE



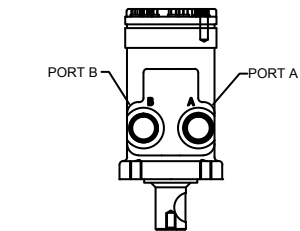
PORT R (RETRACT)

PORT E (EXTEND)

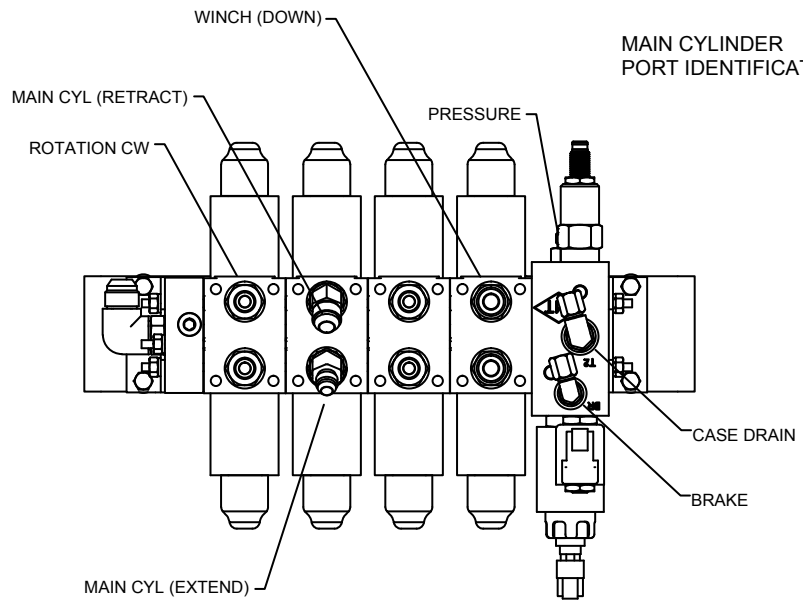
MAIN CYLINDER PORT IDENTIFICATIONS



ROTATION HYD MOTOR



HYD MOTOR PORT IDENTIFICATION



VALVE BANK PORT IDENTIFICATION

99905596 PARTS LIST

ITEM NO.	PART NO.	DESCRIPTION	KIT NO.	QTY.
1.	91725088	KIT-HYD A40-60 SP SERIES III		1
3.	72532355	ADPTR-M STR/M JIC 6 6	1	1
5.	72532357	ADPTR-M STR/M JIC 6 8	1	1
7.	72532359	ADPTR-M STR/M JIC 10 8	1	2
9.	72532670	ELBOW-M JIC/45/F JIC 8 8	1	1
11.	72532700	ELBOW-M STR/90/M JIC XLG 6 6	1	2
13.	72533583	ELBOW-M STR/45/M JIC 8 6	1	1
14.	72533613	ADPTR-M STR/M JIC 10 6	1	2
15.	72533648	SWIVEL-M JIC/90/M JIC 8 8	1	3
16.	72534412	SWIVEL-M JIC/90/M JIC 10 10	1	1
17.	72533490	ADPTR-M BSPP/M JIC 4 4	1	1
18.	51395121	HOSE-AA .13 X 13.50 (2-2) 100R17	1	1
19.	51396017	HOSE-FJ .50 X 30.00 (8-8) 100R16	1	1
20.	51397080	HOSE-FJ .62 X 30.00 (10-10) 100R17	1	1
21.	51397081	HOSE-FZ .50 X 31.50 (8-8) 100R17	1	1
22.	51397082	HOSE-FJ .50 X 31.00 (8-8) 100R17	1	1
23.	51396886	HOSE-FZ .38 X 25.00 (6-6) 100R17	1	1
24.	51396887	HOSE-FJ .38 X 24.50 (6-6) R10017	1	1
25.	51399462	HOSE-FJ .38 X 31.00 (6-6) 100R17	1	1
26.	51399463	HOSE-FZ .50 X 32.00 (8-8) 100R17	1	1
27.	51399072	HOSE-FJ .38 X 22.50 (8-6) 100R17	1	1
28.	51399073	HOSE-FZ .38 X 25.00 (8-6) 100R17	1	1
29.	51399228	HOSE-FJ .38 X 18.00 (8-6) 100R17	1	1
30.	51399229	HOSE-FJ .38 X 22.00 (8-6) 100R17	1	1
31.	51396344	HOSE-FJ .25 X 46.00 (4-4) 100R17	1	1
32.	60350141	SLEEVE-HOSE NHS-159 X 12 CUT & SEALED	1	3
33.	60350142	SLEEVE-HOSE NHS-254 X 15 CUT & SEALED	1	2
34.	51726252	KIT-DINAMIC WINCH BRAKE RELEASE		1
35.	72534910	TEE-STL MBSPT/MDIN/MDIN 2 6 6 RUN	34	1
36.	51399668	HOSE-FDF .25 X 32.00 (6-4) 100R17	34	1
REV. D				

NOTES:

SEE NEXT PAGE FOR WINCH HYDRAULIC MOTOR, LOWER, AND EXTENSION CYLINDER.

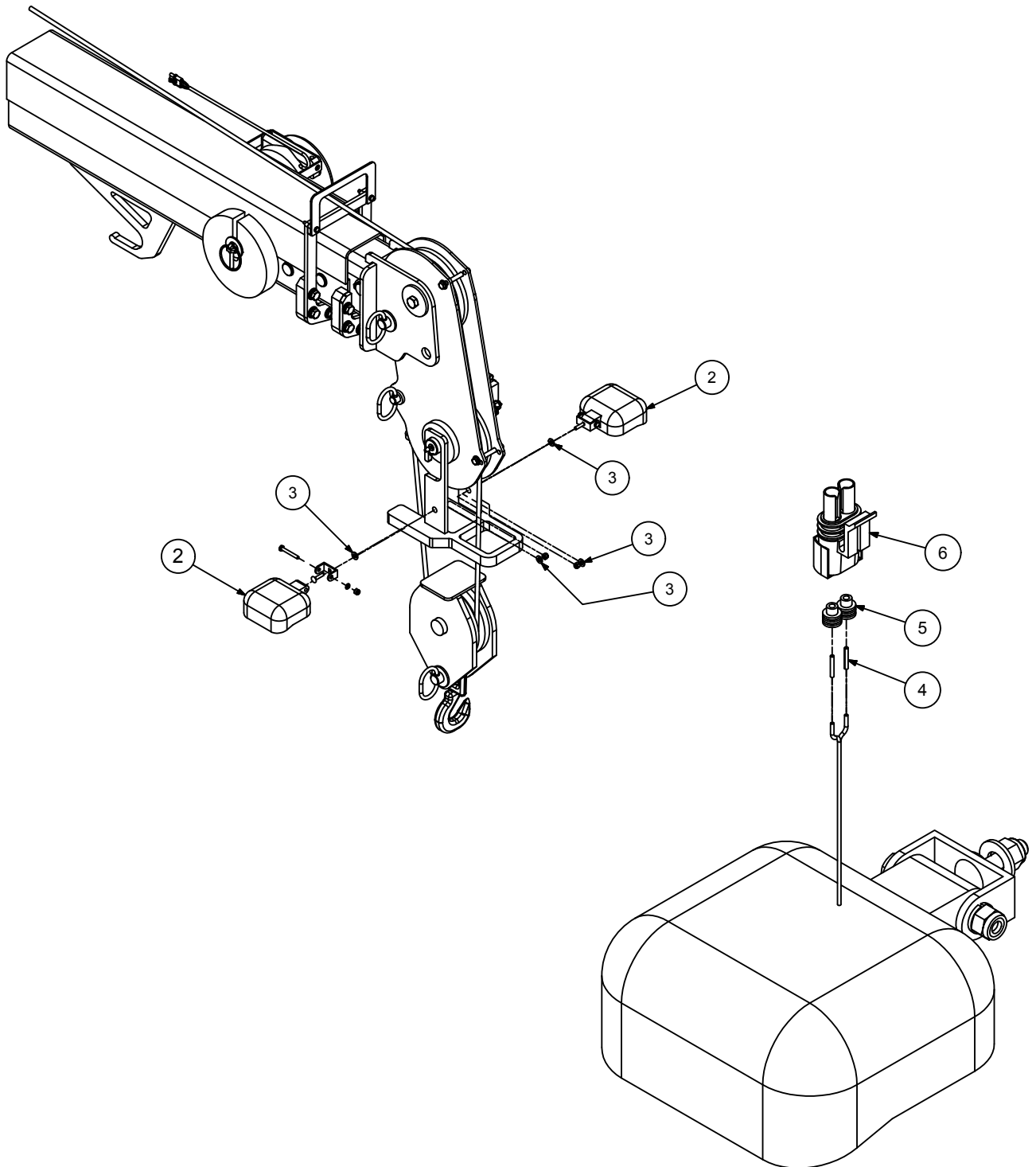
1. INSTALL 60350141 ON EXTENSION CYLINDER, MAIN CYLINDER HOSES AND ROTATION HOSES.
2. INSTALL 60350142 ON WINCH HOSES & PRESSURE AND RETURN VALVE BANK HOSES.
3. INSTALL 60350105 ON PRESSURE & RETURN HOSES, AND ROTATION HOSES THRU MAST.

This page left intentionally blank

Section - 5

Electrical & Lighting

LED Boom Tip Light Kit (99905289)

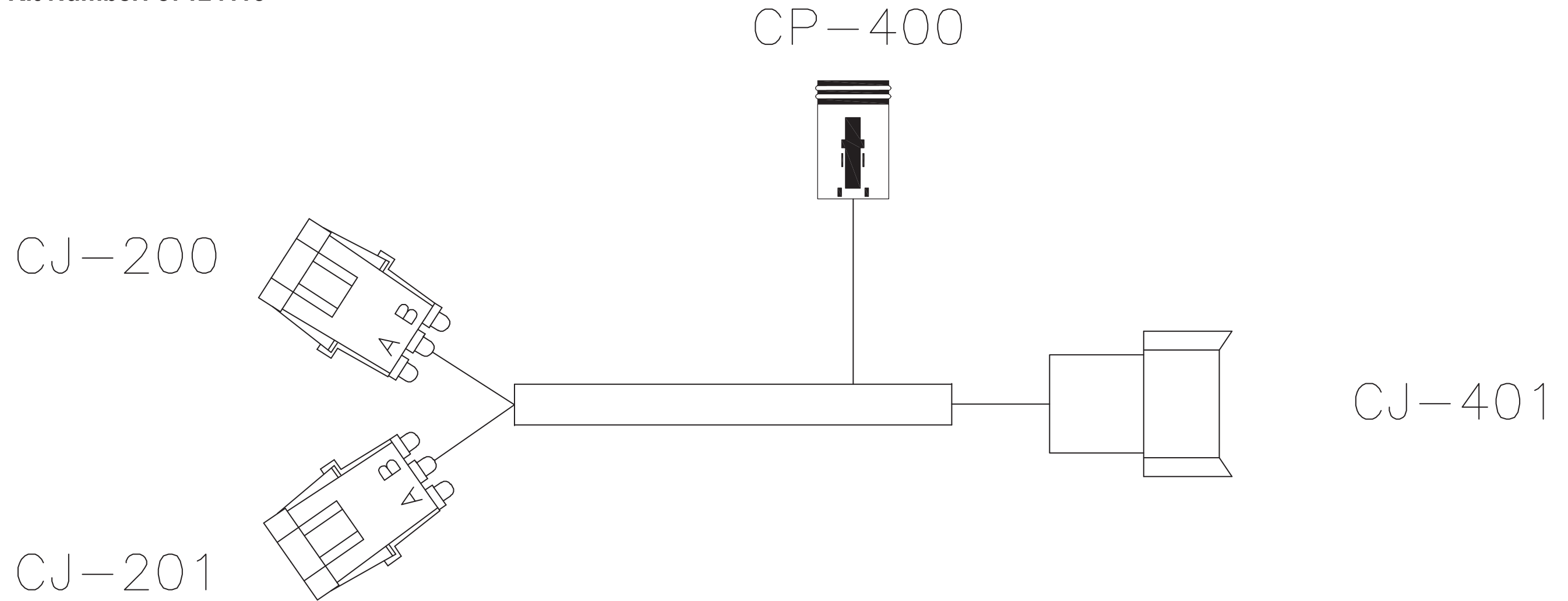


99905289 PARTS LIST

ITEM NO.	PART NO.	DESCRIPTION	Kit NO.	QTY.
1.	51724116	ELECT KIT-S3 BOOM DUAL LED FLOOD LIGHTS		1
1.	77441473	HARNESS-S3 BOOM TIP LED FLD LIGHT JUMPER		1
2.	77040581	FLOODLIGHT-LED 12-36VDC	1	2
3.	72063002	WASHER-FLAT .31 W ANSI B27.2 Z	1	4
4.	77045888	TERM-PKRD WEATHERPACK 14-16GA FEMALE	1	4
5.	77044927	CABLE SEAL-PKRD WP/MP 14 GA GREY	1	4
6.	77044574	CONN-PKRD WEATHERPACK 2 CAV FEMALE/TOWER	1	2
REV. C				

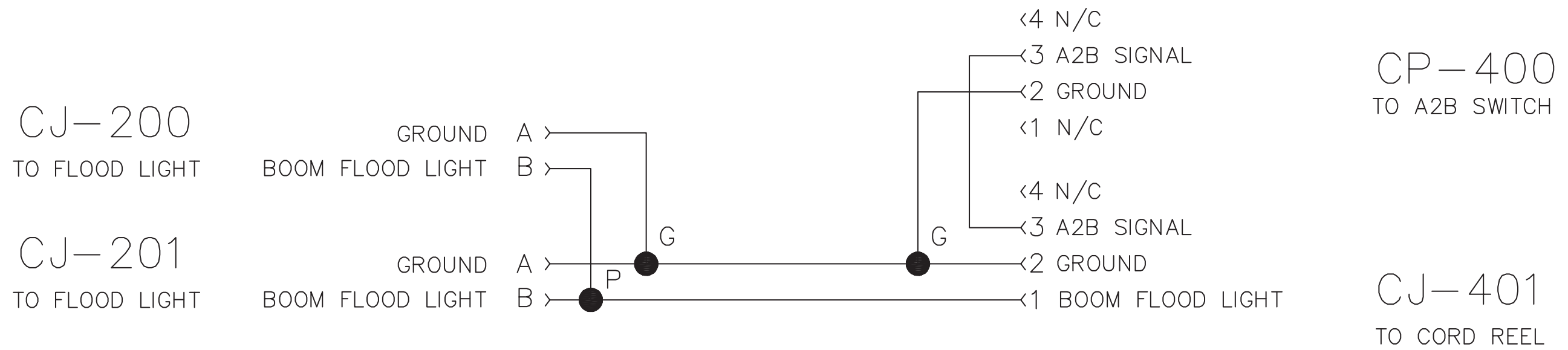
Harness-Boom Tip LED Flood Light (77441473)

Kit Number: 57124116

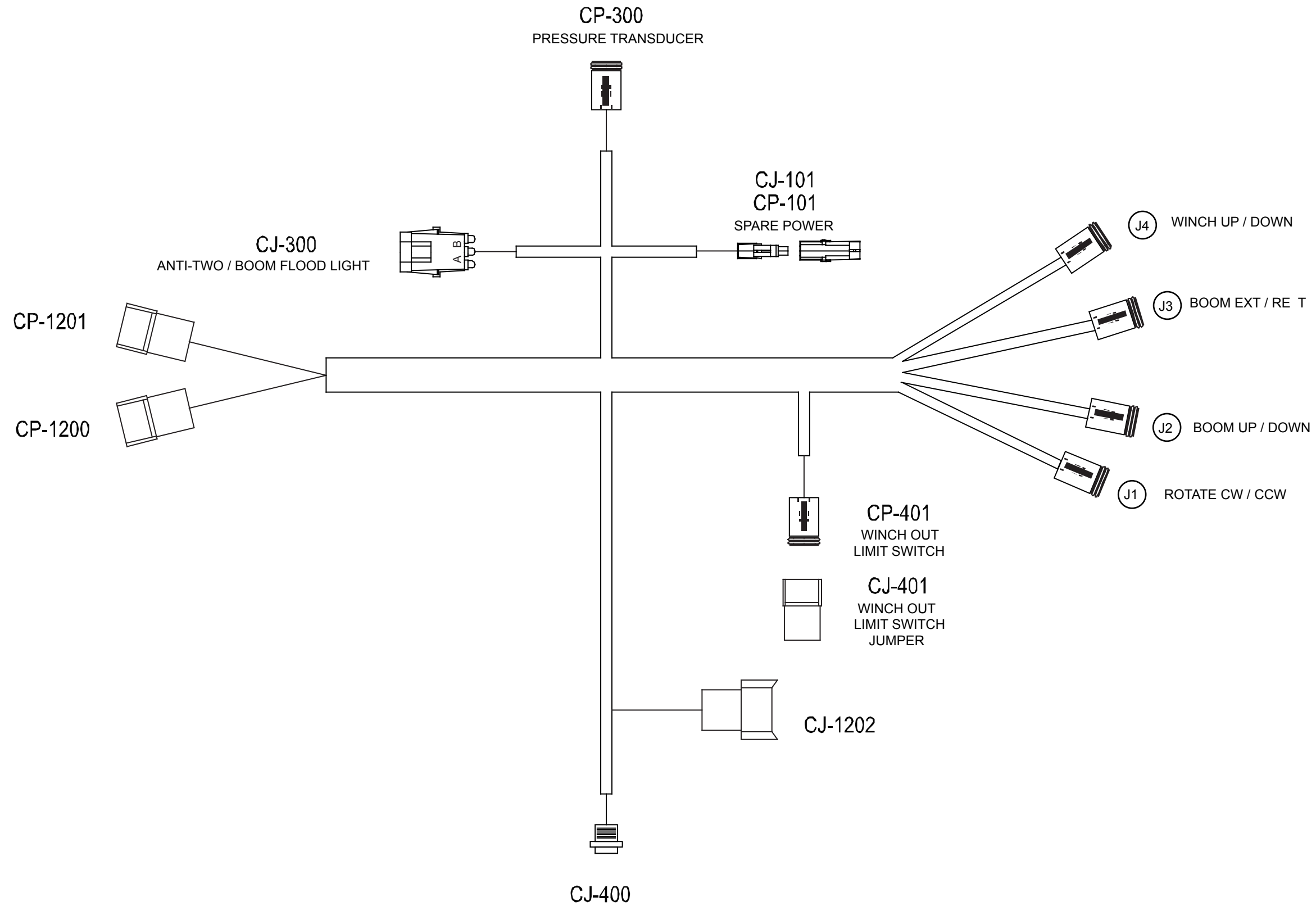


Harness-Boom Tip LED Flood Light (77441473) - continued

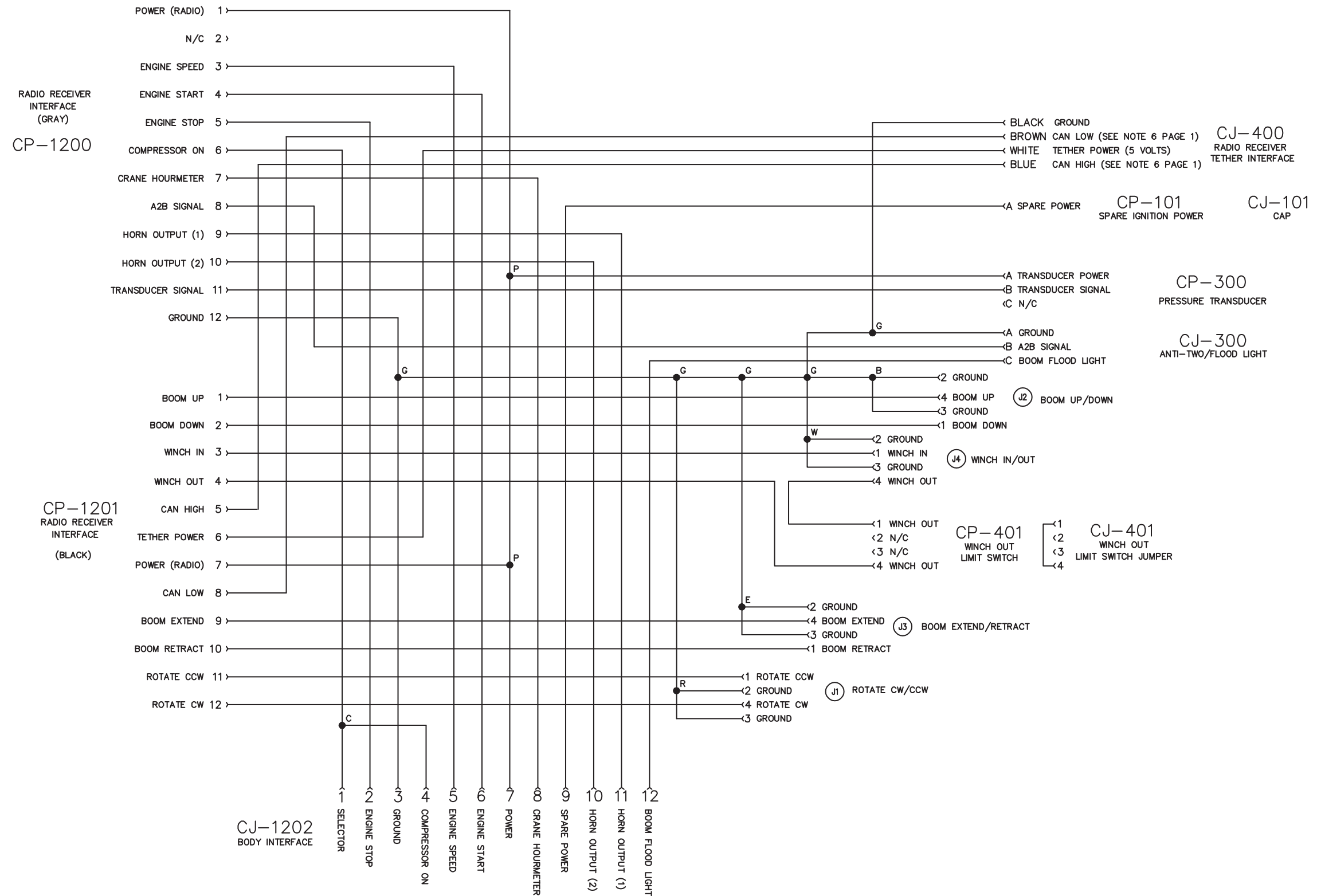
Kit Number: 57124116



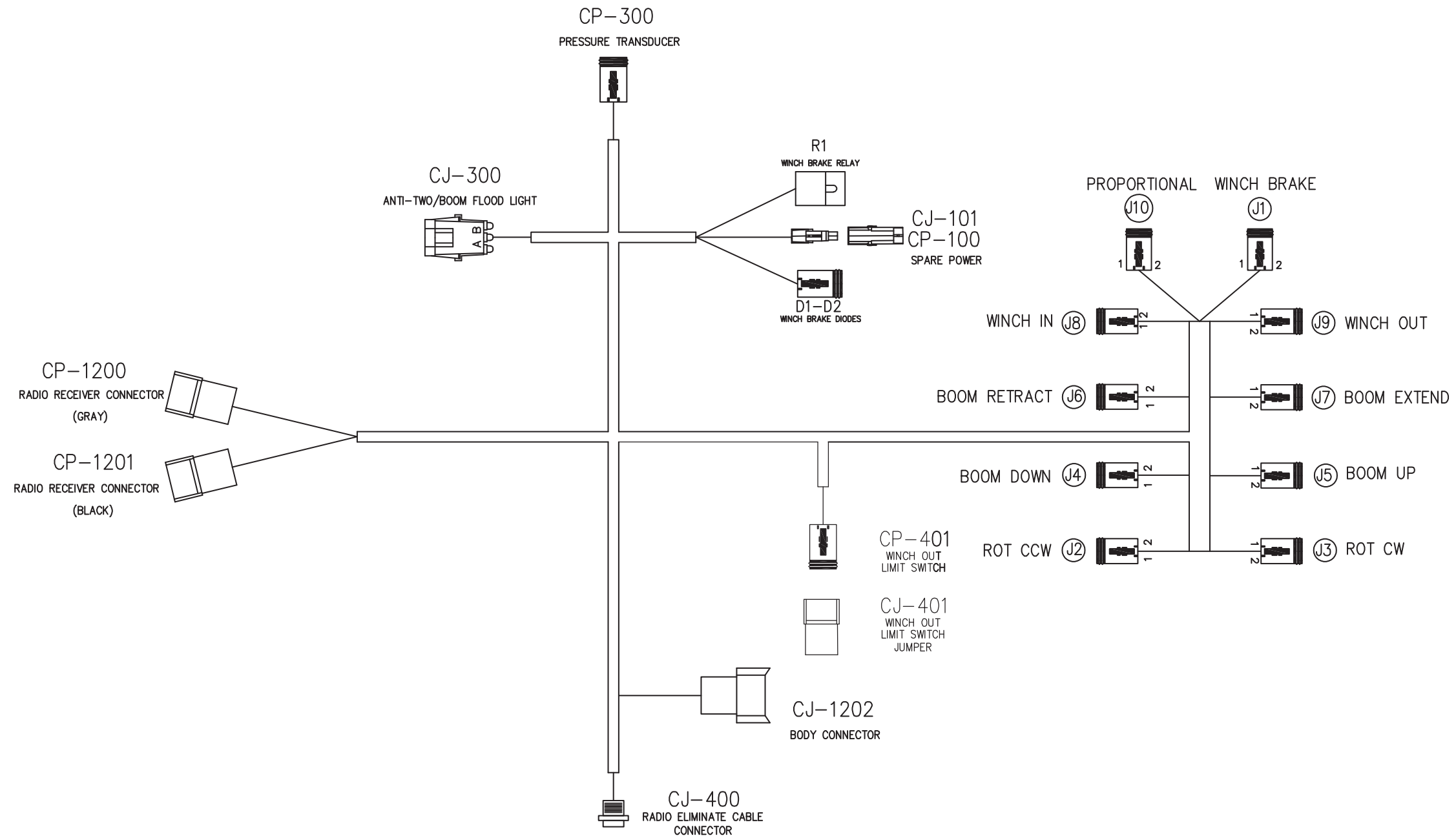
Radio Remote Harness, Fully Proportional (77441481)



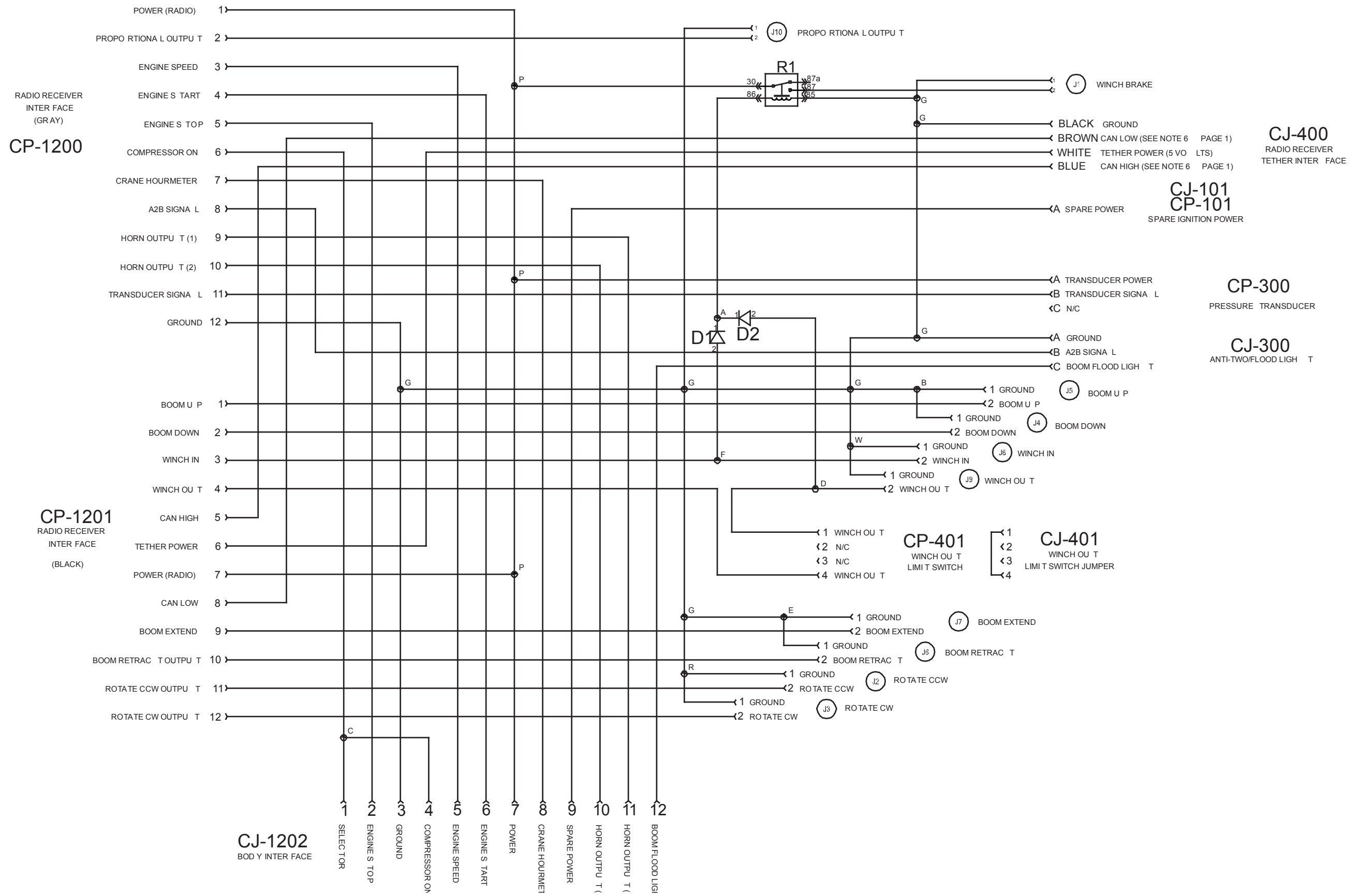
Radio Remote Harness, Fully Proportional (77441481-1)



Radio Remote Harness, Single Proportional (77441537)



Radio Remote Harness, Single Proportional (77441537-1)



10000 30' Harnesses (51726346 & 51726347)

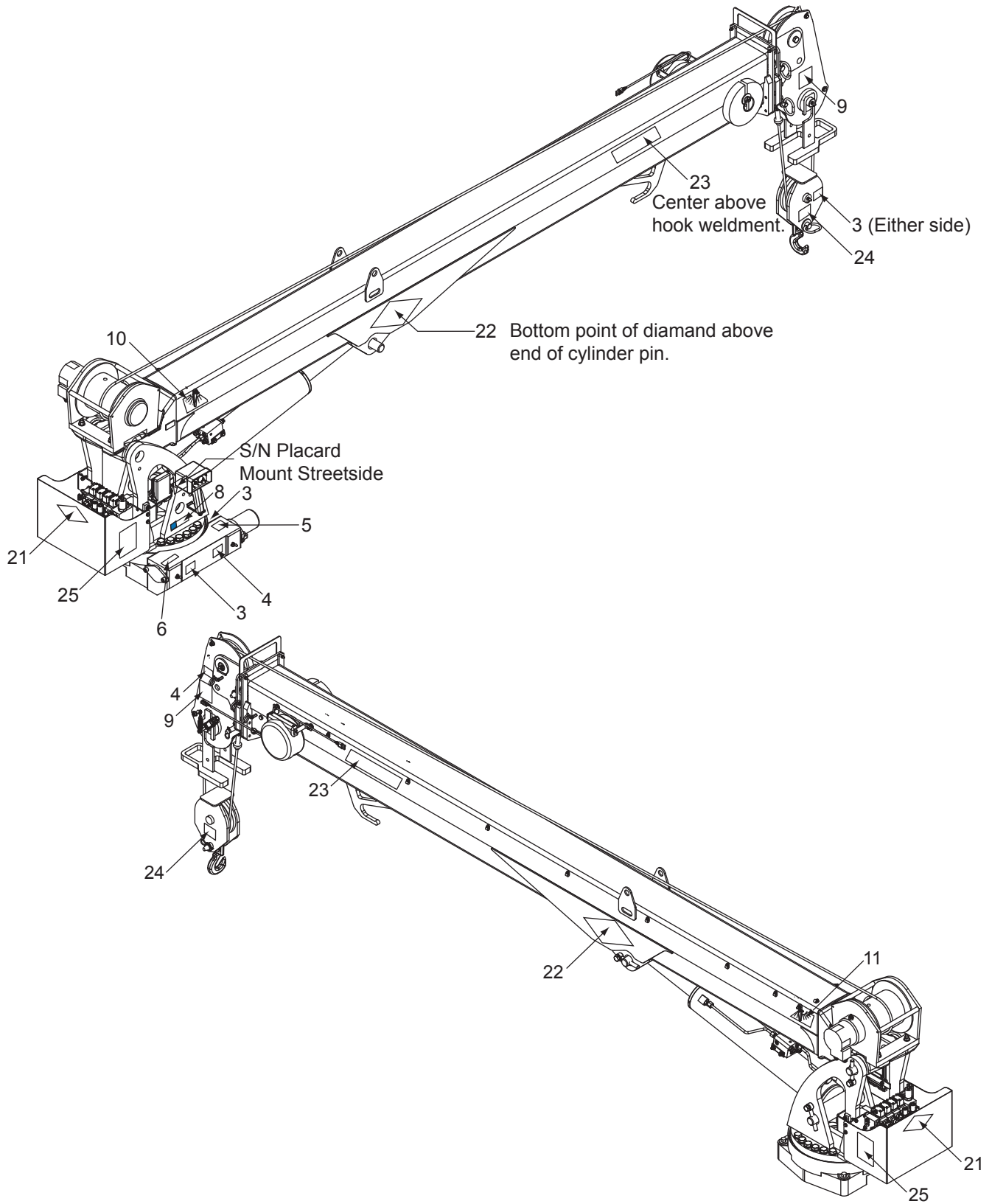
PART NO.	DESCRIPTION	QTY.
51726346	KIT-10000 TRANSDUCER SCALER S PROP	1
51726347	KIT-10000 TRANSDUCER SCALER S PROP	1

NOTE:PART NUMBERS: 51726346 AND 51726347 ARE **ONLY** FOR THE 10000 30' CRANE.

Section - 6

General Informantion

Decal Placement - 7500 - 10000 30' (99905087)



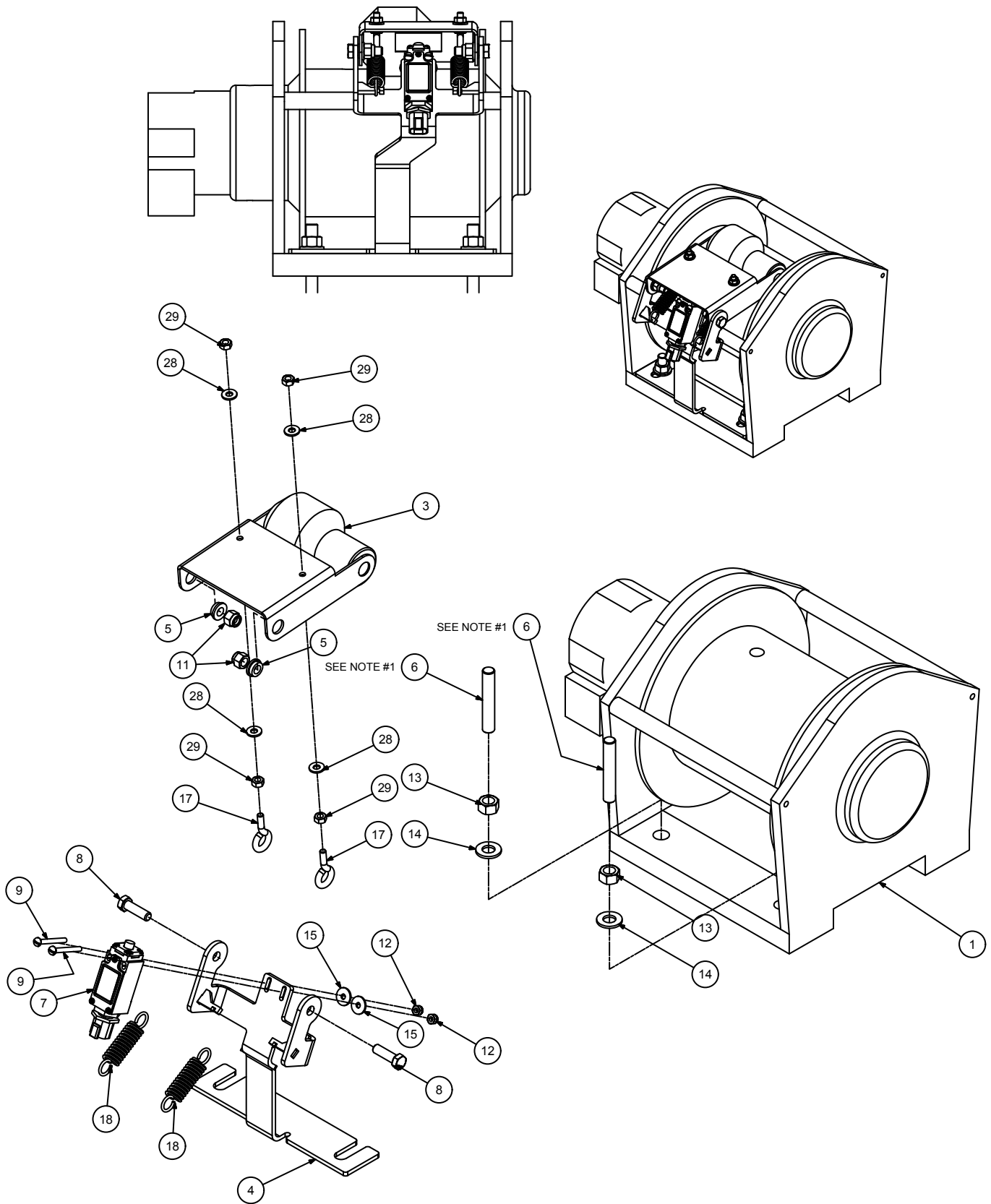
99905087 7500/10000 30' PARTS LIST

ITEM NO.	PART NO.	DESCRIPTION	KIT NO.	QTY. IN KIT	QTY. ON CRANE
1.	95724111	DECAL KIT - TELE COMMON			1
2.	95719348	DECAL KIT - BODY COMMON			1
3.	70391612	DECAL-GREASE WEEKLY (LEFT)	1	9	3
4.	70391613	DECAL-GREASE WEEKLY (RIGHT)	1	6	2
5.	70392524	DECAL-ROTATE CRANE WHILE GREAS	1	1	1
6.	70392399	DECAL-LUBRICATE WORM	1	1	1
8.	70395324	DECAL-ASME/ANSI B30.5-TELESCOP	1	1	1
9.	70395670	DECAL-CAUTION DOWN HAUL WT	1	2	2
10.	71399136	DECAL-ANGLE INDICATOR RH	1	1	1
11.	71399137	DECAL-ANGLE INDICATOR LH	1	1	1
12.	70392213	DECAL-CAUTION DONT WASH/WAX	1	1	1
13.	70392864	DECAL-DANGER OUTRG STAND CLEAR	2	4	4
14.	70392868	DECAL-DANGER CR LOADLINE (TRK)	2	4	4
15.	70392891	DECAL-DANGER DRIVELINE	2	1	1
16.	70394445	DECAL-DANGER ELEC HZD LG TELES	2	4	4
17.	70396613	DECAL-CRANE SAFETY & OPER	2	1	1
18.	70394189	DECAL-MOBIL OIL RESERVOIR	2	1	1
19.	71039134	DECAL-CAUTION OIL LEVEL	2	1	1
20.	70392982	DECAL-SERVICE & REPAIR	2	1	1
21.	70399195	DECAL-DIAMOND IMT 4 X 8 (REFL)	2	1	1
22.	70399140	DECAL-DIAMOND IMT 6.75X13.50 (REFL)	1	2	2
23.	70399047	DECAL-ID 7500			2REF
23.	70399050	DECAL-ID 10000			2REF
24.	70399345	DECAL-LOAD BLOCK RATING 4.3TONS			2REF
25.	70399103	DECAL-CAP CHART 7500-30'			2REF
25.	70399109	DECAL-CAP CHART 10000-30'			2REF
REV. D					

DECAL PLACEMENT (IF NOT SHOWN ON CRANE)

ITEM NO.	PLACEMENT
12,17,19,20,25	AT OR NEAR REMOTE HANDLE STORAGE POINT
13	2 ON REAR OUTRIGGERS, 2 ON SIDEPACK FRONT WALLS
15	AT OR NEAR DRIVELINE
14, 16	ON ALL FOUR SIDES OF CARRIER VEHICLE
18	ON TOP OF HYDRAULIC RESERVOIR

Option - Winch Roller (99905054)



99905054 PARTS LIST

ITEM NO.	PART NO.	DESCRIPTION	KIT NO.	QTY.
1	71570968	WINCH-PLANETARY 4400 LINE PULL (A41)		REF
2	91725601	KIT-HRDW WINCH ROLLER A40		1
3	52723095	ROLLER ASM- WINCH SWITCH		1
4	52723641	WLDMNT-BRKT WINCH ROLLER A40		1
5	60030439	SLEEVE-TYPE C 0.38X 0.62X .25		2
6	72602058	STUD .50-13(20)X 3.00 NC GR8 STL		2
7	77041863	SWITCH-LIMIT DT04-4P CONN		1
8	72060047	CAP SCR .38-16X 1.25 HH GR5 Z	#2	2
9	72060641	SCR-MACH 10-24X 1.75 RDH	#2	2
11	72062103	NUT .38-16 HEX NYLOCK	#2	2
12	72062106	NUT 10-24 HEX NYLOCK	#2	2
13	72062108	NUT .50-20 HEX CENTER LOCKING	#2	2
14	72063132	WASHER .50 FLAT ASTM F436	#2	2
15	72063268	WASHER #10 W FLAT ANSI B27.2Z	#2	2
17	72602076	BOLT-EYE .25-20X 1.00	#2	2
18	71413185	SPRING-.105WIRE 0.75OD 2.875 LG	#2	2
28	72063001	WASHER .25 FLAT		4
29	72062000	NUT .25-20 HEX		4
REV. C				

NOTES:

1. APPLY BLUE LOCTITIE WHEN INSTALLING STUDS INTO WINCH MOUNT CASTING.

Thread Torque Charts - Imperial

FINE THREAD TORQUE CHART (IMPERIAL)						COURSE THREAD TORQUE CHART (IMPERIAL)					
SIZE (DIA-TPI)	BOLT DIA. (INCHES)	GRADE 5		GRADE 8		SIZE (DIA-TPI)	BOLT DIA. (INCHES)	GRADE 5		GRADE 8	
		PLAIN FT-LB	PLATED FT-LB	PLAIN FT-LB	PLATED FT-LB			PLAIN FT-LB	PLATED FT-LB		
5/16-24	0.3125	19	14	27	20	5/16-18	0.3125	17	13	25	18
3/8-24	0.375	35	26	49	35	3/8-16	0.375	31	23	44	33
7/16-20	0.4375	55	41	78	58	7/16-14	0.4375	49	37	70	52
1/2-20	0.5	90	64	120	90	1/2-13	0.5	75	57	105	80
9/16-18	0.5625	120	90	170	130	9/16-12	0.5625	110	82	155	115
5/8-18	0.625	170	130	240	180	5/8-11	0.625	150	115	220	160
3/4-16	0.75	300	225	420	315	3/4-10	0.75	265	200	375	280
7/8-11	0.875	445	325	670	500	7/8-9	0.875	395	295	605	455
1-12	1	645	485	995	745	1-8	1	590	445	910	680
1 1/8-12	1.125	890	670	1445	1085	1 1/8-7	1.125	795	595	1290	965
1 1/4-12	1.25	1240	930	2010	1510	1 1/4-7	1.25	1120	840	1815	1360
1 3/8-12	1.375	1675	1255	2710	2035	1 3/8-6	1.375	1470	1100	2380	1780
1 1/2-12	1.5	2195	1645	3560	2670	1 1/2-6	1.5	1950	1460	3160	2370

REV. 20210504

REV. 20210504





NOTES:

1. TIGHTENING TORQUES PROVIDED ARE MID-RANGE.
2. CONSULT BOLT MANUFACTURER'S PARTICULAR SPECIFICATIONS WHEN PROVIDED.
3. USE FLAT WASHERS OF EQUAL STRENGTH.
4. ALL TORQUE MEASUREMENTS ARE GIVEN IN FT-LB
5. TORQUE VALUES SPECIFIED ARE FOR BOLTS WITH RESIDUAL OILS OR NO SPECIAL LUBRICANTS APPLIED. IF SPECIAL LUBRICANTS OF HIGH STRESS ABILITY, SUCH AS NEVER-SEEZ COMPOUND GRAPHITE AND OIL, MOLYBDENUM DISULFIDE, COLLOIDAL COPPER OR WHITE LEAD ARE APPLIED, MULTIPLY THE TORQUE VALUES IN THE CHARTS BY THE FACTOR .90. THE USE OF LOCTITE DOES NOT AFFECT THE TORQUE VALUES LISTED ABOVE.

⚠ WARNING

Anytime a gear-bearing bolt is removed, it must be replaced with a new bolt of the identical grade and size. Once a bolt has been torqued to 75% of its proof load and then removed, the torque coefficient may no longer be the same as when the bolt was new thus giving indeterminate clamp loads after torquing. Failure to replace gear-bearing bolts may result in bolt failure due to metal fatigue causing death or serious injury.

Thread Torque Charts - Metric

FINE THREAD TORQUE CHART (METRIC)						COURSE THREAD TORQUE CHART (METRIC)					
SIZE (DIA-TPI)	BOLT DIA. (INCHES)	GRADE 5 		GRADE 8 		SIZE (DIA-TPI)	BOLT DIA. (INCHES)	GRADE 5 		GRADE 8 	
		PLAIN (KG-M)	PLATED (KG-M)	PLAIN (KG-M)	PLATED (KG-M)			PLAIN (KG-M)	PLATED (KG-M)	PLAIN (KG-M)	PLATED (KG-M)
5/16-24	0.3125	3	2	4	3	5/16-18	0.3125	2	2	3	2
3/8-24	0.375	5	4	7	5	3/8-16	0.375	4	3	6	5
7/16-20	0.4375	8	6	11	8	7/16-14	0.4375	7	5	10	7
1/2-20	0.5	12	9	17	12	1/2-13	0.5	10	8	15	11
9/16-18	0.5625	17	12	24	18	9/16-12	0.5625	15	11	21	16
5/8-18	0.625	24	18	33	25	5/8-11	0.625	21	16	30	22
3/4-16	0.75	41	31	58	44	3/4-10	0.75	37	28	52	39
7/8-11	0.875	62	45	93	69	7/8-9	0.875	55	41	84	63
1-12	1	89	67	138	103	1-8	1	82	62	126	94
1 1/8-12	1.125	123	93	200	150	1 1/8-7	1.125	110	82	178	133
1 1/4-12	1.25	171	129	278	209	1 1/4-7	1.25	155	116	251	188
1 3/8-12	1.375	232	174	375	281	1 3/8-6	1.375	203	152	329	246
1 1/2-12	1.5	304	228	492	369	1 1/2-6	1.5	270	210	438	328

REV. 20210504

REV. 20210504

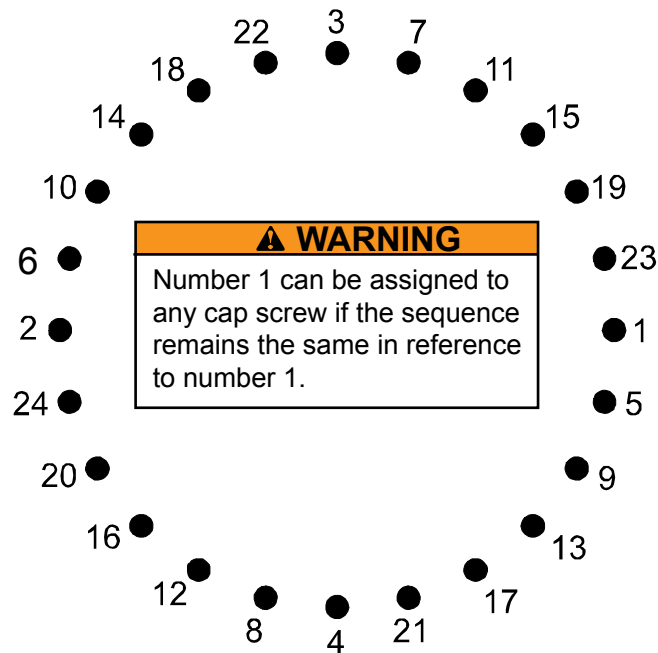
NOTES:

1. TIGHTENING TORQUES PROVIDED ARE MID-RANGE.
2. CONSULT BOLT MANUFACTURER'S PARTICULAR SPECIFICATIONS WHEN PROVIDED.
3. USE FLAT WASHERS OF EQUAL STRENGTH.
4. ALL TORQUE MEASUREMENTS ARE GIVEN IN FT-LB
5. TORQUE VALUES SPECIFIED ARE FOR BOLTS WITH RESIDUAL OILS OR NO SPECIAL LUBRICANTS APPLIED. IF SPECIAL LUBRICANTS OF HIGH STRESS ABILITY, SUCH AS NEVER-SEEZ COMPOUND GRAPHITE AND OIL, MOLYBDENUM DISULFIDE, COLLOIDAL COPPER OR WHITE LEAD ARE APPLIED, MULTIPLY THE TORQUE VALUES IN THE CHARTS BY THE FACTOR .90. THE USE OF LOCTITE DOES NOT AFFECT THE TORQUE VALUES LISTED ABOVE.

⚠ WARNING

Anytime a gear-bearing bolt is removed, it must be replaced with a new bolt of the identical grade and size. Once a bolt has been torqued to 75% of its proof load and then removed, the torque coefficient may no longer be the same as when the bolt was new thus giving indeterminate clamp loads after torquing. Failure to replace gear-bearing bolts may result in bolt failure due to metal fatigue causing death or serious injury.

Turntable Bearing Thread Tightening Sequence



NOTES:

Refer to the Turntable Bearing Thread Tightening diagram for proper tightening-torquing sequence of the turntable bearing to the crane base and crane mast. The total quantity of cap screws varies on crane model.

TIGHTENING PROCEDURE:

1. Refer to the Torque Data Chart to determine the proper torque value to apply to the size of cap screw used.
2. Follow the tightening sequence shown in the diagram.
3. Torque all cap screws to approximately 40% of the specified torque value by following the sequence examples:
 - .40 X 265 ft-lb = 106 ft-lb.
 - .40 X 36 kg-m = 14.4 kg-m.
4. Repeat step 3 torquing all cap screws to 75% of the specified torque value. Continue to follow the tightening sequence examples:
 - .75 X 265 ft-lb = 199 ft-lb.
 - .75 X 36 kg-m = 27 kg-m.
5. Using the proper sequence, torque all cap screws to the listed torque value as determined from the Torque Data Chart.



An Oshkosh Corporation company

IOWA MOLD TOOLING CO., INC.

P.O. Box 189 Garner, IA 50438

Tel: 641.923.3711

Fax: 641.923.2424

www.imt.com



Oshkosh is a registered trademark and the Oshkosh logo is a trademark of Oshkosh.

IMT reserves the right to make changes in engineering, design, specifications, add improvements or discontinue manufacturing at any time without notice or obligation.

IMT and IMT LOGO are registered trademarks of Iowa Mold Tooling Co., Inc., Garner, IA, USA.

© 2021 Iowa Mold Tooling Co., Inc. All Right Reserved.