

**PALFINGER**



**SANY**

PALFINGER SANY TRUCK CRANE QY25C



- ▷ **Intensive Quality Control** – Quality inspections done by PALFINGER specialists before shipment of cranes
- ▷ **Reliable Service** – Warranty term: 2250 working hours or 18 months. On-site service within 48 hours anywhere in Russia and Kazakhstan
- ▷ **Short Lead Time** – Stock of 25 t and 50 t enables viewing of the crane before purchasing
- ▷ **National homologation and documentation** – Complete homologation (e.g. GOST), Documentation and Crane Control Software available in English and Russian language
- ▷ **Euro 4 Engine**

**Service Hotline: +7 800 250 50 03**

**QUALITY  
CHANGES  
THE WORLD**

*Courtesy of Crane.Market*

# Chassis

## Driver's Cab

Unique and ergonomic two-man-cab, adjustable left side steering wheel and large field of vision. Seats with air suspension and three-point seat belt. Laminated safety windshield with wipe and wash system. Independent cab heater system. Dashboard includes full driving controls. Fire extinguisher. Air conditioner as an option.



## Engine

Dongfeng Cummins 6-cylinder diesel engine, ISLe 315 40, Euro 4, turbocharged with intercooler, 232 kW/315 HP, electronically controlled. Fuel tank capacity 300 l, lockable.



## Outriggers

H-framed outriggers, fully hydraulic with four vertical and horizontal cylinders incl. stabilizer plates. Fifth additional outrigger beneath the driver's cab with one vertical cylinder and a stabilizer plate. Independent horizontal and vertical control of outriggers. Control panels on both sides of the crane. Inclination display on both sides. Outrigger span: 5.3 m x 6.2 m

## Transmission

Shangxi FAST, manual transmission with splitter, 8 gears forward, 1 gear reverse.

## Tires

Tire Dimension: 11.00 R20  
Tubeless, radial for highways and off-road use. Single tire on the front axle, dual-tire on second and third axles. Spare tire.

## Brake

Driving brake: Dual circuit air booster brake acted by foot pedal.  
Exhaust brake  
Emergency and park brake controlled by hand brake handle.  
ABS

## Electrical System

24V, CAN-Bus.  
Full lighting package: Headlights, rear lights, brake lights, turn signals, reflectors. Lighting package meets EU regulations.



## Suspension

Front suspension: steel leaf spring suspension on axle 1, balanced two-axle steel leaf spring suspension on axles 2 and 3.

## Superstructure

### Operator's Cab

Spacious comfortable crane cab with large field of vision, laminated safety glass on all sides with wiper and wash system on front and upper glass. Seat with air suspension and head rest. Independent cab heater system. Fixed steel guard on front and upper side of the operator's cab.



### Boom

Boom shape: hexagonal.  
 Boom length: 10.65 m to 33.5 m; Telescopic boom: 4 sections, 4 rollers on boom head.  
 Lattice jib 8 m.



### Safety devices

Colour monitor indicates important parameters: torque percentage, hook load, rated load, boom extension, angle, slewing radius, lifting height, etc. Graphic symbols for: diagnostics, alarm function and working area limiter. Integrated parameter setup. Data storage included (black box). High voltage detector optional.



### Main winch

Main hoist winch with internal planetary gear and spring disk brake.  
 Single rope pull force: 50 kN  
 Rope specification: 16 mm x 175 m

### Auxiliary winch

Auxiliary hoist winch with internal planetary gear and spring disk brake.  
 Auxiliary hoist winch usable with foldable roster sheave.  
 Single rope pull force: 50 kN  
 Rope specification: 16 mm x 95 m

### Counter-weight

3.2 t fixed

### Hydraulic system

Triple gear pump:  
 The 1st and 2nd pump drive the winches, the luffing and hoist gear as well as the telescopic boom.  
 The 3rd pump drives the outriggers and slewing gear.  
 Hydraulic tank 526 l.

### Hook block

4-roller hook block with single hook. Capacity 25 t. Hook block weight 329 kg. Ball type latch hook. Capacity 5 t. Weight of the hook 90 kg.

# Technical parameter

## Dimensions and Weights

Overall length		12750 mm
Overall width		2500 mm
Overall height		3450 mm
Axle distance	Axle 1-2	4325 mm
	Axle 2-3	1350 mm
Overall weight		30000 kg
Axle load	Axle load 1	6500 kg
	Axle load 2-3	23500 kg

## Crane Carrier

Engine model	DongFeng Cummins ISLe 315 40
Rated power	315/232/2100 hp/kw/rpm
Rated torque	1200 Nm/1400 rpm
Max. travelling speed	80 km/h
Min. turning radius	10000 mm
Min. turning radius of boom head	12650 mm
Wheel formula	6×4
Wheel dimension	11.00R20
Spare wheel	included
Min. ground clearance	272 mm
Approach angle	16°
Departure angle	11°
Max. gradeability	38 %
Fuel reservoir	300 l
Fuel consumption per 100 km	≤35 l
Working fuel consumption per hour	10 l/h
Standard toolbox	included
Fire extinguisher	included
Heating system in lower and upper cab	included

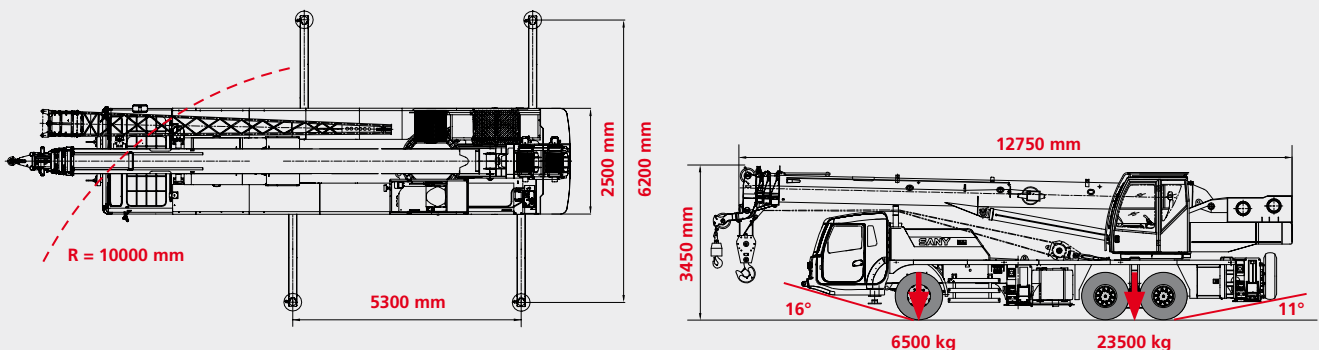
## Crane Superstructure

Temperature range		-25° till +40°
Min. rated range		3 m
Tail slewing radius of swingtable		3365 mm
Boom section		4
Boom shape		hexagonal
Max. lifting moment	Base boom	96.2 tm
	Full-extend boom	54.4 tm
	Full-extend boom+jib	34 tm
Boom length	Base boom	10.65 m
	Full-extend boom	33.5 m
	Full-extend boom+jib	41.5 m
Outrigger span (Longitudinal×Transversal)		6200×5300 mm
Jib offset		0° 15° 30°
Max. single rope lifting speed of main winch (no load)		130 m/min
Max. single rope lifting speed of auxiliary winch (no load)		130 m/min
Full extension/retraction time of boom		95/56 s
Full lifting/descending time of boom		72/42 s
Slewing speed		2.5 r/min
High Voltage Detector		included

## Options

- Arctic Package for temperature range till -40°C
- Air conditioning for lower and upper cab

# Product dimensions



## Service

**Service Hotline: +7 800 250 50 03**

We provide you with high-quality after-sales service and commit ourselves to the following **THREE** core principles:

- ▷ **ONE:** Give us **ONE** call and we will take care of your problem
- ▷ **TWO:** We offer **TWO** days of free training for your operators
- ▷ **THREE:** We do **THREE** inspections prior shipping the machine to you

We provide on-site service within 48 hours by our dealers, service stations or service specialists.

Our dealers, service stations and service specialists are regularly trained by PALFINGER SANY. The service equipment they use will enable them to provide you high quality service.

For PALFINGER SANY it is extremely important to provide a fast spare part supply for the product range offered to you. Therefore, we operate spare parts center with more than 4.100 parts in stock. Parts will be dispatched within 24 hours or can be directly picked up by yourself in our warehouse during our office hours.

PALFINGER SANY takes technical problems very serious. In the case of any technical issues, the company offers an extended warranty period of 2250 hours or 18 months from putting cranes into operation.

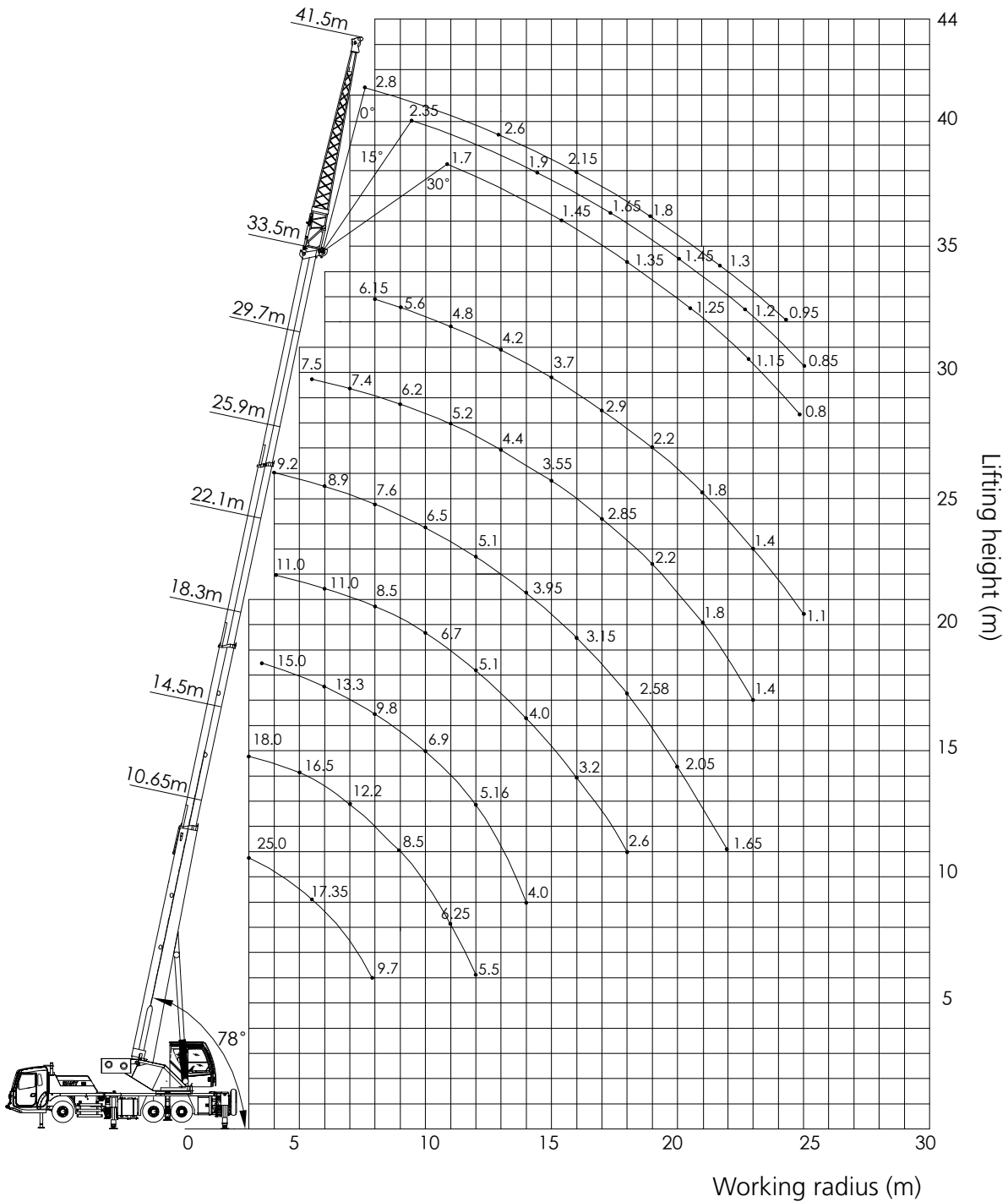


PALFINGER SANY will provide you with high-quality after-sales service. Our service will help you solve your problem the fastest and most reliable way.

### Assembly line



# Working ranges



## Load chart for main boom

Radius	Main boom						
	10.65 m	14.5 m	18.3 m	22.1 m	25.9 m	29.7 m	33.5 m
3	25000	18000					
3,5	25000	18000	15000				
4	24300	18000	14900	11000	9200		
4,5	21820	17000	14900	11000	9200		
5	18900	16500	14500	11000	9150	7500	
5,5	17350	16000	13800	11000	9150	7500	
6	15800	14500	13300	11000	8900	7500	
7	12200	12200	11300	9500	8300	7400	
8	9700	10000	9800	8500	7600	6500	6150
9		8500	8250	7550	7200	6200	5600
10		7500	6900	6700	6500	5700	5100
11		6250	5850	5800	5700	5200	4800
12		5500	5160	5100	5100	4800	4380
13			4600	4550	4510	4400	4200
14			4000	4000	3950	3900	3850
15			3500	3500	3550	3550	3700
16				3200	3150	3150	3150
17				2800	2800	2850	2900
18				2600	2580	2580	2550
19					2210	2200	2200
20					2050	2000	1970
21					1800	1800	1800
22					1650	1600	1600
23						1400	1400
24							1300
25							1100
Number of lines	8	8	6	4	4	4	3

# Product overview

## ▷ Truck Cranes



### QY25C (RUS)

Max. lifting capacity: 25 t, Main boom: 4 sections, Extension boom: 10.65-33.5 m, Chassis: 6x4x2



### STC250

Max. lifting capacity: 25 t, Main boom: 4 sections, Extension boom: 10.65-33.5 m, Chassis: 6x4x2



### STC250S

Max. lifting capacity: 25 t, Main boom: 5 sections, Extension boom: 10.5-39.5 m, Chassis: 6x4x2



### STC300

Max. lifting capacity: 30 t, Main boom: 4 sections, Extension boom: 10.65-33.5 m, Chassis: 8x4x4



### QY50C (RUS)

Max. lifting capacity: 50 t, Main boom: 5 sections, Extension boom: 11.5-42.5 m, Chassis: 8x4x4



### STC500S

Max. lifting capacity: 50 t, Main boom: 5 sections, Extension boom: 11.5-42.5 m, Chassis: 8x4x4



### STC750S

Max. lifting capacity: 75 t, Main boom: 5 sections, Extension boom: 11.8-45 m, Chassis: 8x4x4



### STC1000C

Max. lifting capacity: 100 t, Main boom: 6 sections, Extension boom: 13.3-60 m, Chassis: 10x6x6



### STC1250C

Max. lifting capacity: 125 t, Main boom: 6 sections, Extension boom: 13.3-78.1 m, Chassis: 10x6x6

## ▷ Rough Terrain Cranes



### SRC350C

Max. lifting capacity: 35 t, Main boom: 4 sections, Extension boom: 10-31.5 m, Chassis: 4x4x4



### SRC550C

Max. lifting capacity: 55 t, Main boom: 4 sections, Extension boom: 11.25-34.5 m, Chassis: 4x4x4



### SRC750C

Max. lifting capacity: 75 t, Main boom: 5 sections, Extension boom: 11.8-45 m, Chassis: 4x4x4

## ▷ All Terrain Cranes



### SAC1800

Max. lifting capacity: 180 t, Main boom: 6 sections, Extension boom: 13.5-62 m, Chassis: 10x8x10



### SAC2200

Max. lifting capacity: 220 t, Main boom: 6 sections, Extension boom: 13.5-62 m, Chassis: 10x8x10



### SAC3000

Max. lifting capacity: 300 t, Main boom: 7 sections, Extension boom: 15.4-80 m, Chassis: 12x8x12



### SAC3500

Max. lifting capacity: 350 t, Main boom: 6 sections, Extension boom: 15.2-70 m, Chassis: 12x8x12



### SAC6000

Max. lifting capacity: 600 t, Main boom: 7 sections, Extension boom: 17.1-90 m, Chassis: 16x10x16

## CONTACT DETAILS

**PALFINGER SANY**  
**International Mobile Cranes Sales GmbH**  
 F.-W.-Scherer Straße 24 | 5020 Salzburg | Austria  
 ☎ +43 662 4684-0 | 📠 +43 662 4684-2437  
 info@palfinger-sany.com  
 www.palfinger-sany.com

\* Products shown in the leaflet do not always correspond to the standard version. Country-specific regulations must be observed. Dimensions may vary. Subject to technical changes, errors and translation mistakes.

KP-QY25CM1+E, 11/13