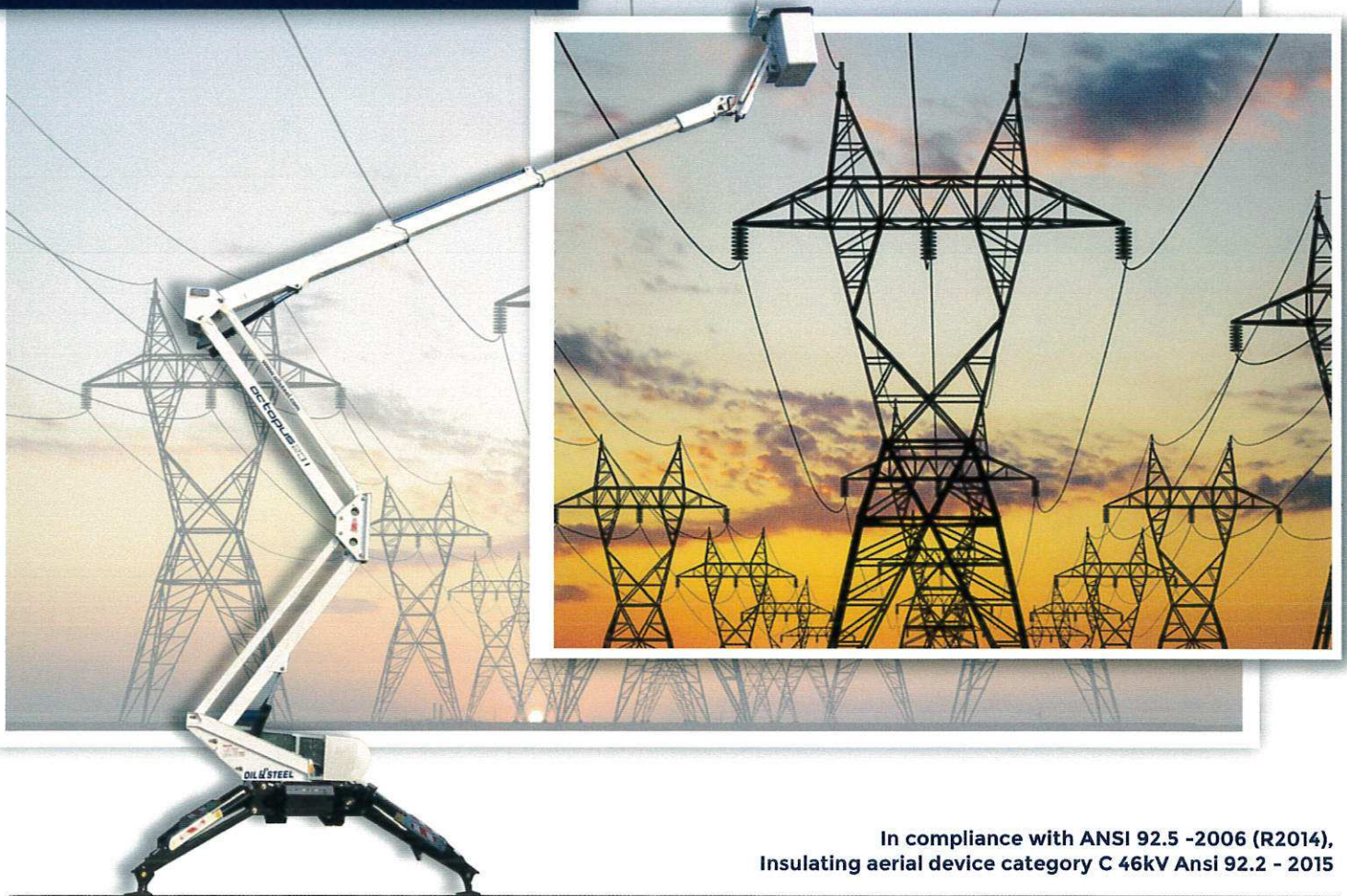


# OCTOPUS 23 I



In compliance with ANSI 92.5 -2006 (R2014),  
Insulating aerial device category C 46kV Ansi 92.2 - 2015

## DESIGNED WITH SAFETY IN MIND

- Fiberglass with liner, improving safety for the operator
- Equipped with wireless remote control, allowing to stabilize and travel less closer to the hazardous area
- Rubber tracks independently extendible on both left and right sides, offering better stability during travelling and adjustments for transversal slopes compensation
- Non-conductive Hydraulic hoses for superior insulation

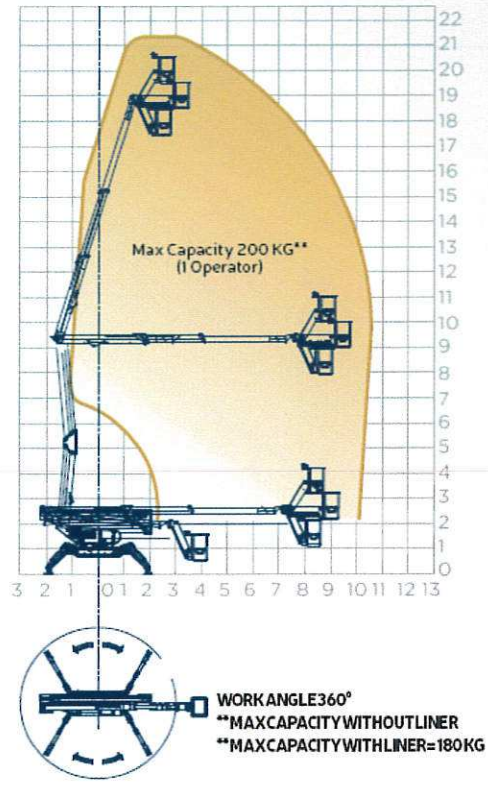
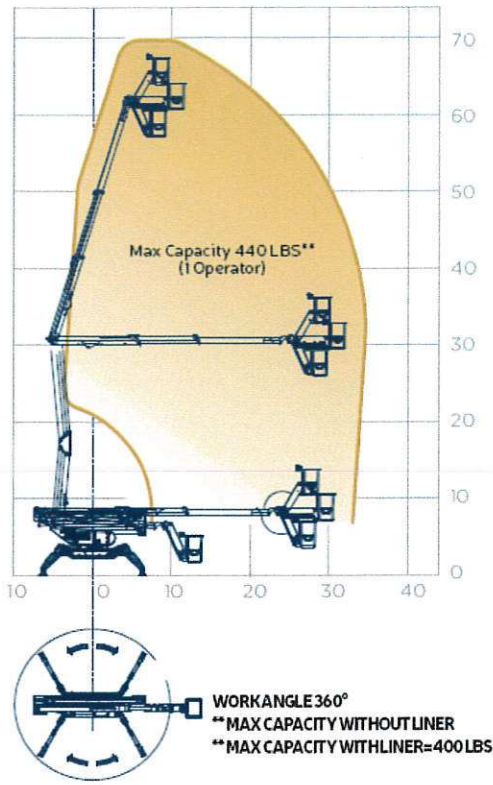
## 1st CLASS OPERATION AND PERFORMANCE

- Exclusive "one man and half" basket, making for more versatility and comfort
- Exclusive Rotating Jib that increases the aerial working area without needing to rotate the column
- Double articulation for almost perfect vertical basket movement and maximum outreach at relevant heights, making it easier to overcome obstacles
- ( Optional ) Hydraulic circuit available at platform, enabling the operator to use hydraulic or pneumatic tools to accomplish his job

## EXTREMELY LIGHT AND COMPACT

- The lightest aerial working platform in its class
- The most compact working platform in its class
- Radial Outriggers that can be rotated, making it easier for the platform to access to narrow spaces, gates and doors

# OCTOPUS 23 I



**WORK ANGLE 360°**  
**\*\*MAX CAPACITY WITHOUT LINER**  
**\*\*MAX CAPACITY WITH LINER=400 LBS**



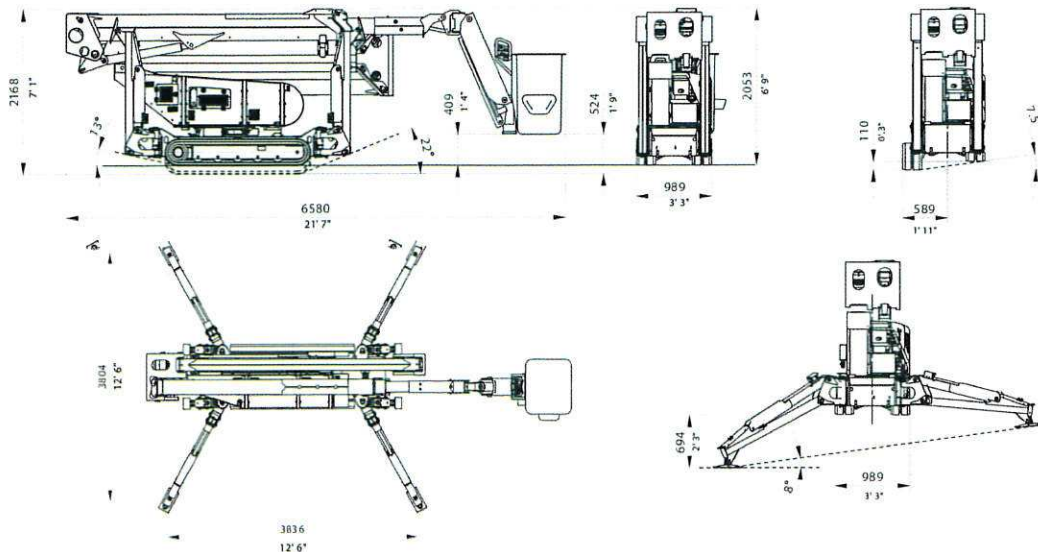
**WORK ANGLE 360°**  
**\*\*MAX CAPACITY WITHOUT LINER**  
**\*\*MAX CAPACITY WITH LINER=180 KG**

## SPECIFICATIONS AND PERFORMANCE



Max. working height	70 ft
Platform floor height	64 ft
Max out reach	35 ft
Platform capacity	440 Lbs
Platform size *	30 x 24 x 42 inch
Turret rotation	360°
Articulating boom angle	85°
Upper boom angle	77° (-7° / +70°)
Jib angle (vertical plane)	127° (-67° / 60°)
Jib angle (horizontal plane)	90° (+/-45°)
Controls	Radio Remote
Stowed height	259 inch
Width	39 inch
Weight	7280 Lbs

\*1 man and a half basket



**AERIAL PLATFORMS**  
 OIL&STEEL is a company of MANITEX International

OIL&STEEL S.p.A  
 IT-41018 S. Cesario sul Panaro - Modena Italy  
 via G. Verdi 22  
 Ph. +39 059 936811 - Fax +39 059 936413  
 info@oilsteel.com - www.oilsteel.com

Courtesy of CraneMarket.com

Technical data may be updated without notice and may be subject to tolerances.