

## Boom and Jib Combinations Data

Available in two basic models.

**Model 14100H** — Equipped with a 30 ft 10 in to 100 ft (9.40-30.49 m) four-section boom. This model can be equipped with a 30 ft (9.15 m) single-section jib or a 30-54 ft (9.15-16.46 m) two-section jib. Maximum tip height w/30 ft (9.15 m) jib is 137 ft (41.77 m), while maximum tip height w/30-54 ft (9.15-16.46 m) jib is 161 ft (49.08 m).

30'10" - 100' (9.40-30.49 m) four-section boom



30'10" - 100' (9.40-30.49 m) four-section boom    **14FJ30M**    30 ft (9.15 m) single-section jib



30'10" - 100' (9.40-30.49 m) four-section boom    **14FJ54M**    30-54 ft (9.15-16.46 m) two-section jib



**Model 14127H** — Equipped with a 31 ft 7 in to 127 ft (9.63-38.72 m) five-section boom. This model can be equipped with a 30 ft (9.15 m) single-section jib. Maximum tip height w/30 ft (9.15 m) jib is 167 ft (50.91 m).

31'7" - 127' (9.63-38.72 m) five-section boom



31'7" - 127' (9.63-38.72 m) five-section boom    **14FJ30M**    30 ft (9.15 m) single-section jib



**Note:** maximum tip height is measured with outriggers/stabilizers fully extended.

## 1400H Winch Data

- Do not deadhead line block against boom tip when extending boom.
- Keep at least 3 wraps of loadline on drum at all times.
- Use only 5/8" diameter rotation-resistant cable with 45,400 pounds breaking strength on this machine.

MAXIMUM BOOM LENGTH AT MAXIMUM ELEVATION WITH RIGGING SHOWN WITH LOAD BLOCK AT GROUND LEVEL.

Winch	Cable Supplied	Average Breaking Strength	1 Part Line	2 Part Line	3 Part Line	4 Part Line	5 Part Line	6 Part Line	7 Part Line	8 Part Line
			Lift and Speed	Lift and Speed	Lift and Speed	Lift and Speed	Lift and Speed	Lift and Speed	Lift and Speed	Lift and Speed
Standard Planetary Winch Low Speed	5/8" Diameter Rotation Resistant 18 x 19 IWRC	45,400 lb (20,593 kg)	9,000 lb (4,082 kg) 170 fpm (52 m/min)	18,000 lb (8,165 kg) 85 fpm (26 m/min)	27,000 lb (12,247 kg) 57 fpm (17 m/min)	36,000 lb (16,329 kg) 43 fpm (13 m/min)	45,000 lb (20,412 kg) 34 fpm (10 m/min)	54,000 lb (24,494 kg) 28 fpm (9 m/min)	63,000 lb (28,576 kg) 24 fpm (7 m/min)	66,000 lb (29,937 kg) 21 fpm (6 m/min)
Standard Planetary Winch High Speed	5/8" Diameter Rotation Resistant 18 x 19 IWRC	45,400 lb (20,593 kg)	4,400 lb (1,996 kg) 340 fpm (104 m/min)	8,800 lb (3,992 kg) 170 fpm (52 m/min)	13,200 lb (5,987 kg) 113 fpm (34 m/min)	17,600 lb (7,983 kg) 85 fpm (26 m/min)	22,000 lb (9,979 kg) 68 fpm (21 m/min)	26,400 lb (11,975 kg) 57 fpm (17 m/min)	30,800 lb (13,971 kg) 49 fpm (15 m/min)	35,200 lb (15,967 kg) 43 fpm (13 m/min)

All winch pulls and speeds in this chart are shown on the fourth layer. Winch line pulls would increase on the first, second and third layers. Winch line speed would decrease on the first, second and third layers. Winch line pulls may be limited by the winch capacity or the ANSI 5 to 1 cable safety factor. These are shown below.

Winch	Full Drum Pull	Allowable Cable Pull
Standard planetary	4,400 lb. (1,996 kg) (high speed) 9,000 lb. (4,082 kg) (low speed)	9,080 lb. (4,119 kg)

Aux. Boom Head Downhaul Weight	100 lb
1 Sheave Block	180 lb
2 Sheave Block	375 lb
3 Sheave Block	640 lb
4 Sheave Block	870 lb
	970 lb

## Accessories

**Winch Drum Rotation Indicator** - With indicators at each control station.

• **Model WDRI**

**Radio Remote Controls** - Eliminate the handling and maintenance concerns that accompany cabled remotes. Operate to a range of about 250 feet (76 m), varying with conditions.

• **Model NB3R** (lift, turn telescope)  
• **Model NB4R** (adds winch control)

**One-Person Basket** - Strong but lightweight steel basket with 300-lb. (136-kg) capacity, gravity hung with swing lock and full body harness.

• **Model B1-S**  
• **Model 2B1-S** (for dual locking baskets)

**Heavy-duty Personnel Basket** - 1,200-lb. (544-kg) capacity on main boom, 500lb (227kg) on jib, steel basket with four safety loops. Gravity leveling 72-x 42-inch (183-x 107-cm) platform. Fast attachment and secure locking systems. Load chart must show at least 3,550 lb (1610 kg) minimum to operate this accessory on main boom; 2,150 lb (975 kg) on jib.

• **Model BSA-1**  
• **Model BSA-R1** (provides rotation)

**Pallet Fork** - Manual leveling fork with adjustable throat and teeth, 4,400-lb. (1,996-kg) capacity.

• **Model MKF**

**Loose Material Clam** - Moves up to 2/3 yard<sup>3</sup> (.50 m<sup>3</sup>) material. Bucket hooks easily to loadline and includes control valve and boom-mounted hose reel.

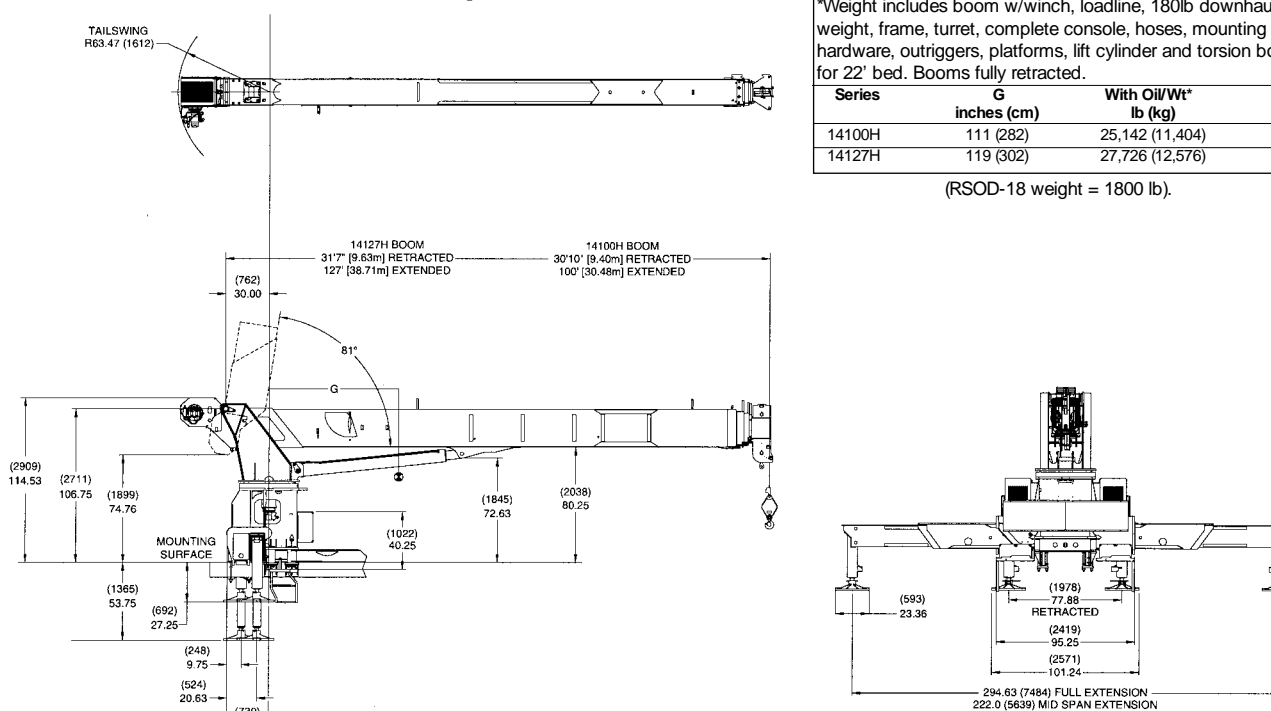
• **Model LMC**

**Single Front Stabilizer** - Attaches at front bumper location to provide 360° stability. Chassis requires extended front frame rails.

• **Model SFO**

### Dimensions Specifications:

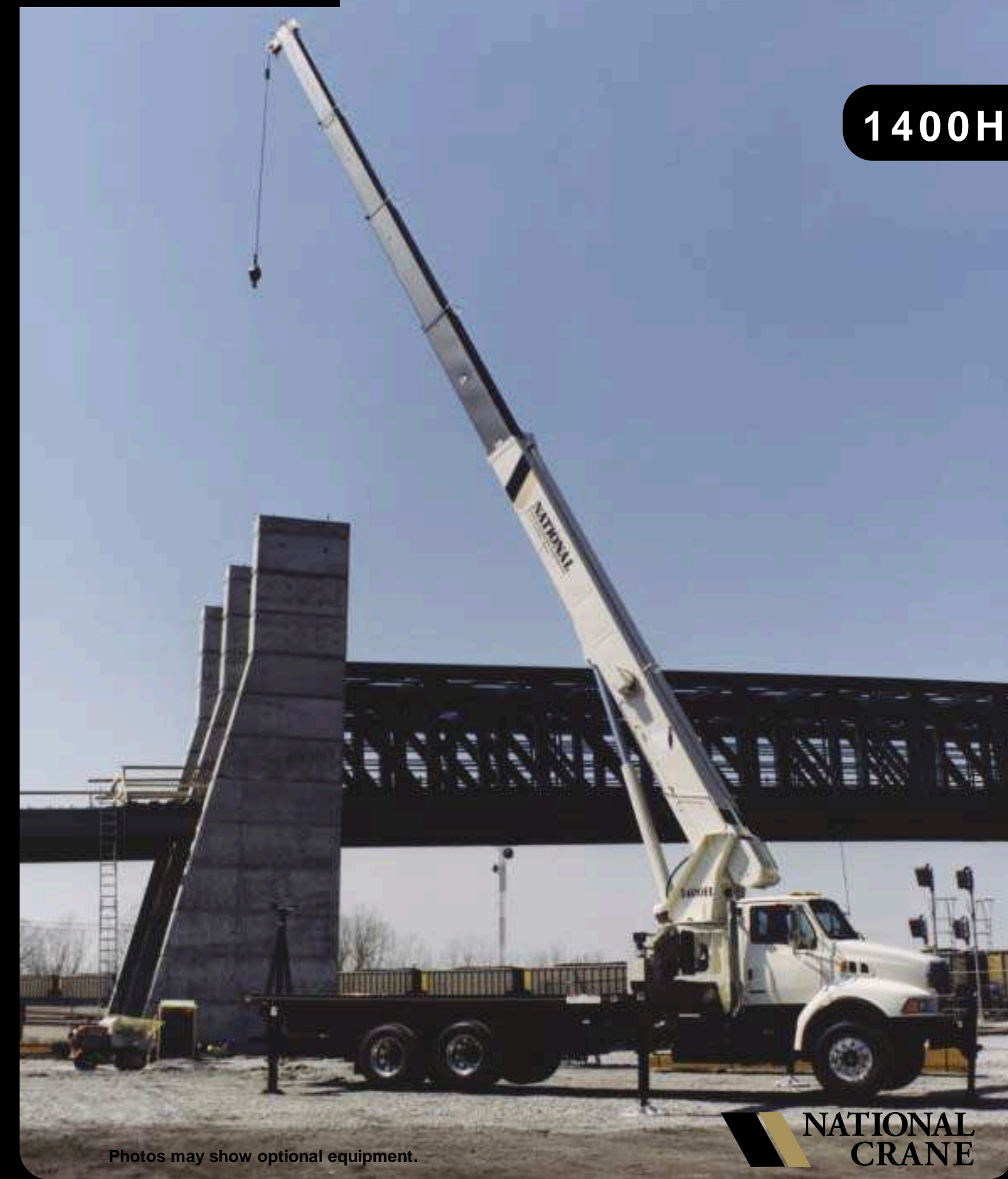
All dimensions are in inches (mm) unless otherwise specified.



## Series 1400H: National Telescoping Crane

America's Leading Manufacturer of Truck-Mounted Hydraulic Cranes.

# 1400H



Photos may show optional equipment.

**NATIONAL CRANE**

**NATIONAL CRANE**

General Offices:  
11200 North 148th Street  
Waverly, NE 68462 USA  
Phone: (402) 786-6300  
FAX: (402) 786-6363  
Email: sales@nationalcrane.com  
Web: www.nationalcrane.com

Your National Dealer:

National Crane is ISO 9001 Certified

National Crane reserves the right to change designs, prices and specifications at any time without notice.  
Printed in U.S.A. Form No. 1400H/1002/5M/AA/JN

