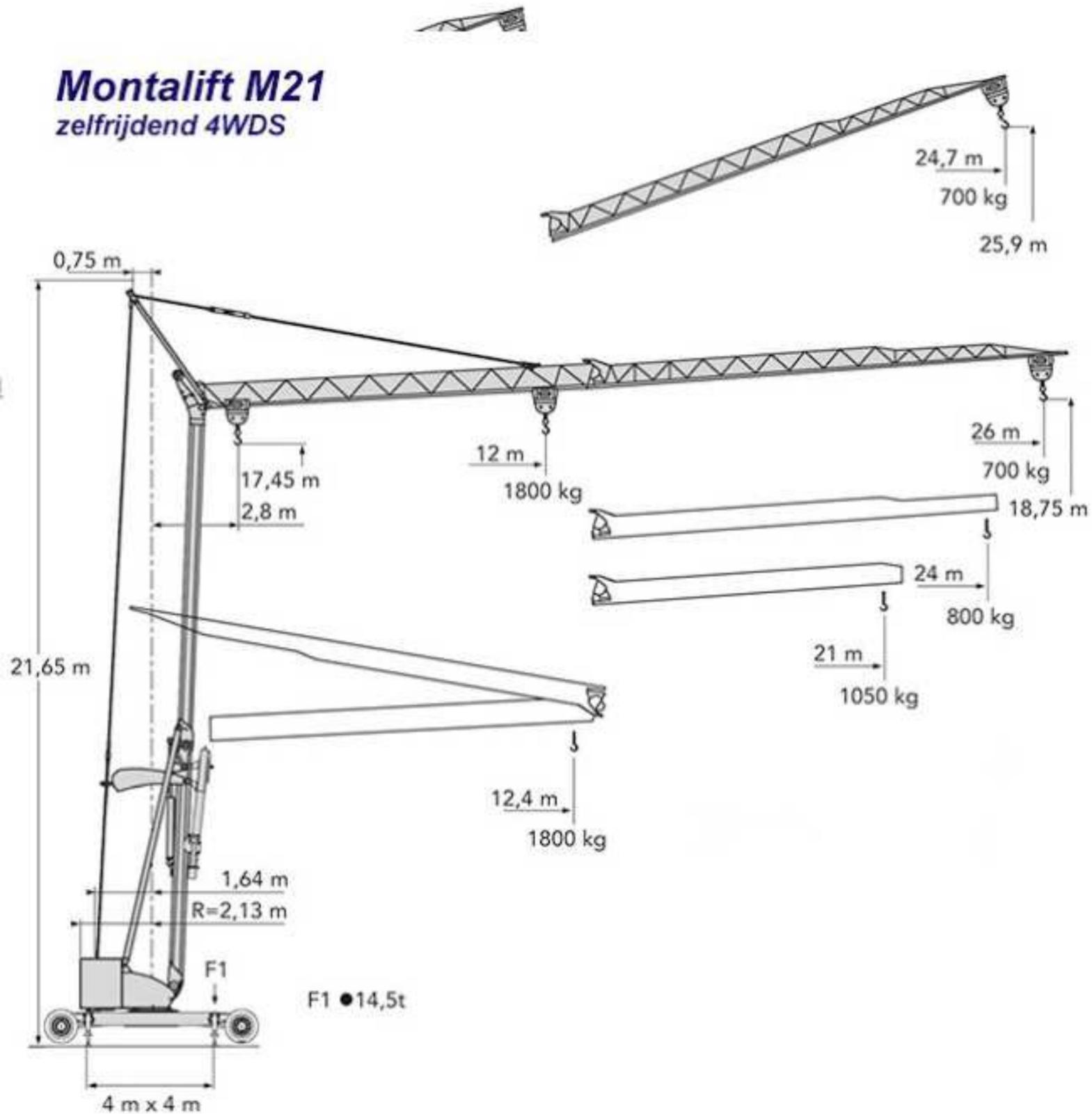


Montalift M21

zelfrijdend 4WDS



| | |
|------------------------------|--------------------|
| Boom length | 26 m |
| Heights | 18.7 m |
| Lifting capacity | 1800 kg |
| At maximum flight | 700 kg |
| Stamp basis (lxb) | 4.0 x 4.0 m |
| Ballastradius | 2.13 m |
| Service | radiographically |
| Undercarriage | self-driving 4-WDS |
| food | 400V-3x25A fused |
| Transport dimensions (lxwxh) | 12.1 x 2.8 x 3.1 m |
| Weight incl. Ballast | 21.4 tons |

Self-propelled undercarriage with

- electromechanical 4-wheel drive with 1 speed
- 2-wheel steering
- built up mobile
- hydraulic stamping
- transport with full steel ballast
- option: generator on the superstructure.