
Load Chart 30102C - w/Out-Down Outriggers

Load Rating Chart

Model 30102C & 30102T

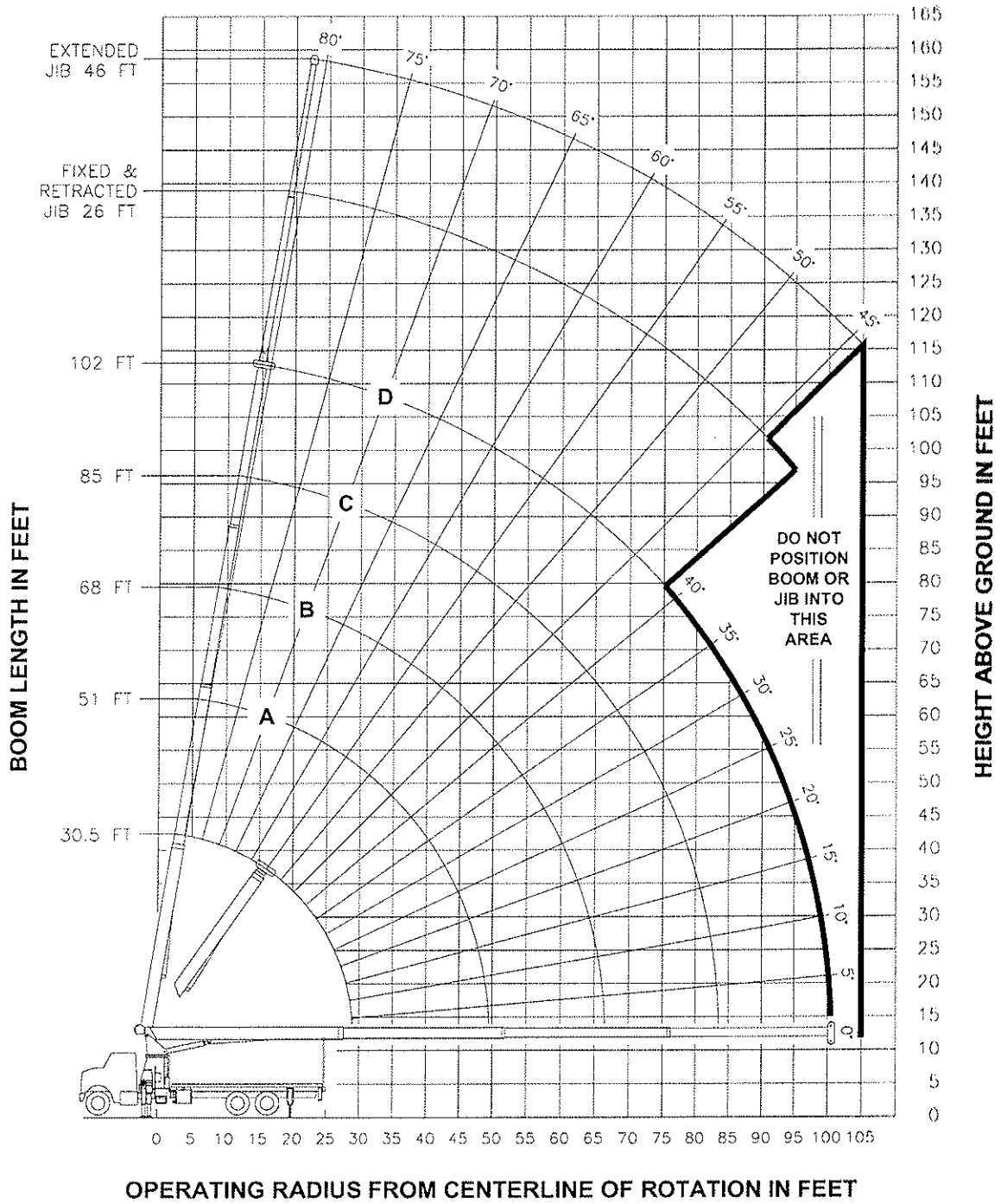


© Manitex

NOTE: Additional copies of this Load Rating Chart can be purchased from your Manitex Distributor. When ordering, use the part number shown in the bottom left corner of this page.

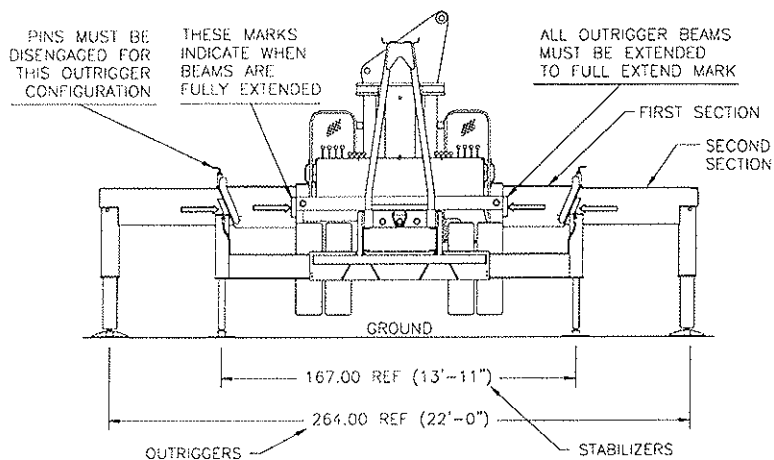
7300096-002 NR

RANGE DIAGRAM - FULL SPREAD CONFIGURATION -



7300096-002 NR

**USE THIS CHART ONLY
WHEN OUTRIGGERS
AND STABILIZERS ARE
FULLY EXTENDED**

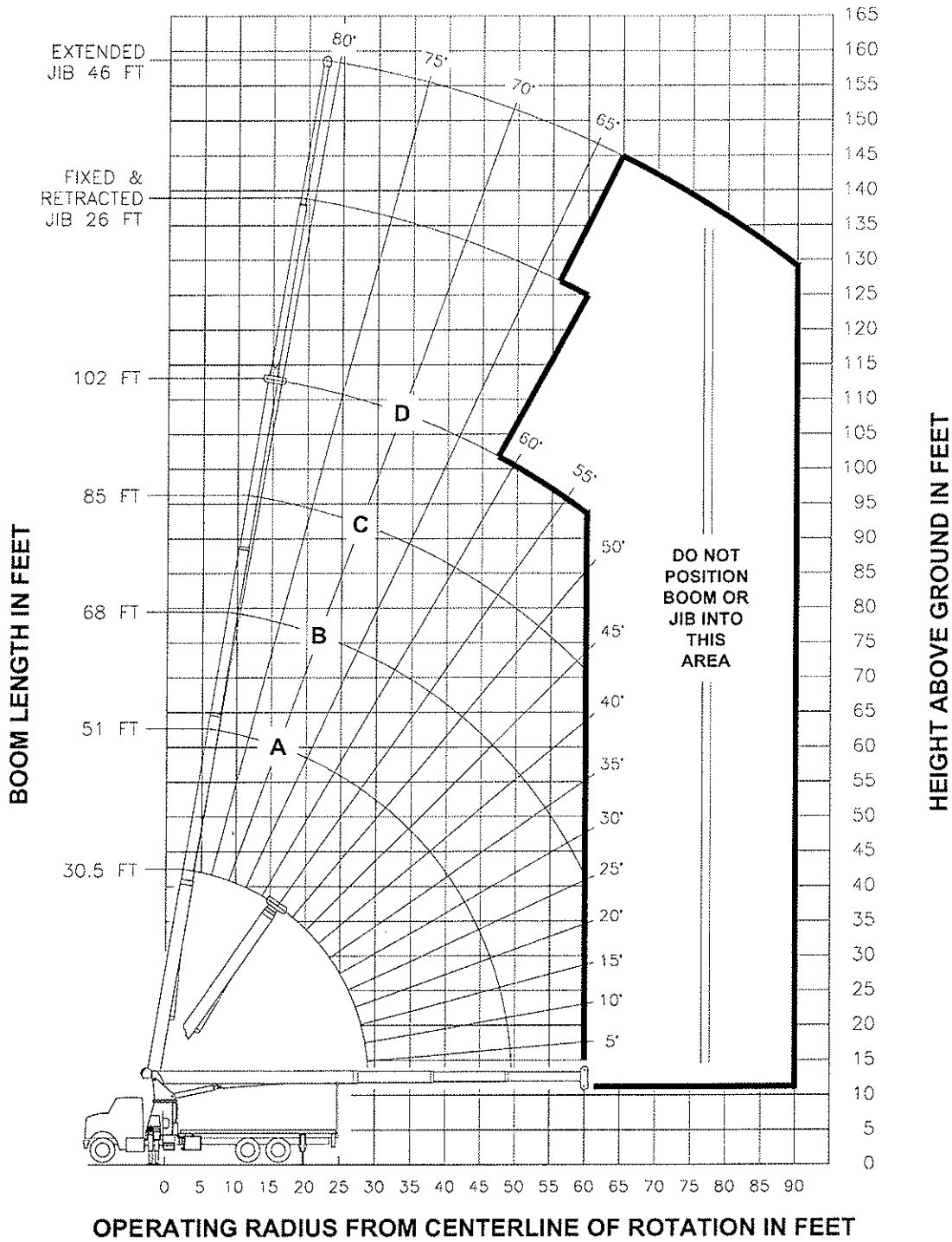


- FULL SPREAD CONFIGURATION -

MAIN BOOM LOAD RATINGS IN LBS WITH OUTRIGGERS AND STABILIZERS PLACED AS SHOWN AND THE CRANE LEVEL					JIB LOAD RATINGS IN LBS WITH OUTRIGGERS AND STABILIZERS PLACED AS SHOWN AND THE CRANE LEVEL					
OPERATING HEIGHT	LMI CODE #1				FIXED JIB		TELESCOPIC JIB			
	LOADED BOOM ANGLE, BOOM LENGTH AND MARKER				LMI CODE #2	LMI CODE #3	LMI CODE #4			
	30.5 FT	51 FT	68 FT	85 FT	26 FT	26 FT	46 FT			
BASE	1ST	2ND	3RD	BOOM ANGLE	BOOM ANGLE	BOOM ANGLE	BOOM ANGLE			
A	B	C	D	SEE WARNING NOTE 4	SEE WARNING NOTE 4	SEE WARNING NOTE 4				
5	80	60000								
8	75	39690								
10	71	33510	79	22500						
12	67	29120	77	22500						
15	60	24440	73	21710	79	20590				
20	48	19280	67	16910	74	15830	78	14420	81	10500
25	33	15480	61	13850	70	12840	75	12180	78	9650
30			54	11700	65	10770	72	10140	76	8670
35			47	9680	60	9240	68	8640	73	7670
40			38	7460	55	7660	64	7490	70	6490
45			27	5880	50	6090	60	6190	66	5590
50					43	4900	56	5010	63	4860
55					36	3980	51	4090	60	4160
60					28	3250	47	3360	56	3420
65					15	2630	41	2760	53	2820
70							36	2260	49	2320
75							29	1830	45	1900
80							19	1460	40	1530
85									36	1220
90									29	940
95									22	690
100										
105										
		490 LBS	290 LBS	220 LBS	180 LBS	150 LBS	DEDUCTIONS FOR STOWED FIXED JIB			
		730 LBS	440 LBS	330 LBS	260 LBS	220 LBS	DEDUCTIONS FOR STOWED TELESCOPIC JIB			

7300096-002 NR

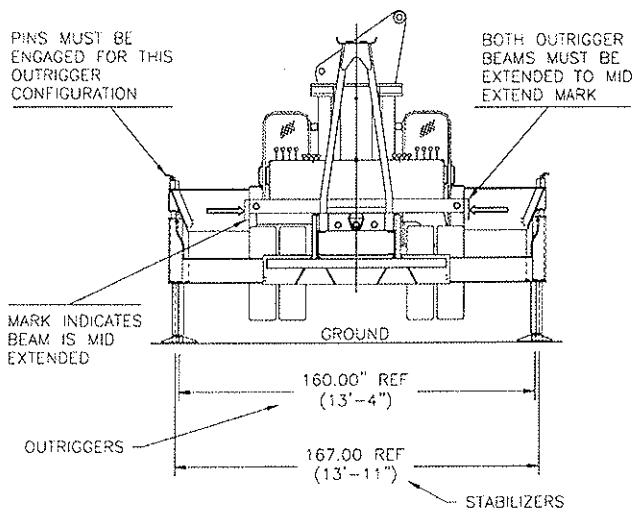
RANGE DIAGRAM - INTERMEDIATE SPREAD CONFIGURATION - (MID EXTEND)



NOTE : LIFTING PERSONNEL WITH CRANE IN THIS OUTRIGGER CONFIGURATION IS STRICTLY PROHIBITED. USE ONLY FULLY EXTENDED OUTRIGGER CONFIGURATION WHEN LIFTING PERSONNEL.

7300096-002 NR

USE THIS CHART ONLY WHEN FRONT OUTRIGGERS ARE IN THE INTERMEDIATE POSITION AND STABILIZERS ARE FULLY EXTENDED

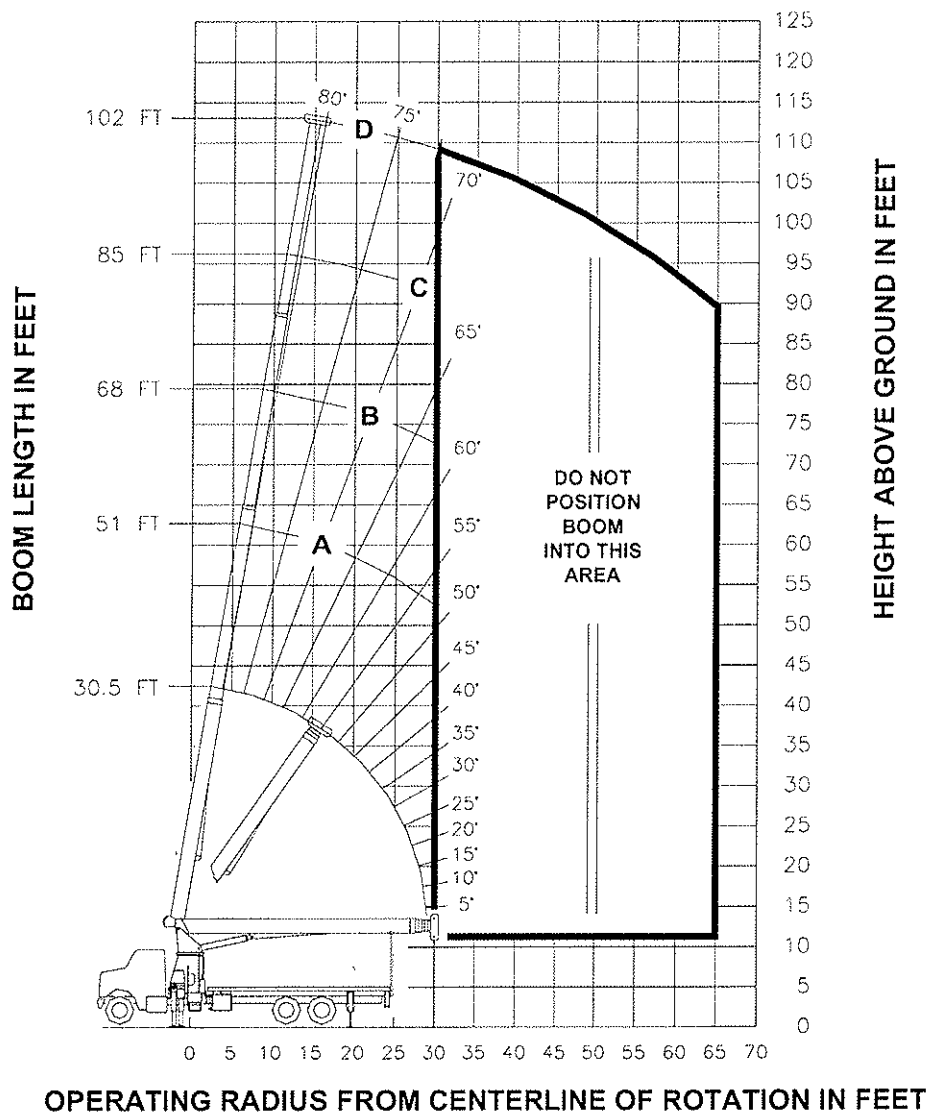


- INTERMEDIATE SPREAD CONFIGURATION - (MID EXTEND)

MAIN BOOM LOAD RATINGS IN LBS WITH OUTRIGGERS AND STABILIZERS PLACED AS SHOWN AND THE CRANE LEVEL										JIB LOAD RATINGS IN LBS WITH OUTRIGGERS AND STABILIZERS PLACED AS SHOWN AND THE CRANE LEVEL							
LMI CODE #9										FIXED JIB		TELESCOPIC JIB					
OPERATING RADIUS	LOADED BOOM ANGLE		BOOM LENGTH AND MARKER		LMI CODE #9					OPERATING RADIUS	BOOM ANGLE	LMI CODE #10		LMI CODE #11		LMI CODE #12	
	BOOM ANGLE	BOOM LENGTH	MARKER	A	B	C	D	BOOM ANGLE	JIB LENGTH FOR ALL BOOM LENGTHS SEE WARNING NOTE 4			BOOM ANGLE	JIB LENGTH FOR ALL BOOM LENGTHS SEE WARNING NOTE 4	BOOM ANGLE	JIB LENGTH FOR ALL BOOM LENGTHS SEE WARNING NOTE 4		
	30.5 FT		51 FT	68 FT	85 FT	102 FT											
5	80	60000															
8	75	39690															
10	71	33510	79	22500													
12	67	29120	77	22500													
15	60	21160	73	21710	79	20590											
20	48	11760	67	12330	74	12520	78	12640	81	10500							
25	33	7460	61	8020	70	8200	75	8300	78	8370	25	81	5300	81	5100		
30			54	5550	65	5720	72	5820	76	5880	30	79	5300	79	5100	81	3050
35			47	3950	60	4120	68	4220	73	4280	35	77	4360	77	4060	79	3050
40			38	2830	55	3000	64	3090	70	3150	40	75	3230	75	2920	77	3050
45			27	1990	50	2170	60	2260	66	2320	45	72	2390	72	2090	76	2590
50					43	1530	56	1620	63	1680	50	70	1750	70	1440	74	1940
55					36	1020	51	1120	60	1170	55	68	1240	68	930	72	1420
60					28	600	47	700	56	760	60	65	830	65	520	70	1000
65											65					68	650
70											70						
	490 LBS	290 LBS	220 LBS	180 LBS	150 LBS	DEDUCTIONS FOR STOWED FIXED JIB											
	730 LBS	440 LBS	330 LBS	260 LBS	220 LBS	DEDUCTIONS FOR STOWED TELESCOPIC JIB											

7300096-002 NR

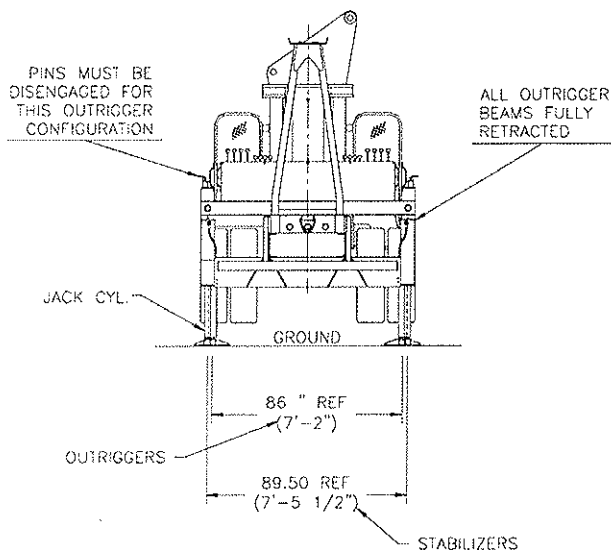
RANGE DIAGRAM - FULLY RETRACTED SPREAD CONFIGURATION -



NOTE : LIFTING PERSONNEL WITH CRANE IN THIS OUTRIGGER CONFIGURATION IS STRICTLY PROHIBITED. USE ONLY FULLY EXTENDED OUTRIGGER CONFIGURATION WHEN LIFTING PERSONNEL.

7300096-002 NR

**USE THIS CHART
ONLY WHEN
OUTRIGGERS AND
STABILIZERS ARE
FULLY RETRACTED**

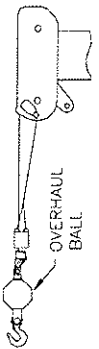
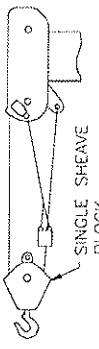
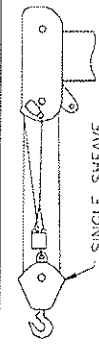
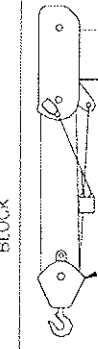
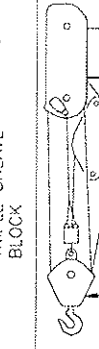
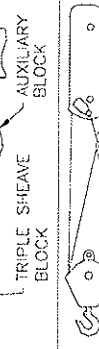



- FULLY RETRACTED SPREAD CONFIGURATION -

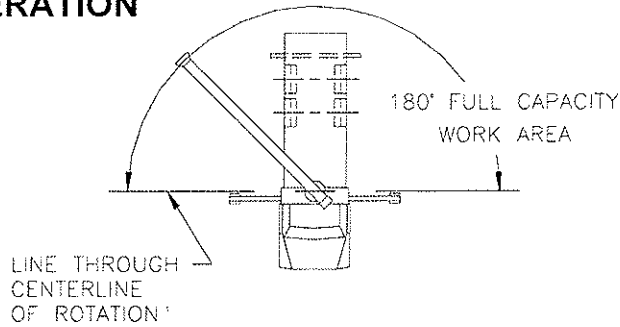
MAIN BOOM LOAD RATINGS IN LBS WITH OUTRIGGERS AND STABILIZERS PLACED AS SHOWN AND THE CRANE LEVEL											
LMI CODE #13											
OPERATING RADIUS	LOADED BOOM ANGLE		BOOM LENGTH AND MARKER								
			A		B		C		D		
	/°	30.5 FT	/°	51 FT	/°	68 FT	/°	85 FT	/°	102 FT	
5	80	60000									
8	75	22630									
10	71	14380	79	14940							
12	67	10060	77	10570							
15	60	6410	73	6890	79	7050					
20	48	3280	67	3740	74	3890	78	3980	81	4040	
25	33	1590	61	2060	70	2210	75	2290	78	2350	
30			54	1010	65	1160	72	1240	76	1300	
		490 LBS		290 LBS		220 LBS		180 LBS		150 LBS	DEDUCTIONS FOR STOWED FIXED JIB
		730 LBS		440 LBS		330 LBS		260 LBS		220 LBS	DEDUCTIONS FOR STOWED TELESCOPIC JIB

**NO JIBS ARE TO
BE ERECTED IN
THIS
OUTRIGGER
CONFIGURATION**

7300096-002 NR

ALLOWABLE LINE PULL							WARNING
1 PART LINE	2 PART LINE	3 PART LINE	4 PART LINE	5 PART LINE	6 PART LINE	7 PART LINE	
							<p>ANTI-TWO-BLOCK SYSTEM MUST BE IN GOOD OPERATING CONDITION BEFORE OPERATING CRANE.</p> <p>REFER TO THE OWNER'S MANUAL.</p> <p>KEEP AT LEAST 3 WRAPS OF LOAD LINE ON THE DRUM AT ALL TIMES.</p>
8500 LBS	17000 LBS	25500 LBS	34000 LBS	42500 LBS	51000 LBS	60000 LBS	9/16" 6X25 IWRC (3.5:1 SF) - 29750 LBS MIN BREAKING STRENGTH
7400 LBS	14800 LBS	22200 LBS	29600 LBS	37000 LBS	44400 LBS	51800 LBS	9/16" ROT RESISTANT (5.0:1 SF) - 37000 LBS MIN BREAKING STRENGTH

AREA OF OPERATION



DEDUCTIONS FROM RATED LOADS FOR LOAD HANDLING DEVICES SUPPLIED BY MANITEX

- AUXILIARY BLOCK ----- 50 LBS
- AUXILIARY SHEAVE ----- 50 LBS
- OVERHAUL BALL ----- SEE OVERHAUL BALL MANUFACTURER NAMEPLATE
- LOAD BLOCK ----- SEE BLOCK MANUFACTURER NAMEPLATE
- HOSE REEL ----- 140 LBS
- SWING AROUND JIB ----- SEE LOAD CHART

7300096-002 NR