



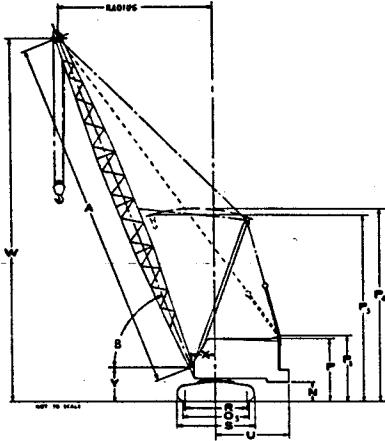
# LS-408 Lifting Crane, Clamshell and Dragline

## Dimensions and Specifications

STANDARD LOWER 9'4" GAUGE X 16'11" LONG OVER-ALL



These specifications comply with the recommended Commercial Standard CS90-58, developed under the National Bureau of Standards and issued by the United States Department of Commerce.



DIMENSIONS		
Basic angle or tubular "Hi-Lite" boom length	A	50' 0"
Boom angle	B	
Ground clearance under counterweight "AB"	N	3' 6"
Crawler ground bearing length	O5	14' 10"
Over-all cab height	P	12' 5"
Over-all gantry height	P1	13' 0"
Over-all height boom gantry vertical	P4	39' 1"
Over-all height boom gantry with 50' boom horizontal	P5	23' 7"
Center to center of wheels	R	13' 8"
Over-all crawler length	S	16' 11"
Tailswing of counterweight "AB"	U	14' 7"
Radius of boom hinge pin	X	4' 7"
Height of boom hinge pin	Y	6' 9"

### BRIEF SPECIFICATIONS

#### LIFTING CRANE:

Approximate working weight with 28" wide track shoes, low gantry, counterweight "AB", but no hook block:	
with 50' angle boom	128,850 lbs.
with 50' tubular "Hi-Lite" boom	128,230 lbs.
Swing speed	2.90 r.p.m.
Lagging	Line Pull
24 3/4" hoist (front)	37,600 lbs. @ 148 f.p.m.
24 3/4" hoist (rear)	36,500 lbs. @ 148 f.p.m.

#### CRAWLER:

28" wide track shoes standard. 32" wide track shoes optional at extra cost. Travel speed .98 m.p.h. Independent travel with choice of travel speed is optional at extra cost.

#### CLAMSHELL:

Approximate working weight with 50' angle boom, 28" wide track shoes, low gantry, counterweight "AB", but no bucket	128,550 lbs.
Swing speed	2.90 r.p.m.
Lagging	Line Pull
27" closing (front)	33,900 lbs. @ 164 f.p.m.
27" holding (rear)	32,800 lbs. @ 164 f.p.m.

#### DRAGLINE:

Approximate working weight with 50' angle boom, 28" wide track shoes, low gantry, counterweight "AB", but no bucket	129,880 lbs.
Swing speed	2.90 r.p.m.
Lagging	Line Pull
24 3/4" inhaul (front)	37,600 lbs. @ 148 f.p.m.
27" hoist (rear)	32,800 lbs. @ 164 f.p.m.

### GENERAL INFORMATION ONLY

MAXIMUM BOOM LENGTHS MACHINE WILL HANDLE WITHOUT ASSISTANCE <sup>Ⓢ</sup>	ANGLE BOOM	"HI-LITE" BOOM
Machine will pick off ground over ends	130'	150'
Machine will pick off ground over sides	120'	140'
Machine will pick off ground over ends	110' + 20' jib	120' + 30' jib
Machine will pick off ground over ends	100' + 40' jib	110' + 60' jib
Machine will pick off ground over sides	100' + 40' jib	110' + 30' jib
Machine will pick off ground over sides		100' + 60' jib

<sup>Ⓢ</sup> Equipped with counterweight "AB", boom gantry and 1 1/4" diameter extender cables. If 1 1/2" diameter extender cables are used on machine equipped with boom gantry, a decreased maximum boom length may be necessary due to increased weight.

### WEIGHT DEDUCTIONS FOR TRANSPORTING

Both side frames with standard 28" wide track shoes	30,700 lbs.
Both side frames with optional 32" wide track shoes	32,100 lbs.
Counterweight "A"	10,000 lbs.
Counterweight "AB"	21,200 lbs.
50' angle lifting crane boom and extender cables	6,470 lbs.
50' "Hi-Lite" lifting crane boom and extender cables	5,200 lbs.
50' angle clamshell or dragline boom and extender cables	6,190 lbs.
Hoe attachment and standard bucket	23,230 lbs.
Shovel attachment and standard dipper	28,550 lbs.

NOTE: See price list for weights of other optional components.

We are constantly improving our products and therefore reserve the right to change designs and specifications.

For Certified Dimensions, Consult Factory

## LINK-BELT SPEEDER

Link-Belt Speeder  
Cedar Rapids, Iowa

Link-Belt Speeder (Canada), Ltd.  
Woodstock, Ontario

Courtesy of Crane Market



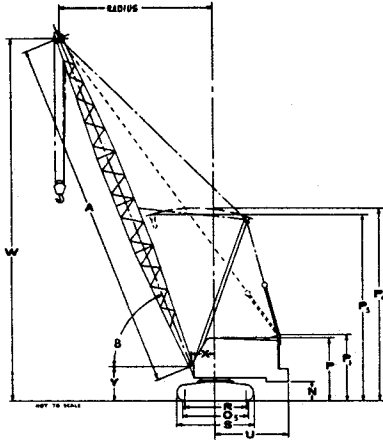
# LS-408 Lifting Crane, Clamshell and Dragline

## Dimensions and Specifications

STANDARD LOWER 9'4" GAUGE X 16'11" LONG OVER-ALL



These specifications comply with the recommended Commercial Standard CS90-58, developed under the National Bureau of Standards and issued by the United States Department of Commerce.



DIMENSIONS		
Basic angle or tubular "Hi-Lite" boom length	A	50' 0"
Boom angle	B	
Ground clearance under counterweight "AB"	N	3' 6"
Crawler ground bearing length	O5	14'10"
Over-all cab height	P	12' 5"
Over-all gantry height	P1	13' 0"
Over-all height boom gantry vertical	P4	39' 1"
Over-all height boom gantry with 50' boom horizontal	P5	23' 7"
Center to center of wheels	R	13' 8"
Over-all crawler length	S	16'11"
Tailswing of counterweight "AB"	U	14' 7"
Radius of boom hinge pin	X	4' 7"
Height of boom hinge pin	Y	6' 9"

### GENERAL INFORMATION ONLY

### BRIEF SPECIFICATIONS

#### LIFTING CRANE:

Approximate working weight with 28" wide track shoes, low gantry, counterweight "AB", but no hook block:

with 50' angle boom	128,850 lbs.
with 50' tubular "Hi-Lite" boom	128,230 lbs.

Swing speed ..... 2.90 r.p.m.

Lagging	Line Pull	Line Speed
24 3/8" hoist (front)	37,600 lbs.	@ 148 f.p.m.
24 3/8" hoist (rear)	36,500 lbs.	@ 148 f.p.m.

#### CRAWLER:

28" wide track shoes standard. 32" wide track shoes optional at extra cost. Travel speed .98 m.p.h. Independent travel with choice of travel speed is optional at extra cost.

#### CLAMSHELL:

Approximate working weight with 50' angle boom, 28" wide track shoes, low gantry, counterweight "AB", but no bucket ..... 128,550 lbs.

Swing speed ..... 2.90 r.p.m.

Lagging	Line Pull	Line Speed
27" closing (front)	33,900 lbs.	@ 164 f.p.m.
27" holding (rear)	32,800 lbs.	@ 164 f.p.m.

#### DRAGLINE:

Approximate working weight with 50' angle boom, 28" wide track shoes, low gantry, counterweight "AB", but no bucket ..... 129,880 lbs.

Swing speed ..... 2.90 r.p.m.

Lagging	Line Pull	Line Speed
24 3/8" inhaul (front)	37,600 lbs.	@ 148 f.p.m.
27" hoist (rear)	32,800 lbs.	@ 164 f.p.m.

MAXIMUM BOOM LENGTHS MACHINE WILL HANDLE WITHOUT ASSISTANCE <sup>Ⓢ</sup>	ANGLE BOOM	"HI-LITE" BOOM
Machine will pick off ground over ends	130'	150'
Machine will pick off ground over sides	120'	140'
Machine will pick off ground over ends	110' + 20' jib	120' + 30' jib
Machine will pick off ground over ends	100' + 40' jib	110' + 60' jib
Machine will pick off ground over sides	100' + 40' jib	110' + 30' jib
Machine will pick off ground over sides		100' + 60' jib

<sup>Ⓢ</sup> Equipped with counterweight "AB", boom gantry and 1 1/2" diameter extender cables. If 1 1/2" diameter extender cables are used on machine equipped with boom gantry, a decreased maximum boom length may be necessary due to increased weight.

### WEIGHT DEDUCTIONS FOR TRANSPORTING

Both side frames with standard 28" wide track shoes	30,700 lbs.
Both side frames with optional 32" wide track shoes	32,100 lbs.
Counterweight "A"	10,000 lbs.
Counterweight "AB"	21,200 lbs.
50' angle lifting crane boom and extender cables	6,470 lbs.
50' "Hi-Lite" lifting crane boom and extender cables	5,200 lbs.
50' angle clamshell or dragline boom and extender cables	6,190 lbs.
Hoe attachment and standard bucket	23,230 lbs.
Shovel attachment and standard dipper	28,550 lbs.

NOTE: See price list for weights of other optional components.

We are constantly improving our products and therefore reserve the right to change designs and specifications.

For Certified Dimensions, Consult Factory

# LINK-BELT SPEEDER

Link-Belt Speeder  
Cedar Rapids, Iowa

Link-Belt Speeder (Canada), Ltd.  
Woodstock, Ontario

Courtesy of Crane Market



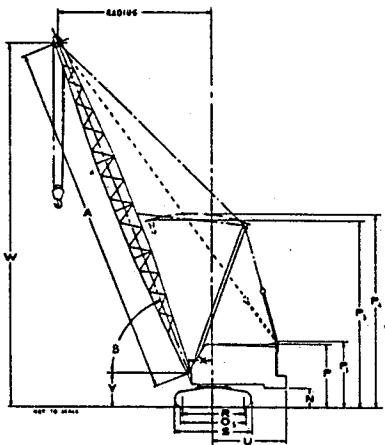
# LS-408 Lifting Crane, Clamshell and Dragline

## Dimensions and Specifications

STANDARD LOWER 9'4" GAUGE X 16'11" LONG OVER-ALL



These specifications comply with the recommended Commercial Standard C590-58, developed under the National Bureau of Standards and issued by the United States Department of Commerce.



GENERAL INFORMATION ONLY

DIMENSIONS		
Basic angle or tubular "Hi-Lite" boom length	A	50' 0"
Boom angle	B	
Ground clearance under counterweight "AB"	N	3' 6"
Crawler ground bearing length	O5	14'10"
Over-all cab height	P	12' 5"
Over-all gantry height	PI	13' 0"
Over-all height boom gantry vertical	P4	38' 1"
Over-all height boom gantry with boom horizontal	P5	29' 1"
Center to center of wheels	R	13' 8"
Over-all crawler length	S	16'11"
Tailswing of counterweight "AB"	U	14' 7"
Radius of boom hinge pin	X	4' 7"
Height of boom hinge pin	Y	6' 9"

### BRIEF SPECIFICATIONS

### GENERAL INFORMATION ONLY

#### LIFTING CRANE:

Approximate working weight with 28" wide track shoes, low gantry, counterweight "AB" but no hook block:  
 with 50' angle boom ..... 129,340 lbs.  
 with 50' tubular "Hi-Lite" boom ..... 127,590 lbs.  
 Towing speed ..... 3.09 r.p.m.  
 Lagging ..... Line Pull ..... Line Speed  
 24 1/4" hoist (front) ..... 35,700 lbs. @ 147 f.p.m.  
 24 1/4" hoist (rear) ..... 34,600 lbs. @ 147 f.p.m.

#### CRAWLER:

28" wide track shoes standard. 32" wide track shoes optional at extra cost.  
 Travel speed .97 m.p.h. Independent travel optional at extra cost.

#### CLAMSHELL:

Approximate working weight with 50' angle boom, 28" wide track shoes, low gantry, counterweight "AB", but no bucket ..... 127,010 lbs.  
 Swing speed ..... 3.09 r.p.m.  
 Lagging ..... Line Pull ..... Line Speed  
 27" closing (front) ..... 32,200 lbs. @ 163 f.p.m.  
 27" holding (rear) ..... 31,200 lbs. @ 163 f.p.m.

#### DRAGLINE:

Approximate working weight with 50' angle boom, 28" wide track shoes, low gantry, counterweight "AB", but no bucket ..... 129,130 lbs.  
 Swing speed ..... 3.09 r.p.m.  
 Lagging ..... Line Pull ..... Line Speed  
 24 1/4" inhaul (front) ..... 35,700 lbs. @ 147 f.p.m.  
 27" hoist (rear) ..... 31,200 lbs. @ 163 f.p.m.

MAXIMUM BOOM LENGTHS MACHINE WILL HANDLE WITHOUT ASSISTANCE <sup>①</sup>	ANGLE BOOM	"HI-LITE" BOOM
Machine will pick off ground over ends	130'	150'
Machine will pick off ground over sides	120'	140'
Machine will pick off ground over ends	110' + 20' jib	120' + 30' jib
Machine will pick off ground over ends	100' + 40' jib	110' + 60' jib
Machine will pick off ground over sides	100' + 40' jib	110' + 30' jib
Machine will pick off ground over sides		100' + 60' jib

<sup>①</sup> Equipped with counterweight "AB", boom gantry and 1 1/4" diameter extender cables. If 1 1/2" diameter extender cables are used on machine equipped with boom gantry, a decreased maximum boom length may be necessary due to increased weight.

### WEIGHT DEDUCTIONS FOR TRANSPORTING

Both side frames with standard 28" wide track shoes	30,700 lbs.
Both side frames with optional 32" wide track shoes	32,100 lbs.
Counterweight "A"	10,000 lbs.
Counterweight "AB"	21,200 lbs.
50' angle lifting crane boom and extender cables	6,470 lbs.
50' "Hi-Lite" lifting crane boom and extender cables	5,200 lbs.
50' angle clamshell or dragline boom and extender cables	6,190 lbs.
Hoe attachment and standard bucket	23,230 lbs.
Shovel attachment and standard dipper	28,550 lbs.

NOTE: See price list for weights of other optional components.

We are constantly improving our products and therefore reserve the right to change designs and specifications.

For Certified Dimensions, Consult Factory

# LINK-BELT SPEEDER

A

Link-Belt Speeder  
Cedar Rapids, Iowa

Link-Belt Speeder (Canada), Ltd.  
Woodstock, Ontario

Courtesy of Crane Market

# LS-408 Lifting Capacities<sup>①</sup> With Angle Boom

STANDARD LOWER 9'4" GAUGE X 16'11" LONG OVER-ALL  
FOR DRAGLINE, CLAMHELL AND MAGNET CAPACITIES SEE NOTE ①

Boom Length	Boom Radius	Boom Angle	W Boom Point Height	With Cwt. "AB"
50'	12'	82°	56' 2"	106,220
	15'	78°	55' 8"	73,200
	20'	72°	54' 4"	47,510
	25'	66°	52' 5"	34,670
	30'	59°	49' 10"	26,960
	35'	53°	46' 5"	21,820
	40'	45°	42' 1"	18,150
	50'	25°	27' 8"	13,260
60'	15'	80°	65' 10"	72,950
	20'	75°	64' 9"	47,250
	25'	70°	63' 2"	34,410
	30'	65°	61' 1"	26,700
	35'	60°	58' 6"	21,560
	40'	54°	55' 2"	17,890
	60'	23°	29' 9"	9,880
70'	15'	82°	76' 0"	72,690
	20'	77°	75' 0"	47,000
	25'	73°	73' 8"	34,150
	30'	68°	71' 11"	26,440
	35'	64°	69' 9"	21,300
	40'	60°	67' 1"	17,630
	50'	50°	60' 0"	12,740
	60'	38°	49' 6"	9,620
	70'	21°	31' 8"	7,470
80'	20'	79°	85' 3"	46,740
	25'	75°	84' 1"	33,890
	30'	72°	82' 7"	26,180
	35'	68°	80' 9"	21,040
	40'	64°	78' 6"	17,370
	50'	55°	72' 7"	12,480
	60'	46°	64' 5"	9,360
	70'	35°	52' 9"	7,210
	80'	20°	33' 5"	5,630
90'	20'	80°	95' 5"	46,490
	25'	77°	94' 5"	33,640
	30'	74°	93' 1"	25,930
	35'	70°	91' 5"	20,790
	40'	67°	89' 6"	17,110
	50'	60°	84' 5"	12,220
	60'	52°	77' 8"	9,100
	70'	43°	68' 7"	6,950
	80'	33°	55' 10"	5,360
	90'	18°	35' 1"	4,150

Boom Length	Boom Radius	Boom Angle	W Boom Point Height	With Cwt. "AB"
100' ②	20'	81°	105' 7"	46,230
	25'	78°	104' 8"	33,380
	30'	75°	103' 6"	25,670
	35'	72°	102' 0"	20,530
	40'	69°	100' 3"	16,850
	50'	63°	95' 10"	11,960
	60'	56°	90' 0"	8,840
	70'	49°	82' 4"	6,680
	80'	41°	72' 5"	5,100
	100'	17°	36' 8"	2,940
110' ②	25'	79°	114' 10"	33,120
	30'	77°	113' 9"	25,410
	35'	74°	112' 5"	20,270
	40'	71°	110' 11"	16,600
	50'	65°	106' 11"	11,700
	60'	60°	101' 9"	8,580
	70'	54°	95' 2"	6,420
	80'	47°	86' 10"	4,840
	90'	39°	76' 1"	3,630
	110'	17°	38' 2"	1,900
120' ② ③	25'	80°	125' 0"	32,870
	30'	78°	124' 0"	25,150
	35'	75°	122' 10"	20,010
	40'	73°	121' 5"	16,340
	50'	68°	117' 10"	11,440
	60'	63°	113' 2"	8,320
	70'	57°	107' 4"	6,160
	80'	51°	100' 1"	4,580
	90'	45°	91' 0"	3,370
	120'	16°	39' 7"	1,000
130' ② ③	25'	81°	135' 2"	32,610
	30'	79°	134' 3"	24,890
	35'	77°	133' 2"	19,750
	40'	74°	131' 10"	16,080
	50'	70°	128' 7"	11,180
	60'	65°	124' 4"	8,060
	70'	60°	119' 1"	5,900
	80'	55°	112' 8"	4,320
	90'	49°	104' 9"	3,110
	130'	36°	82' 10"	1,380

① Lifting capacities shown are in pounds and are not more than 75% of the minimum tipping loads with machine standing on firm level ground. A deduction must be made from the lifting capacities shown for weight of hook, hook block, sling, grapple, etc. Lifting capacities shown are based on machine equipped with boom gantry and 1/4" diameter extender cables or on machine equipped with no boom gantry and 1/2" diameter extender cables. For machine equipped with boom gantry and optional 1/2" diameter extender cables, a deduction of 300 pounds must be made from the lifting capacities shown. 1/4" diameter extender cables may not be used on machine unless it is equipped with boom gantry.

② Lifting crane service only.

③ Boom-gantry required for all angle boom lengths over 110'. See Note ②.

NOTE: Four parts hoist line 1" cable or six parts hoist line 3/4" cable or eight parts hoist line 5/8" cable required for maximum lifts.

① For normal dragline work, the capacities shown in the column headed "With Cwt. AB" apply. For clamshell, lifting magnet and similar work, where the outward force of the load in rotation adds to the load imposed on the machine, the capacities shown in the column headed "With Cwt. AB" apply only after these capacities have first been reduced by at least 10%. Weight of bucket or magnet plus load also may not exceed the following maximum ratings: Dragline—16,000 lbs.; clamshell-magnet—19,000 lbs. These are values for normal conditions and exceptions may be made for above average conditions. However, allowances must be made for soft or uneven footing, bucket suction and other unfavorable conditions. Boom length for average dragline, clamshell, lifting magnet or similar work should not exceed 90 feet. Dragline operation with boom angle less than 35° is seldom advisable.

③ Boom gantry required for all tubular "Hi-Lite" boom lengths over 120 feet. See Note ②.

④ When using the boom gantry as a short boom for dismantling operations, maximum lifting capacity of the gantry is 47,000 pounds at 13 foot radius.

GENERAL INFORMATION ONLY

# LS-408 Lifting Capacities<sup>①</sup> With Tubular "Hi-Lite" Boom

STANDARD LOWER 9'4" GAUGE X 16'11" LONG OVER-ALL  
FOR DRAGLINE, CLAMSHELL AND MAGNET CAPACITIES SEE NOTE ④

Boom Length	Boom Radius	Boom Angle	W Boom Point Height	With Cwt. "AB"
50'	12'	82°	56' 2"	106,580
	15'	78°	55' 8"	73,560
	20'	72°	54' 4"	47,870
	25'	66°	52' 5"	35,030
	30'	59°	49' 10"	27,330
	35'	53°	46' 5"	22,190
	40'	45°	42' 1"	18,520
	50'	25°	27' 8"	13,630
60'	15'	80°	65' 10"	73,380
	20'	75°	64' 9"	47,690
	25'	70°	63' 2"	34,850
	30'	65°	61' 1"	27,140
	35'	60°	58' 6"	22,010
	40'	54°	55' 2"	18,340
	50'	41°	45' 11"	13,440
	60'	23°	29' 9"	10,330
70'	15'	82°	76' 0"	73,200
	20'	77°	75' 0"	47,510
	25'	73°	73' 8"	34,670
	30'	68°	71' 11"	26,960
	35'	64°	69' 9"	21,820
	40'	60°	67' 1"	18,150
	50'	50°	60' 0"	13,260
	60'	38°	49' 6"	10,140
	70'	21°	31' 8"	7,990
80'	20'	79°	85' 3"	47,330
	25'	75°	84' 1"	34,480
	30'	72°	82' 7"	26,770
	35'	68°	80' 9"	21,640
	40'	64°	78' 6"	17,970
	50'	55°	72' 7"	13,070
	60'	46°	64' 5"	9,960
	70'	35°	52' 9"	7,800
	80'	20°	33' 5"	6,220
90'	20'	80°	95' 5"	47,140
	25'	77°	94' 5"	34,300
	30'	74°	93' 1"	26,590
	35'	70°	91' 5"	21,450
	40'	67°	89' 6"	17,780
	50'	60°	84' 5"	12,890
	60'	52°	77' 8"	9,770
	70'	43°	68' 7"	7,620
	80'	33°	55' 10"	6,040
	90'	18°	35' 1"	4,830
100' ②	20'	81°	105' 7"	46,960
	25'	78°	104' 8"	34,110
	30'	75°	103' 6"	26,410
	35'	72°	102' 0"	21,270
	40'	69°	100' 3"	17,600
	50'	63°	95' 10"	12,700
	60'	56°	90' 0"	9,590
	70'	49°	82' 4"	7,430
	80'	41°	72' 5"	5,850
	90'	31°	58' 9"	4,640
	100'	17°	36' 8"	3,680

Boom Length	Boom Radius	Boom Angle	W Boom Point Height	With Cwt. "AB"
110' ②	25'	79°	114' 10"	33,930
	30'	77°	113' 9"	26,220
	35'	74°	112' 5"	21,080
	40'	71°	110' 11"	17,410
	50'	65°	106' 11"	12,520
	60'	60°	101' 9"	9,400
	70'	54°	95' 2"	7,240
	80'	47°	86' 10"	5,660
	90'	39°	76' 1"	4,450
		100'	30°	61' 6"
	110'	17°	38' 2"	2,720
120' ②	25'	80°	125' 0"	33,750
	30'	78°	124' 0"	26,040
	35'	75°	122' 10"	20,900
	40'	73°	121' 5"	17,220
	50'	68°	117' 10"	12,330
	60'	63°	113' 2"	9,210
	70'	57°	107' 4"	7,060
	80'	51°	100' 1"	5,480
	90'	45°	91' 0"	4,270
		100'	37°	79' 6"
	110'	29°	64' 1"	2,540
	120'	16°	39' 7"	1,900
130' ② ⑤	25'	81°	135' 2"	33,560
	30'	79°	134' 3"	25,850
	35'	77°	133' 2"	20,710
	40'	74°	131' 10"	17,040
	50'	70°	128' 7"	12,140
	60'	65°	124' 4"	9,030
	70'	60°	119' 1"	6,870
	80'	55°	112' 8"	5,290
	90'	49°	104' 9"	4,080
		100'	43°	95' 0"
	110'	36°	82' 10"	2,350
	120'	27°	66' 7"	1,710
	130'	15°	41' 0"	1,180
140' ② ⑤	30'	80°	144' 7"	25,670
	35'	77°	143' 5"	20,530
	40'	75°	142' 3"	16,850
	50'	71°	137' 4"	11,960
	60'	67°	135' 4"	8,840
	70'	62°	130' 6"	6,680
	80'	57°	124' 8"	5,100
	90'	52°	117' 8"	3,890
	100'	47°	109' 2"	2,940
		110'	41°	98' 11"
	120'	35°	86' 0"	1,530
	130'	26°	68' 11"	990
150' ② ⑤	30'	80°	154' 7"	25,480
	35'	78°	153' 8"	20,340
	40'	76°	152' 6"	16,670
	50'	72°	149' 9"	11,770
	60'	68°	146' 2"	8,660
	70'	64°	141' 9"	6,500
	80'	60°	136' 5"	4,920
	90'	55°	130' 1"	3,710
	100'	51°	122' 6"	2,750
		110'	45°	113' 6"
	120'	40°	102' 7"	1,340

GENERAL INFORMATION ONLY