

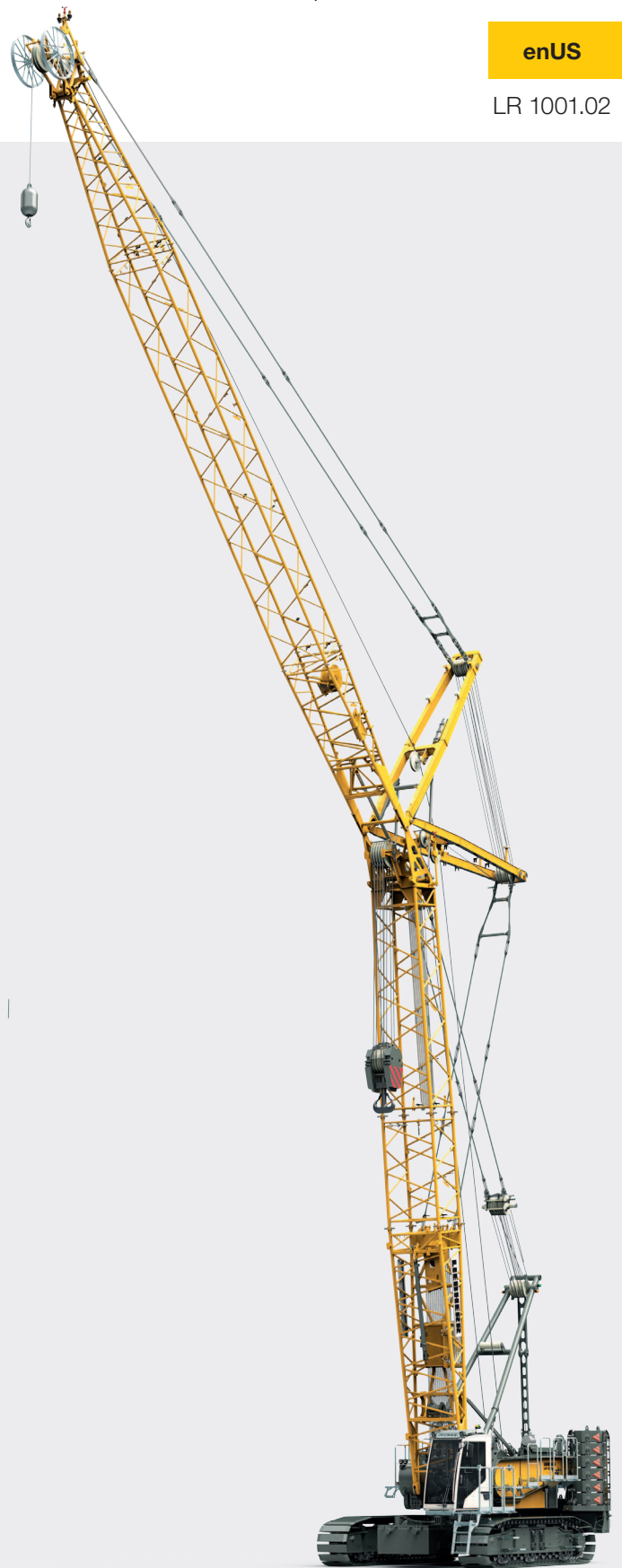
Hydraulic lift crane

LR 1110
Litronic®

Complies with ANSI/ASME B 30.5

enUS

LR 1001.02



LIEBHERR

Courtesy of Crane.Market

Concept and characteristics



LR 1110 Standard

- Excellent lifting capacities thanks to optimized distribution of forces
- New cabin with improved and ergonomic operating concept
- Convenient ladder to access the cabin
- Optimized air-conditioning and airflow in the cabin
- Catwalks and optional railings on uppercarriage and cabin
- Transport possible with mounted boom foot and crawlers
- Foldable catwalks remain with the machine during transportation
- Optional railings can be disassembled in a few steps using pin connections

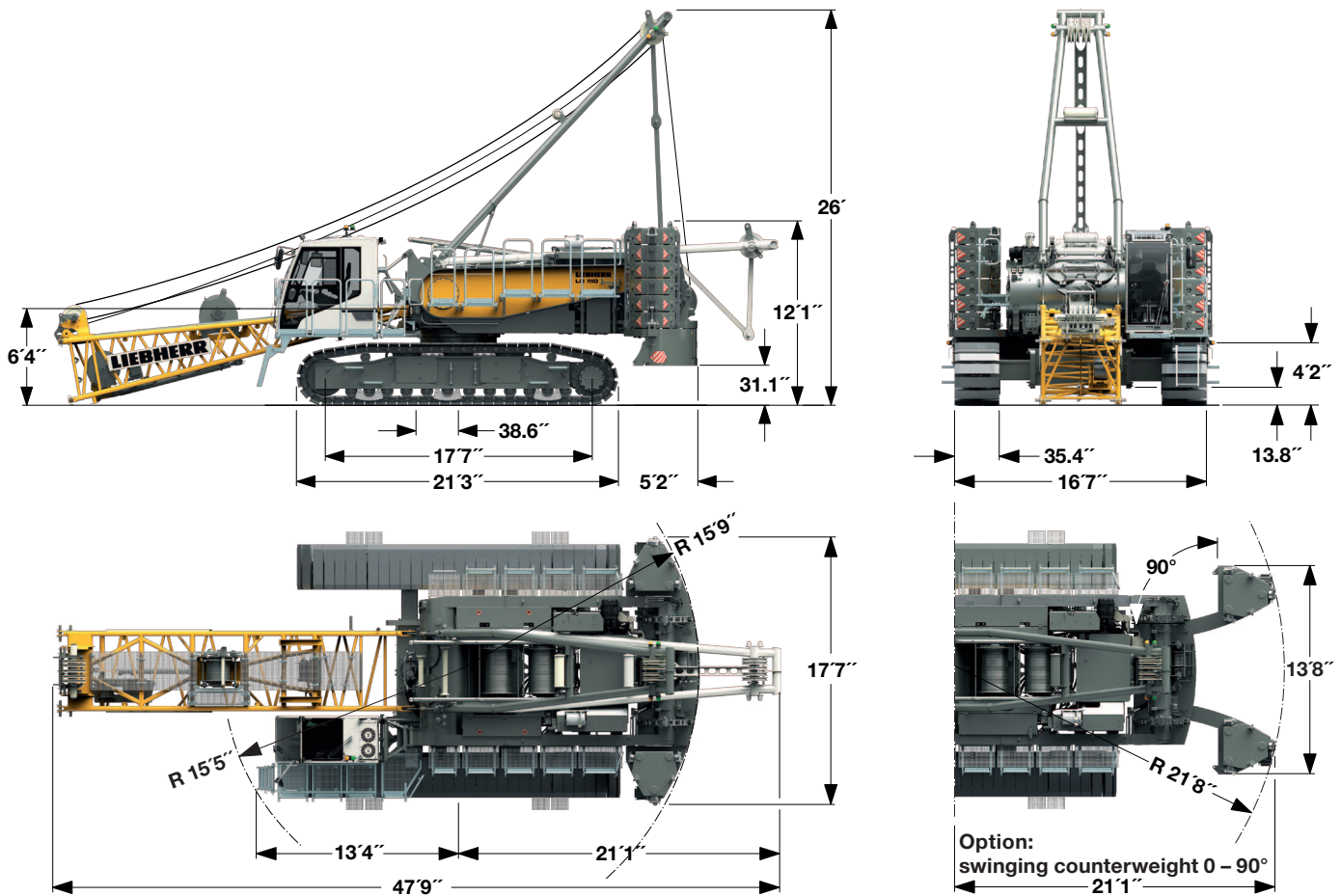


Option: LR 1110 with swinging counterweight

- Up to 20% increase in lifting capacities where tilting is the limiting factor
- Larger radii thanks to improved stability
- Function of swinging counterweight: the rear counterweight splits in the centre and is swung backwards to a max. angle of 90°. The counterweight can adopt any position within this angle range. The optimized lifting capacities are calculated online in real time via the LMI system and displayed in the operator's cab.
- Easy and quick adaptation of the counterweight to the lifting requirements
- Swinging counterweight requires less counterweight – swinging back leads to improved ground pressure and similar lifting capacities to those with full counterweight in standard position can be achieved.
- Swinging the counterweight back makes the machine narrower – this allows the machine to pass through narrow spaces.
- For increased lifting capacities the swinging counterweight can also be added to other LR 1110 with standard counterweight

Dimensions

Basic machine with undercarriage



Operating weight

The operating weight includes the basic machine with crawlers, 2 main winches 26,980 lbf and 46 ft main boom, consisting of A-frame, boom foot (23 ft), boom head (23 ft), 74,960 lbs basic counterweight, 44,100 lbs carbody counterweight and 220,460 lbs hook block.

Total weight _____ approx. 254,855 lbs

Ground pressure

The actual ground pressure is calculated according to the configuration and position of the machine and displayed in the operator's cab.

Using the optional Liebherr Crane-Planner the actual ground pressure, amongst other parameters, can already be calculated and displayed in the planning stage.

Equipment

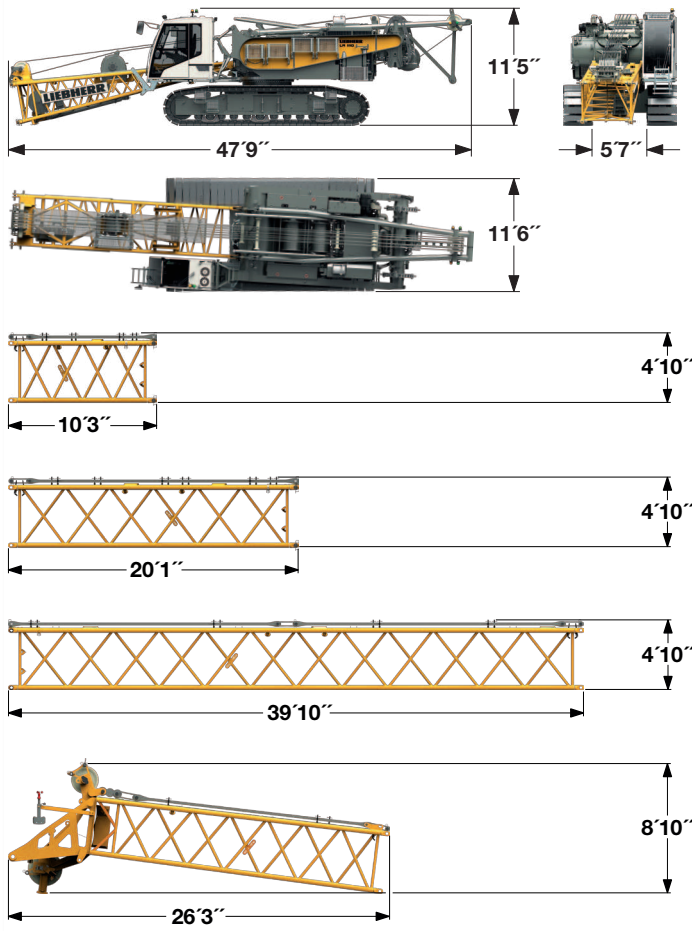
Main boom (No. 1512.xx) max. length _____ 233 ft
 Luffing jib (No. 1309.xx) max. length _____ 219 ft
 Max. combination _____ main boom 125 ft and luffing jib 219 ft
 Fixed jib (No. 0806.xx) _____ 105 ft
 Auxiliary jib _____ 66,140 lbs

Remarks

1. The lifting capacities stated are valid for lifting operation only (corresponding with crane classification according to F.E.M. 1.001. crane group A1).
2. Crane standing on firm, horizontal ground.
3. The weight of the lifting device (hoisting ropes, hook block, shackle etc.) must be deducted from the gross lifting capacity to obtain a net lifting value.
4. Additional equipment on boom (e.g. boom walkways, auxiliary jib) must be deducted to get the net lifting capacity.
5. For max. wind speed please refer to lift chart in operator's cab or manual.
6. Working radii are measured from center of swing and under load.
7. The lifting capacities are valid for 360 degrees of swing.
8. Calculation of stability under load is based on ANSI/ASME B 30.5 load ratings as well as ISO 4305 Table 2 and is tested according to SAE J765.
9. Loads for calculation of structures are corresponding to F.E.M. 1.001-1998 and are tested according to SAE J987.

Transport dimensions and weights

Basic machine and boom (No. 1512.xx)



Basic machine

with A-frame, 2x 26,980 lbf crane winches, boom foot and crawlers, without basic counterweight

Width	11'6"
Weight without hoist rope	125,700 lbs
Weight of hoist rope	2.3 lbs/ft

Boom section (No. 1512.22)

10 ft

Width	5'3"
Weight incl. main boom pendants	1,047 lbs
Weight incl. main boom and luffing jib pendants	1,190 lbs

Boom section (No. 1512.22)

20 ft

Width	5'3"
Weight incl. main boom pendants	1,675 lbs
Weight incl. main boom and luffing jib pendants	1,920 lbs

Boom section (No. 1512.22)

40 ft

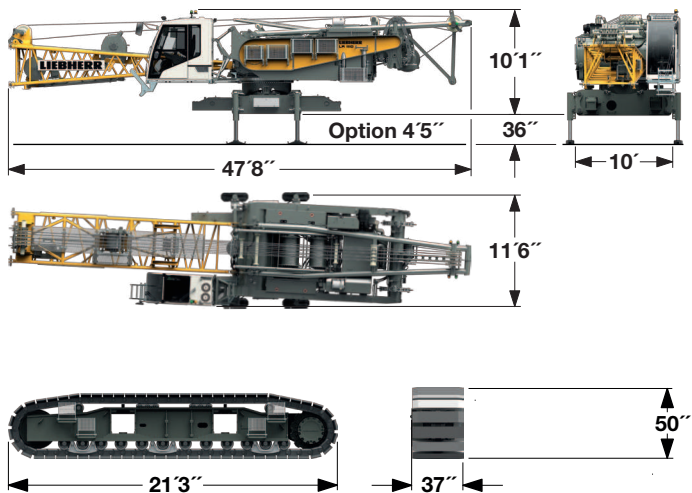
Width	5'3"
Weight incl. main boom pendants	3,090 lbs
Weight incl. main boom and luffing jib pendants	3,560 lbs

Boom head (No. 1512.22)

Width	6'
Weight incl. main boom pendants	4,830 lbs

Transport options

Basic machine and crawlers



Basic machine

with A-frame, 2x 26,980 lbf crane winches, boom foot, without basic counterweight and crawlers

Width	11'6"
Weight without hoist rope	82,700 lbs
Weight of hoist rope	2.3 lbs/ft

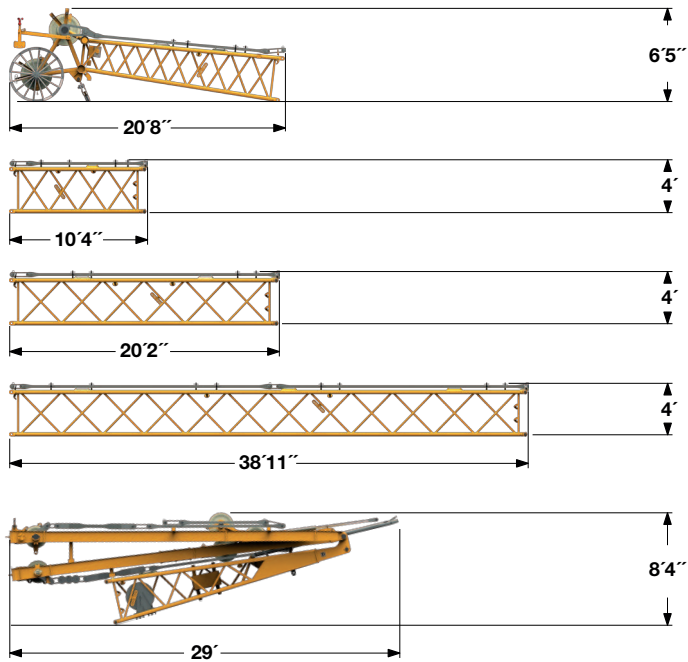
Crawler

2x

Track pads	35.4 inch
Width	37.0 inch
Weight	22,490 lbs

Transport dimensions and weights

Luffing jib (No. 1309.xx)



*) Including pendants

Luffing jib head (No. 1309.22)

Width	4'7"
Weight*	2,470 lbs

Luffing jib section (No. 1309.20) 10 ft

Width	4'7"
Weight*	770 lbs

Luffing jib section (No. 1309.20) 20 ft

Width	4'7"
Weight*	1,170 lbs

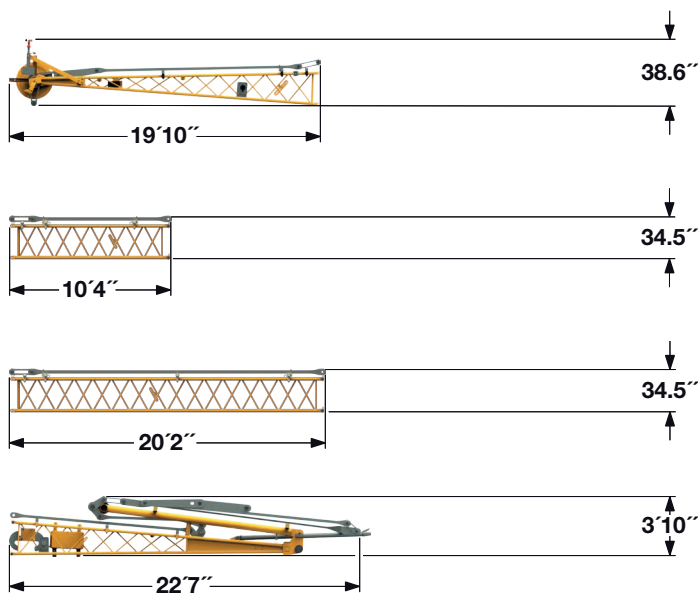
Luffing jib section (No. 1309.20) 38 ft

Width	4'7"
Weight*	2,095 lbs

Luffing jib foot with A-frames (No. 1309.22)

Width	5'4"
Weight*	9,225 lbs

Fixed jib (No. 0806.xx)



*) Including pendants

Fixed jib head (No. 0806.16)

Width	3'1"
Weight*	935 lbs

Fixed jib section (No. 0806.15) 10 ft

Width	3'1"
Weight*	320 lbs

Fixed jib section (No. 0806.15) 20 ft

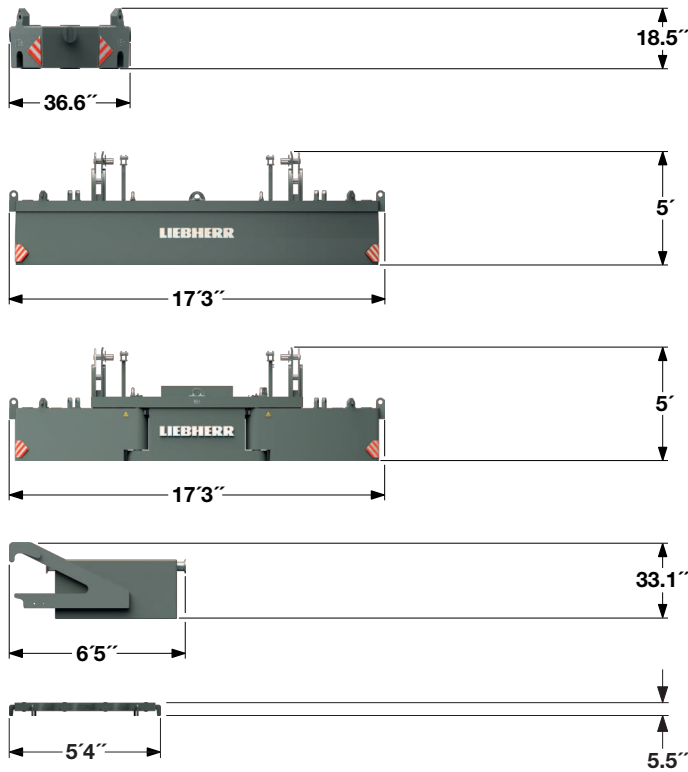
Width	3'1"
Weight*	550 lbs

Fixed jib foot with A-frame (No. 0806.20)

Width	5'6"
Weight*	2,730 lbs

Transport dimensions and weights

Counterweight



Counterweight		12x
Width		37.2 inch
Weight		3,310 lbs

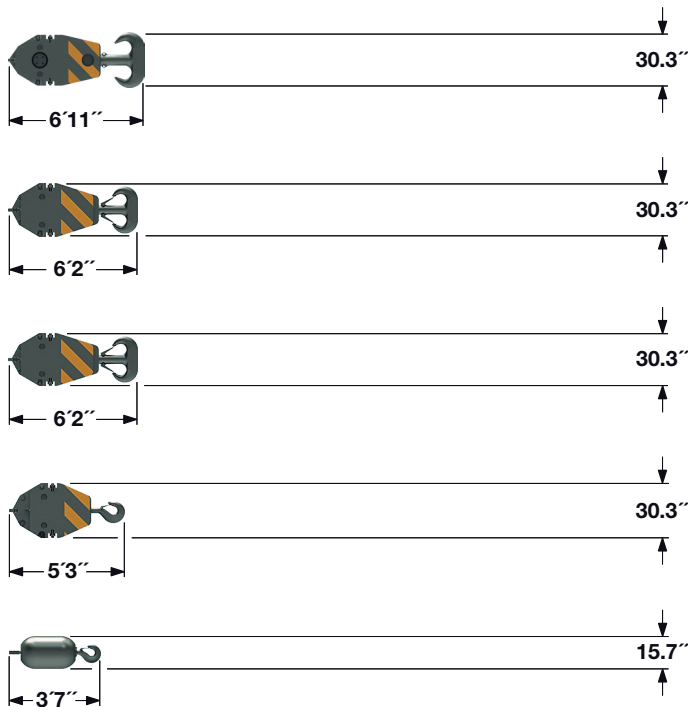
Standard counterweight		1x
Width		4'10"
Weight		35,275 lbs

Swinging counterweight option		1x
Width		4'10"
Weight		35,275 lbs

Carbody counterweight		2x
		Standard
Width		5'5"
Weight		16,500 lbs

Carbody counterweight		2x
		Standard
Width		5'
Weight		2,800 lbs

Hooks



352,800 lbs hook block – 7 sheaves		
Width		34.6 inch
Weight		6,615 lbs

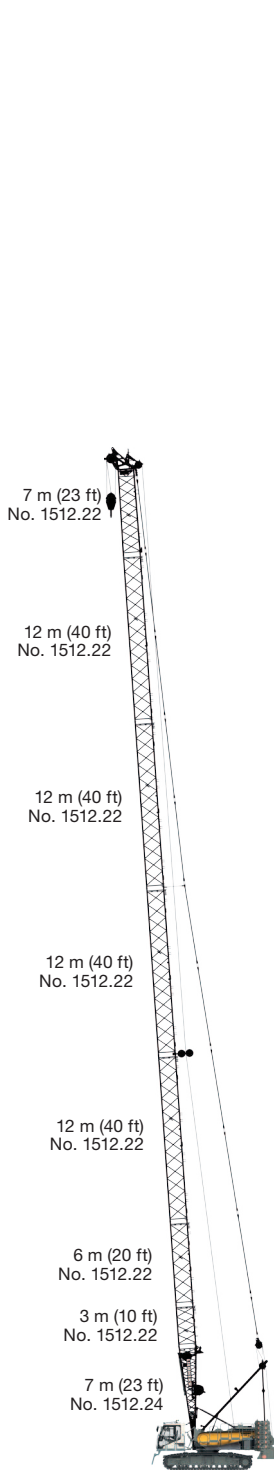
220,500 lbs hook block – 5 sheaves		
Width		29.1 inch
Weight		5,070 lbs

176,400 lbs hook block – 3 sheaves		
Width		22.0 inch
Weight		4,410 lbs

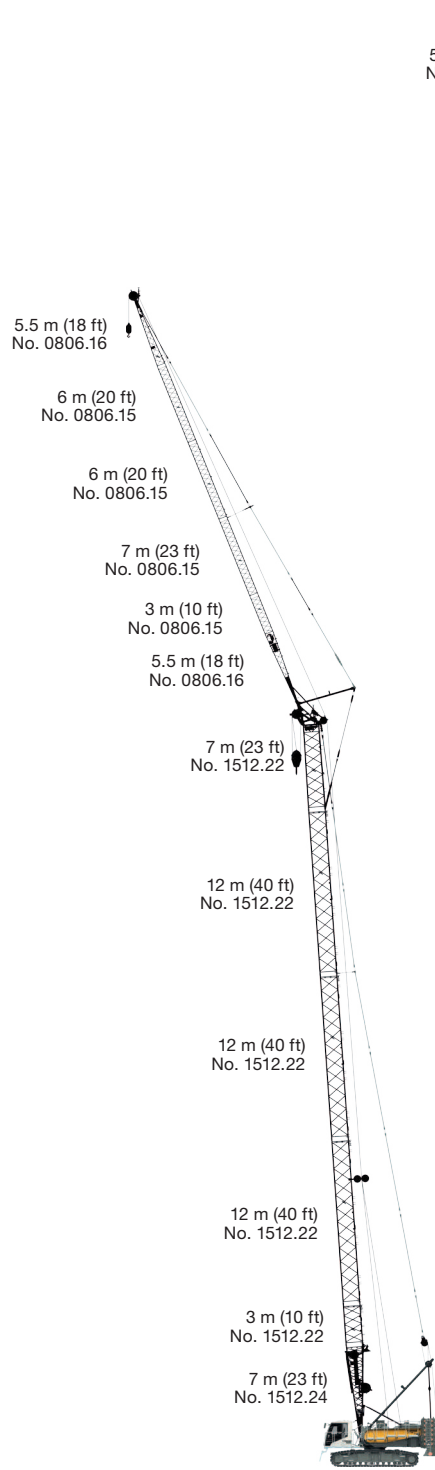
88,200 lbs hook block – 1 sheave		
Width		18.9 inch
Weight		3,310 lbs

27,600 lbs single hook		
Width		15.7 inch
Weight		1,325 lbs

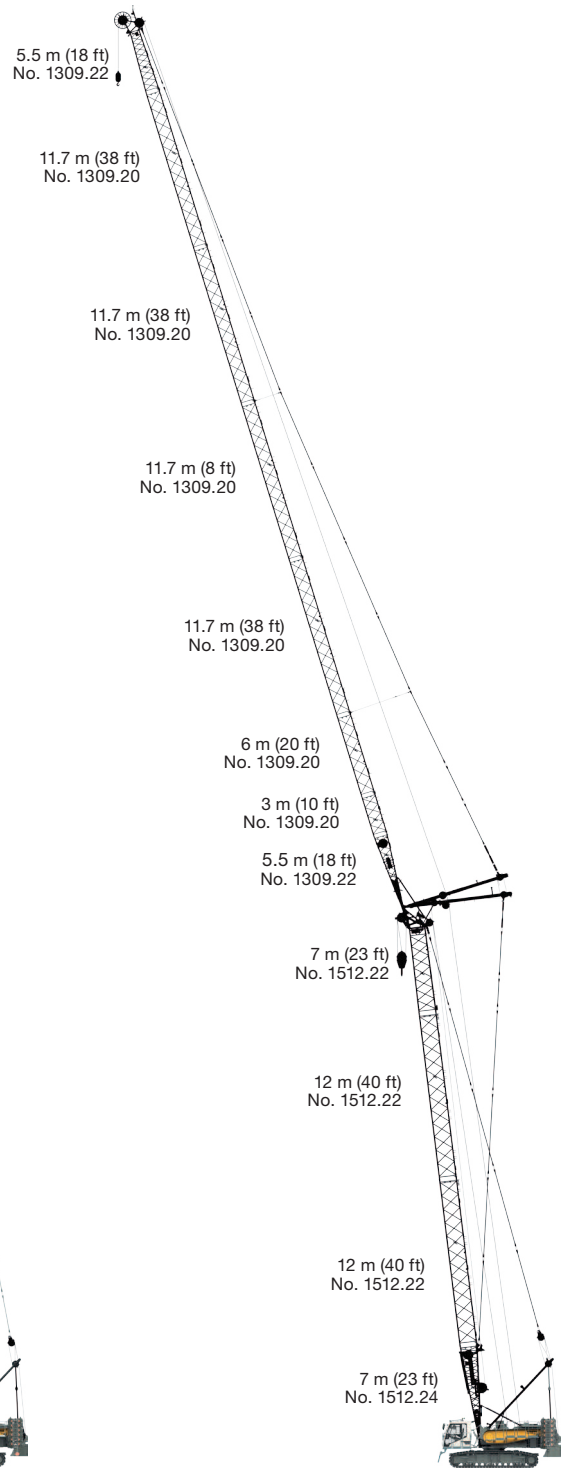
Boom combinations



Main boom No. 1512.xx — 233 ft



Max. combination — 279 ft
 Main boom No. 1512.xx · 174 ft
 Fixed jib No. 0806.xx · 105 ft



Max. combination — 344 ft
 Main boom No. 1512.xx — 125 ft
 Luffing jib No. 1309.xx — 219 ft
 Max. combination — 315 ft
 Main boom No. 1512.xx — 134 ft
 Luffing jib No. 1309.xx — 181 ft

Technical description



Engine

Power rating according to ISO 9249, 230 kW (308 hp) at 1700 rpm
Engine type ———— Liebherr D 944 A7 SCR
Fuel tank ———— 211 gal capacity with continuous level indicator and reserve warning
Engine complies with NRMM exhaust certification EPA/CARB Tier 4f and 97/68 EC Stage IV.



Hydraulic system

A double axial displacement pump supplies the open loop hydraulic system, allowing all functions to be operated simultaneously. To minimize peak pressure an automatic working pressure cut-off is integrated in the pump. All filters are electronically monitored. The use of synthetic environmentally friendly (biodegradable) oils is possible.
Working pressure ———— max. 5,076 PSI
Oil tank capacity ———— 227 gal



Luffing jib winch

Line pull ———— max. 23,605 lbf
Rope diameter ———— 20 mm
Jib luffing ———— 46 sec. from 15° to 78°



Boom winch

Line pull ———— max. 26,080 lbf
Rope diameter ———— 20 mm
Boom luffing ———— 44 sec. from 15° to 86°



Swing

Consists of rollerbearing with external teeth, swing drive with fixed axial piston hydraulic motor, spring loaded and hydraulically released multi-disc holding brake, planetary gearbox and pinion.
Both swing modes are possible – speed control or free swing.
A multi-disc holding brake acts automatically at zero swing motion.
Swing speed from 0 – 1.5 rpm continuously variable.



Main winches

Line pull (4th layer) ———— 26,980 lbf
Rope diameter ———— 26 mm
Diameter (1st layer) ———— 22.8 inch
Rope speed ———— 0 – 446 ft/min
Rope capacity in 4 layers ———— 840 ft

The winches are outstanding in their compact design and easy assembly.
Propulsion is via a planetary gearbox in an oil bath.
Load support by the hydraulic system; additional safety factor provided by a spring loaded, multi-disc holding brake.
The main winches use pressure controlled, variable flow hydraulic motors. This system features sensors that automatically adjust oil flow to provide max. winch speed depending on load.

Option – winch with free-fall system:
Clutch and braking functions on the free-fall system are provided by a compact designed, low wear and maintenance-free multi-disc brake.



Control

The heart of the hydraulic crawler cranes is the Liebherr control system which has been developed and manufactured in-house. It includes all control and monitoring functions and is designed to withstand extreme environmental conditions and heavy duty construction tasks. Complete machine operating data as well as warning signals and irregularities are clearly displayed on the high resolution monitor in the operator's cab in the required language.

The electro-hydraulic proportional control allows several movements to be performed simultaneously. This ensures that all categories of loads can be positioned with utmost precision.



Crawlers

Propulsion through axial piston motor, hydraulically released spring loaded multi-disc brake, crawler tracks, hydraulic chain tensioning device.

Track pads ———— 35.4 inch
Drive speed ———— 0 – 0.84 mph



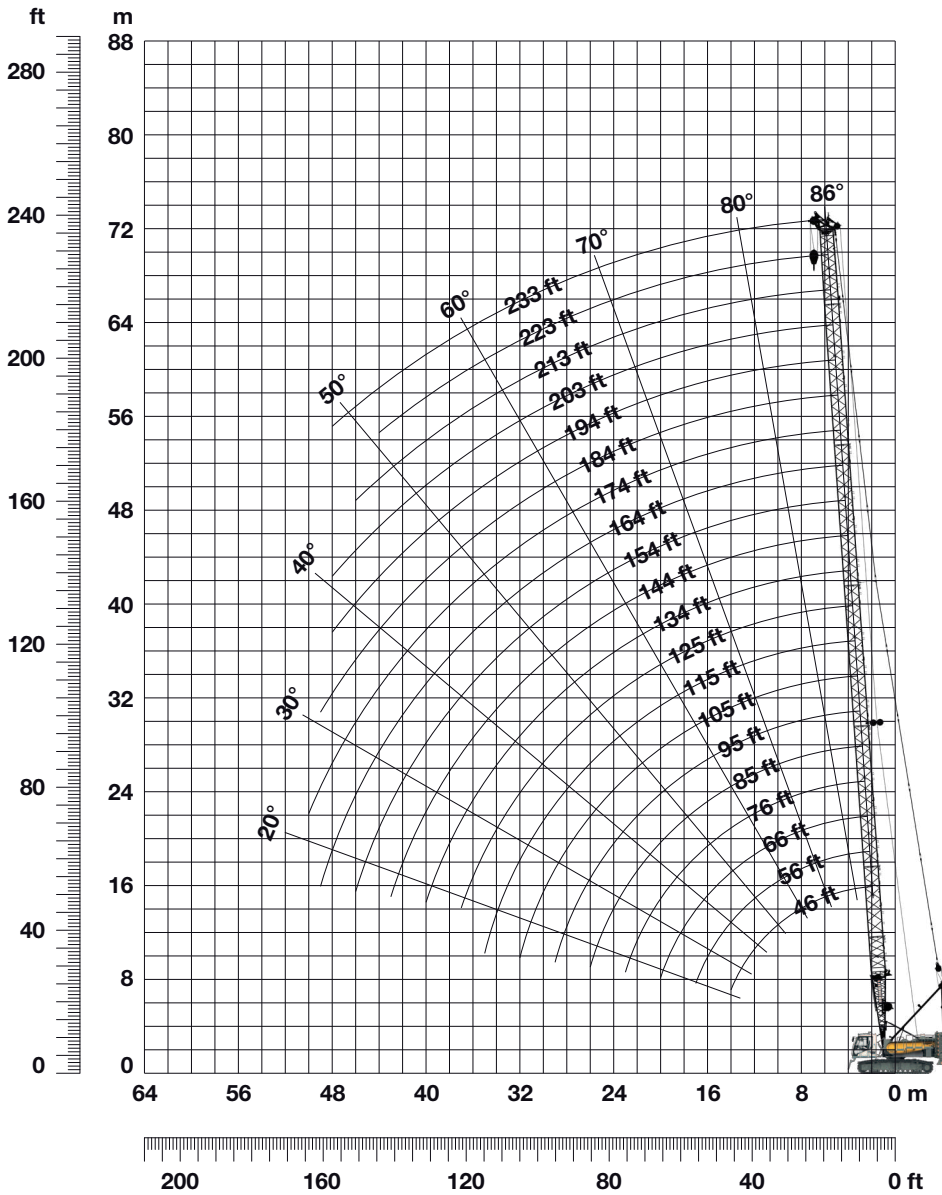
Noise emission

Noise emissions correspond with 2000/14/EC directive.

Guaranteed sound pressure level L_{PA} in the cabin ———— ≤ 71 dB(A)
Guaranteed sound power level L_{WA} ———— ≤ 106 dB(A)
Vibration transmitted to the hand-arm system of the machine operator ———— < 8.20 ft/s²
Vibration transmitted to the whole body of the machine operator ———— < 1.64 ft/s²

Main boom 86° - 15° (No. 1512.xx)

75,000 lbs counterweight and 38,600 lbs carbody counterweight



Auxiliary jib 66,140 lbs



The maximum capacity of the auxiliary jib is 66,140 lbs. The corresponding load chart is programmed in the LMI system.

Main boom configuration (No. 1512.xx)

Configuration for boom lengths between 46 ft and 233 ft

Boom foot	Length	Amount of boom extensions																			
		1	1	1	1	1	1	1	1	1	1	1	1	1	1	1	1	1	1	1	1
Boom foot	23 ft	1	1	1	1	1	1	1	1	1	1	1	1	1	1	1	1	1	1	1	1
Boom insert	10 ft		1		1		1		1		1		1		1		1		1		1
Boom insert	20 ft			1	1		1	1		1	1		1	1		1	1		1	1	
Boom insert	40 ft					1	1	1	1		1	1	1	1		1	1	1	1		1
Boom head	23 ft	1	1	1	1	1	1	1	1	1	1	1	1	1	1	1	1	1	1	1	1
Boom length (ft)		46	56	66	76	85	95	105	115	125	134	144	154	164	174	184	194	203	213	223	233
Auxiliary jib applicable		✓	✓	✓	✓	✓	✓	✓	✓	✓	✓	✓	✓	✓	✓	✓	✓	✓	✓	✓	✓

*Actual lengths of boom sections are metric (e.g. 3 m, 6 m, 7 m, 12 m). The figures shown above are approximate conversions to feet.

Lift chart for main boom (No. 1512.xx)

75,000 lbs counterweight and 38,600 lbs carbody counterweight

Capacities in 1000 lbs for boom length (46 ft - 233 ft) - with 26,980 lbf winches

Radius (ft)	Boom length in (ft)																			Radius (ft)	
	46	56	66	76	85	95	105	115	125	135	144	154	164	174	184	194	203	213	223		233
	lbs	lbs	lbs	lbs	lbs	lbs	lbs	lbs	lbs	lbs	lbs	lbs	lbs	lbs	lbs	lbs	lbs	lbs	lbs	lbs	lbs
9,7	254,6																				9,7
15	230,6	217,0	204,9	194,0	184,2	175,2	154,8	137,6													15
20	158,0	152,8	146,4	140,4	135,0	129,8	125,0	120,4	114,8	105,4	93,7	92,3	79,3	72,2	64,4	59,0					20
25	112,5	112,5	112,6	109,4	105,9	102,5	99,3	96,1	93,2	90,4	87,7	85,1	77,5	70,7	63,3	58,0	52,4	47,2	42,8	38,7	25
30	86,9	86,9	86,8	86,7	86,7	84,3	81,9	79,6	77,4	75,3	73,3	71,3	69,4	67,5	62,0	56,5	51,5	46,4	42,5	38,2	30
40	58,9	58,8	58,8	58,6	58,6	58,4	58,3	58,1	57,1	55,6	54,3	52,9	51,7	50,4	49,2	47,9	46,8	44,8	41,2	37,3	40
45	50,3	50,3	50,3	50,1	50,1	49,9	49,8	49,5	49,4	48,9	47,8	46,6	45,5	44,4	43,3	42,2	41,2	40,2	39,2	36,9	45
55		38,6	38,6	38,4	38,4	38,2	38,0	37,8	37,7	37,4	37,2	37,0	36,2	35,3	34,5	33,6	32,8	31,9	31,1	30,3	55
65			30,9	30,7	30,7	30,5	30,3	30,1	30,0	29,7	29,5	29,3	29,1	28,8	28,1	27,3	26,7	26,1	25,4	24,7	65
75				25,4	25,4	25,2	25,0	24,8	24,6	24,4	24,2	23,9	23,7	23,5	23,3	22,8	22,2	21,5	20,7	20,0	75
85					21,3	21,1	20,9	20,7	20,6	20,3	20,1	19,8	19,7	19,4	19,2	18,9	18,3	17,6	16,9	16,2	85
95						17,9	17,8	17,5	17,4	17,2	16,9	16,7	16,5	16,2	16,0	15,7	15,3	14,6	14,0	13,3	95
105							15,2	15,0	14,9	14,6	14,4	14,2	14,0	13,7	13,5	13,2	12,8	12,2	11,6	10,9	105
115								12,9	12,8	12,6	12,4	12,1	11,9	11,7	11,4	11,1	10,8	10,2	9,6	9,0	115
125									11,1	10,9	10,7	10,4	10,2	9,9	9,7	9,4	9,2	8,6	8,0	7,4	125
135										9,4	9,2	8,9	8,8	8,5	8,3	8,0	7,8	7,2	6,7	6,1	135
140											8,5	8,3	8,1	7,8	7,6	7,3	7,1	6,6	6,0	5,5	140
145												7,7	7,5	7,2	7,0	6,7	6,5	6,0	5,5	4,9	145
155													6,4	6,2	5,9	5,7	5,4	5,0	4,5		155
160													5,9	5,7	5,4	5,2	5,0	4,5			160
165														5,2	5,0	4,7	4,5				165
170														4,8	4,5						170

TLT 11943097 M00000 V9

75,000 lbs swinging counterweight 90° and 38,600 lbs carbody counterweight

Capacities in 1000 lbs for boom length (56 ft - 233 ft) - with 26,980 lbf winches

Radius (ft)	Boom length in (ft)																			Radius (ft)	
	56	66	76	85	95	105	115	125	135	144	154	164	174	184	194	203	213	223	233		
	lbs	lbs	lbs	lbs	lbs	lbs	lbs	lbs	lbs	lbs	lbs	lbs	lbs	lbs	lbs	lbs	lbs	lbs	lbs	lbs	
22,8																				38,7	22,8
25																		47,2	42,8	38,7	25
30																		46,4	42,5	38,2	30
35										72,7	71,0	69,2	67,6	65,9	60,5	55,1	50,7	45,6	42,1	37,7	35
40						65,6	65,4	64,8	63,2	61,8	60,3	58,9	57,5	56,2	54,0	50,0	44,8	41,2	37,3	34,0	40
45			56,5	56,5	56,3	56,1	55,9	55,8	55,6	54,4	53,2	52,0	50,8	49,6	48,5	47,4	44,2	40,6	36,9	34,5	45
50	49,4	49,4	49,2	49,2	49,0	48,8	48,6	48,5	48,3	48,1	47,4	46,4	45,3	44,3	43,2	42,3	41,3	39,8	36,6	34,0	50
55	43,6	43,6	43,5	43,4	43,2	43,1	42,8	42,7	42,5	42,3	42,0	41,7	40,7	39,8	38,8	38,0	37,0	36,2	35,3	34,0	55
60		38,9	38,8	38,8	38,6	38,4	38,2	38,0	37,8	37,6	37,3	37,1	36,8	36,0	35,1	34,3	33,4	32,6	31,8	30,6	60
65		35,0	34,9	34,9	34,7	34,5	34,3	34,1	33,9	33,7	33,4	33,2	33,0	32,7	31,9	31,1	30,3	29,6	28,8	27,6	65
75			28,8	28,8	28,6	28,5	28,2	28,1	27,8	27,6	27,4	27,2	26,9	26,7	26,6	26,1	25,4	24,8	24,0	23,0	75
85			24,4	24,4	24,2	24,0	23,8	23,7	23,4	23,2	22,9	22,8	22,5	22,3	22,0	21,8	21,2	20,5	19,7	18,7	85
95					20,6	20,5	20,3	20,2	19,9	19,7	19,4	19,2	19,0	18,8	18,5	18,3	17,8	17,1	16,4	15,4	95
105						17,7	17,5	17,4	17,1	16,9	16,6	16,4	16,2	15,9	15,7	15,5	15,1	14,5	13,8	12,8	105
115							15,2	15,1	14,8	14,6	14,3	14,2	13,9	13,7	13,4	13,2	12,8	12,3	11,6	10,6	115
125								13,1	12,9	12,7	12,4	12,3	12,0	11,8	11,5	11,3	11,0	10,4	9,8	9,0	125
135									11,3	11,1	10,8	10,6	10,4	10,1	9,9	9,7	9,4	8,9	8,3	7,6	135
140										10,4	10,1	9,9	9,7	9,4	9,1	8,9	8,7	8,2	7,6	7,0	140
150											8,8	8,6	8,4	8,1	7,9	7,7	7,4	7,0	6,4	5,8	150
160												7,5	7,2	7,0	6,7	6,5	6,3	5,9	5,3	4,8	160
170													6,2	6,0	5,8	5,6	5,3	5,0	4,4	3,9	170
175														5,6	5,3	5,1	4,8	4,5			175
180															5,1	4,9	4,7				180
185																4,5					185

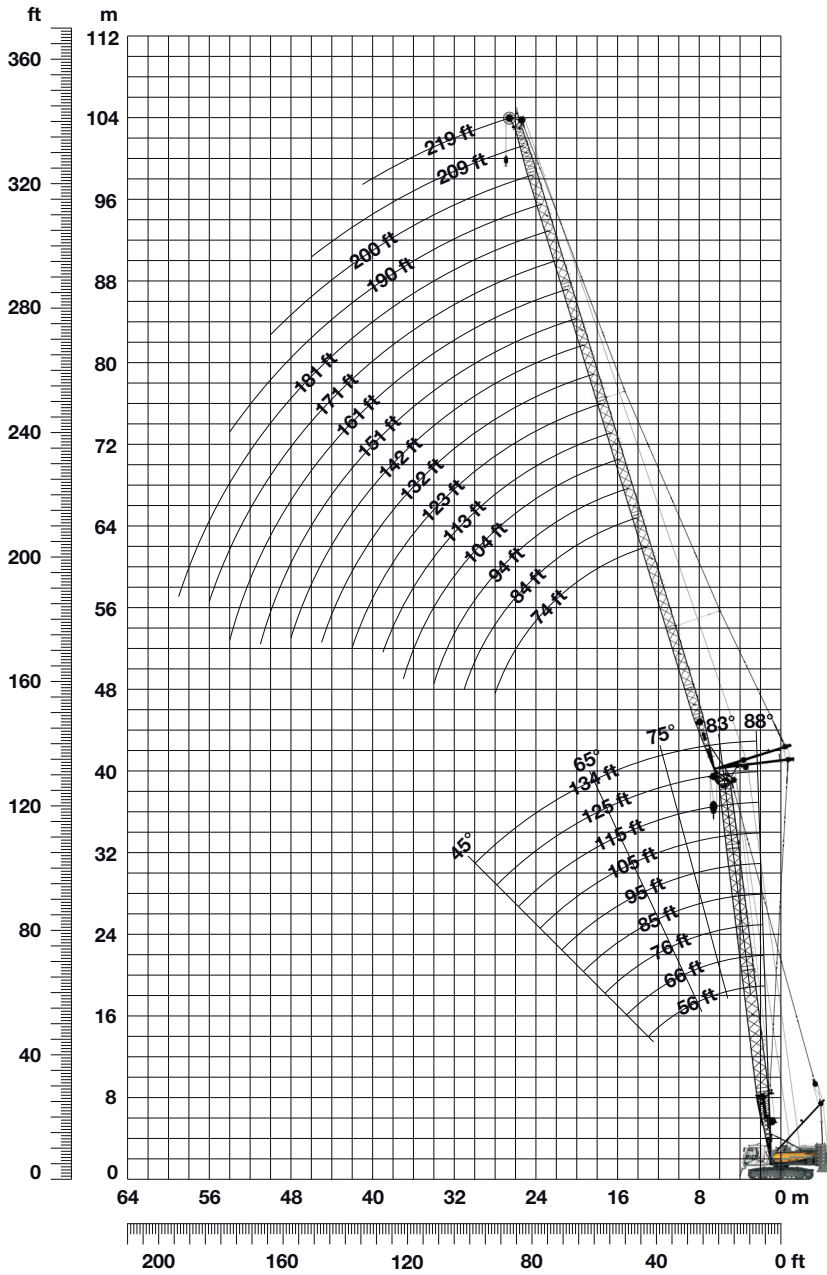
TLT 11943097 M00000 V9

Above lift chart is for reference only.

For actual lift duty and complete chart with all available configurations please refer to lift chart in operator's cab or manual.

Working range - luffing jib 78° - 15° (No. 1309.xx)

Main boom 88° - 45°



Boom configuration for main boom lengths (46 ft - 134 ft) - see table on page 10

Jib configuration for jib lengths (74 ft - 219 ft)

	Length	Amount of luffing jib extensions															
Luffing jib foot	18 ft	1	1	1	1	1	1	1	1	1	1	1	1	1	1	1	1
Luffing jib insert	10 ft		1		1		1		1		1		1		1		1
Luffing jib insert	20 ft			1	1		1		1		1		1		1		1
Luffing jib insert	38 ft	1	1	1	1	2	2	2	2	3	3	3	3	4	4	4	4
Luffing jib head	18 ft	1	1	1	1	1	1	1	1	1	1	1	1	1	1	1	1
Luffing jib length (ft)		74	84	94	104	113	123	132	142	151	161	171	181	190	200	209	219

*Actual lengths of boom sections are metric (e.g. 3 m, 6 m, 5.5 m, 11.7 m). The figures shown above are approximate conversions to feet.

Lift chart - luffing jib (No. 1309.xx)

TLT 11943097 M00000 V9

Main boom angle 88°, standard counterweight

Main boom 56 ft

Radius (ft)	Jib length in (ft)							
	75 lbs	104 lbs	123 lbs	142 lbs	161 lbs	181 lbs	199 lbs	219 lbs
25,2	81,6							
35	64,2	57,6						
40	56,7	51,9	48,0	40,2				
50	46,0	43,0	40,6	37,2	31,9	25,5		
60	38,5	36,5	34,5	32,4	29,2	24,3	20,8	16,9
70	31,8	31,1	30,0	27,9	26,2	23,0	19,7	16,1
80	26,9	26,6	26,0	24,7	23,3	21,2	18,7	15,2
90		22,9	22,7	21,8	20,7	19,3	17,1	14,5
105		18,6	18,6	18,2	17,5	16,5	15,5	13,2
125			14,4	14,4	14,0	13,5	12,6	11,4
145				11,5	11,3	10,9	10,5	9,5
165					5,2	8,9	8,5	7,8
180						7,6	7,2	6,7
200							5,4	5,5
215								4,7

Main boom 76 ft

Radius (ft)	Jib length in (ft)							
	75 lbs	104 lbs	123 lbs	142 lbs	161 lbs	181 lbs	199 lbs	219 lbs
25,9	69,5							
35	57,0	49,7						
40	51,2	46,4	42,3					
45	46,8	42,5	39,4	35,1	30,0			
50	42,6	39,2	36,4	33,2	29,1	23,7		
55	39,2	36,1	34,1	30,9	28,2	23,1	19,8	
60	36,3	33,8	31,6	29,3	26,4	22,7	19,2	15,8
80	25,9	25,5	24,5	23,1	21,2	19,3	17,0	14,3
110		7,8	16,2	16,3	15,7	14,3	13,3	11,7
125			13,5	13,4	13,3	12,6	11,5	10,2
145				10,7	10,8	10,3	9,7	8,6
165					4,8	8,7	8,1	7,1
180						7,6	7,2	6,1
200							5,9	5,1
210								4,6

Main boom 95 ft

Radius (ft)	Jib length in (ft)							
	75 lbs	104 lbs	123 lbs	142 lbs	161 lbs	181 lbs	199 lbs	219 lbs
26,6	62,5							
35	53,5	46,6						
40	48,9	43,3	39,0					
45	45,0	39,9	36,7	31,4	26,4			
50	41,3	37,2	34,1	30,0	25,9	21,5		
55	38,2	34,6	32,4	28,2	24,8	21,2	17,9	
60	35,3	32,7	30,1	26,9	23,7	20,4	17,3	14,7
80	24,3	23,8	22,8	21,8	19,6	17,6	15,6	13,1
110		15,1	15,2	14,9	14,4	13,5	12,4	11,0
125			12,6	12,3	12,2	11,9	10,9	9,8
145				10,0	10,1	9,8	9,4	8,3
165					8,2	8,3	7,8	7,0
185						6,9	6,7	5,8
200							5,7	5,1
210								4,5

Main boom 115 ft

Radius (ft)	Jib length in (ft)							
	75 lbs	104 lbs	123 lbs	142 lbs	161 lbs	181 lbs	199 lbs	219 lbs
27,3	54,1							
35	49,8	40,6						
40	46,3	38,3	33,4					
45	42,5	35,7	31,7	27,4				
50	38,8	33,6	29,6	26,1	22,7	19,0		
55	35,2	31,3	28,2	24,9	22,0	18,6	16,0	
60	32,3	29,5	26,4	23,9	21,3	18,0	15,5	13,1
80	22,8	21,5	20,5	19,7	17,7	15,6	13,8	11,8
110		14,2	14,0	13,5	12,9	12,0	11,2	9,9
125			11,8	11,4	11,1	10,6	9,9	8,9
145				9,3	9,2	8,9	8,7	7,7
165					7,6	7,5	7,3	6,6
185						6,3	6,3	5,6
200							5,4	4,8
205								4,5

Main boom 125 ft

Radius (ft)	Jib length in (ft)							
	75 lbs	104 lbs	123 lbs	142 lbs	161 lbs	181 lbs	199 lbs	219 lbs
27,6	46,9							
35	43,6	35,8						
40	41,2	34,1	30,1					
45	38,7	32,5	28,8	25,1				
50	36,0	31,1	27,5	24,1	21,1	17,7		
55	33,1	29,0	26,4	23,1	20,4	17,5	14,8	
60	30,7	27,4	25,2	22,2	19,7	16,9	14,5	12,1
70	25,4	23,5	22,8	20,0	18,3	15,8	13,7	11,4
80	21,8	20,5	19,3	18,2	16,5	14,7	13,0	10,8
110		13,7	13,3	12,8	12,3	11,4	10,6	9,1
130			6,8	10,4	10,1	9,7	9,0	8,0
145				9,1	8,8	8,4	8,1	7,3
165					7,5	7,1	6,9	6,3
185						6,1	6,0	5,4
200							5,3	4,6

Main boom 135 ft

Radius (ft)	Jib length in (ft)					
	75 lbs	104 lbs	123 lbs	142 lbs	161 lbs	181 lbs
28	43,0					
35	39,8	32,4				
40	37,7	31,2	27,4			
45	35,6	29,7	26,3	22,9		
50	33,4	28,3	25,4	22,1	19,2	
55	30,7	26,5	24,4	21,3	18,6	15,8
60	28,7	25,3	23,3	20,4	17,9	15,3
70	24,3	21,9	21,2	18,7	16,8	14,3
80	21,0	19,4	18,1	17,2	15,4	13,5
90		16,8	16,2	15,2	14,5	12,6
110		13,3	12,6	12,1	11,7	10,7
125			10,9	10,3	10,1	9,4
145				8,7	8,4	7,9
165					7,1	6,8
185						5,9

Capacities in 1000 lbs with luffing jib (No. 1309.xx) 75,000 lbs counterweight + 38,600 lbs carbody counterweight. Above lift chart is for reference only. For actual lift duty and complete chart with all available configurations please refer to lift chart in operator's cab or manual.

Lift chart - luffing jib (No. 1309.xx)

TLT 11943097 M00000 V9

Main boom angle 83°, standard counterweight

Main boom 56 ft

Radius (ft)	Jib length in (ft)							
	75 lbs	104 lbs	123 lbs	142 lbs	161 lbs	181 lbs	199 lbs	219 lbs
36,5	65,3							
50	46,8	44,9						
55	41,6	40,8	39,2					
60	37,3	36,8	35,9	34,5				
65	33,8	33,3	33,0	31,7	30,5			
70	30,9	30,4	30,1	29,3	28,2	23,7		
75	28,3	27,9	27,6	27,2	26,2	23,2	20,0	
80	26,1	25,7	25,4	25,0	24,4	22,7	19,7	15,7
85	24,1	23,8	23,5	23,1	22,8	21,7	19,3	15,4
115		11,6	15,8	15,5	15,1	14,8	14,3	13,4
130			13,3	13,0	12,7	12,3	12,0	11,2
150				10,5	10,2	9,9	9,5	8,9
170					6,2	8,0	7,7	7,1
185						6,8	6,5	6,0
205							5,2	4,8

Main boom 76 ft

Radius (ft)	Jib length in (ft)							
	75 lbs	104 lbs	123 lbs	142 lbs	161 lbs	181 lbs	199 lbs	219 lbs
38,9	57,7							
50	45,3	42,4						
55	41,0	38,6	37,1					
60	36,9	35,4	34,0	32,6				
65	33,4	32,6	31,4	30,0	28,3			
70	30,5	30,0	29,0	27,8	26,7	22,3		
80	25,8	25,3	25,0	24,1	23,1	21,6	18,5	
85	23,9	23,5	23,2	22,5	21,6	20,5	18,2	14,6
115		15,8	15,6	15,2	14,8	14,2	13,4	12,5
135			7,7	12,1	11,8	11,4	10,6	9,9
150				10,3	10,0	9,6	9,0	8,3
170					8,1	7,8	7,3	6,6
190						6,3	5,9	5,2
200							5,3	4,6
205							5,0	

Main boom 95 ft

Radius (ft)	Jib length in (ft)							
	75 lbs	104 lbs	123 lbs	142 lbs	161 lbs	181 lbs	199 lbs	219 lbs
41,3	51,2							
50	42,7	40,0						
60	35,7	33,4	32,1					
65	32,9	30,9	29,6	28,3				
70	30,0	28,6	27,5	26,3	25,1			
75	27,6	26,6	25,5	24,4	23,4	20,5		
80	25,4	24,9	23,8	22,7	21,8	20,1	17,2	
85	23,5	23,1	22,3	21,3	20,4	19,3	16,9	13,6
90	21,8	21,5	21,0	19,9	19,0	18,0	16,7	13,5
115		15,5	15,3	14,9	14,1	13,3	12,6	11,7
135			12,1	11,8	11,4	10,7	9,9	9,2
155				9,5	9,3	8,6	7,9	7,2
170					7,9	7,4	6,7	6,0
190						6,0	5,3	4,7
205							4,5	

Main boom 115 ft

Radius (ft)	Jib length in (ft)							
	75 lbs	104 lbs	123 lbs	142 lbs	161 lbs	181 lbs	199 lbs	219 lbs
43,7	45,6							
55	36,7	34,3						
60	33,7	31,5	30,2					
65	31,1	29,1	27,9	26,6				
70	28,9	27,0	25,9	24,7	22,4			
75	26,9	25,1	24,1	23,0	21,9	18,5		
85	23,2	22,0	21,0	20,0	19,1	17,9	15,2	
90	21,5	20,7	19,7	18,8	17,9	16,9	14,9	12,4
100		18,4	17,5	16,6	15,8	14,9	14,0	12,0
120		14,3	14,1	13,3	12,5	11,7	10,9	10,1
140			6,9	10,8	10,1	9,3	8,6	7,9
155				9,3	8,7	7,9	7,3	6,5
175					7,1	6,4	5,8	5,1
185						5,7	5,1	4,4
195						5,2	4,5	

Main boom 125 ft

Radius (ft)	Jib length in (ft)							
	75 lbs	104 lbs	123 lbs	142 lbs	161 lbs	181 lbs	199 lbs	219 lbs
44,9	43,0							
55	35,6	33,2						
60	32,7	30,5	28,2					
65	30,2	28,2	27,0	23,8				
75	26,2	24,3	23,3	22,2	19,7			
80	24,5	22,8	21,8	20,7	19,1	16,5		
85	22,9	21,3	20,4	19,4	18,4	16,1	13,7	
90	21,3	20,1	19,1	18,2	17,2	15,7	13,5	11,1
120		14,2	13,7	12,8	12,1	11,3	10,5	9,6
140			11,1	10,4	9,7	8,9	8,3	7,5
160				4,9	7,9	7,2	6,5	5,8
175					6,8	6,1	5,5	4,7
180						5,8	5,1	4,4
190						5,2	4,6	
195						4,9		

Main boom 135 ft

Radius (ft)	Jib length in (ft)					
	75 lbs	104 lbs	123 lbs	142 lbs	161 lbs	181 lbs
46,1	38,2					
55	34,4	29,4				
65	29,3	27,3	24,7			
70	27,2	25,3	23,8	20,7		
75	25,4	23,6	22,6	20,0	17,7	
80	23,8	22,0	21,1	19,4	17,1	14,7
90	21,0	19,4	18,5	17,5	16,0	13,9
95	19,6	18,3	17,4	16,4	15,5	13,6
100		17,3	16,4	15,5	14,6	13,1
120		14,0	13,2	12,3	11,6	10,8
140			10,8	10,0	9,3	8,5
150				9,1	8,4	7,6
160				8,3	7,6	6,8
175					6,5	5,8
195						4,6

Capacities in 1000 lbs with luffing jib (No. 1309.xx) 75,000 lbs counterweight + 38,600 lbs carbody counterweight. Above lift chart is for reference only. For actual lift duty and complete chart with all available configurations please refer to lift chart in operator's cab or manual.

Lift chart - luffing jib (No. 1309.xx)

TLT 11943097 M00000 V9

Main boom angle 75°, standard counterweight

Main boom 56 ft

Radius (ft)	Jib length in (ft)							
	75 lbs	104 lbs	123 lbs	142 lbs	161 lbs	181 lbs	199 lbs	219 lbs
53,9	40,5							
70	29,3	28,7						
75	26,9	26,4	26,0					
85	23,0	22,5	22,2	21,7				
90	21,4	20,9	20,6	20,2				
95		19,5	19,2	18,8	18,4			
100		18,3	17,9	17,5	17,2	16,5		
110		16,1	15,8	15,4	15,0	14,6	13,8	
115		15,1	14,9	14,5	14,1	13,7	13,0	12,1
120		14,3	14,0	13,6	13,3	12,8	12,2	11,4
140			11,2	10,9	10,5	10,1	9,7	8,9
155				9,3	9,0	8,6	8,2	7,4
175					7,2	6,9	6,5	5,8
195						5,5	5,2	4,5
205							4,6	

Main boom 76 ft

Radius (ft)	Jib length in (ft)							
	75 lbs	104 lbs	123 lbs	142 lbs	161 lbs	181 lbs	199 lbs	219 lbs
59	35,0							
70	28,3							
75	26,0	25,4						
80	24,0	23,4	22,8					
90	20,7	20,1	19,7	19,0				
95	19,3	18,8	18,4	17,8				
100		17,5	17,2	16,7	15,9			
105		16,4	16,1	15,7	14,9	14,0		
115		14,5	14,2	13,8	13,3	12,4	11,6	
125		12,9	12,6	12,2	11,9	11,0	10,3	9,5
145			10,1	9,8	9,4	8,8	8,1	7,3
165				7,9	7,6	7,1	6,4	5,6
180					6,5	6,0	5,3	4,6
195						5,1	4,4	
200							4,8	

Main boom 95 ft

Radius (ft)	Jib length in (ft)							
	75 lbs	104 lbs	123 lbs	142 lbs	161 lbs	181 lbs	199 lbs	219 lbs
64,1	29,8							
80	23,1	21,9						
85	21,4	20,5	19,4					
95	18,5	17,9	17,1	16,2				
100	17,3	16,7	16,1	15,2				
105		15,7	15,2	14,3	13,4			
110		14,7	14,4	13,5	12,6	11,7		
120		13,1	12,7	12,0	11,2	10,4	9,6	
130		11,6	11,3	10,8	10,0	9,2	8,4	7,6
150			9,1	8,7	8,0	7,3	6,6	5,8
165				7,4	6,8	6,1	5,4	4,7
170				7,0	6,5	5,7	5,1	
180					5,8	5,1	4,4	
185					5,5	4,8		
190						4,5		

Main boom 115 ft

Radius (ft)	Jib length in (ft)							
	75 lbs	104 lbs	123 lbs	142 lbs	161 lbs	181 lbs	199 lbs	219 lbs
69,2	25,1							
85	20,2	18,5						
90	18,9	17,3	16,4					
100	16,5	15,3	14,5	13,5				
105	15,4	14,5	13,6	12,7				
110		13,7	12,9	11,9	11,1			
115		13,0	12,2	11,3	10,5	9,5		
125		11,6	10,9	10,0	9,3	8,4	7,7	
135		10,3	9,8	9,0	8,2	7,4	6,7	5,9
150			8,4	7,6	6,9	6,1	5,4	4,6
155			8,0	7,2	6,5	5,8	5,1	
160				6,9	6,2	5,4	4,7	
170				6,2	5,5	4,7		
175				5,9	5,2	4,4		
185					4,6			

Main boom 125 ft

Radius (ft)	Jib length in (ft)							
	75 lbs	104 lbs	123 lbs	142 lbs	161 lbs	181 lbs	199 lbs	219 lbs
71,7	23,0							
85	19,2	17,5						
95	17,0	15,4	14,5					
105	15,1	13,7	12,9	11,9				
110	14,1	12,9	12,1	11,2	10,4			
120		11,6	10,8	9,9	9,2	8,3		
125		11,0	10,2	9,4	8,6	7,8	6,9	
135		9,9	9,2	8,4	7,6	6,8	6,1	5,2
140		8,2	8,7	7,9	7,2	6,4	5,6	4,8
145			8,3	7,5	6,8	6,0	5,2	4,4
150			7,9	7,1	6,4	5,6	4,9	
155			7,5	6,7	6,0	5,2	4,5	
165				6,0	5,3	4,6		
175				5,4	4,7			
180					4,4			

Main boom 135 ft

Radius (ft)	Jib length in (ft)					
	75 lbs	104 lbs	123 lbs	142 lbs	161 lbs	181 lbs
74,2	21,0					
90	17,1	15,5				
95	16,1	14,5	13,6			
105	14,3	12,9	12,0	11,1		
110	13,5	12,1	11,3	10,4		
115		11,5	10,7	9,8	9,0	
120		10,9	10,1	9,2	8,4	7,5
125		10,3	9,5	8,7	7,9	7,0
130		9,8	9,0	8,2	7,4	6,6
135		9,3	8,5	7,7	7,0	6,1
140		8,8	8,1	7,3	6,5	5,7
155			6,9	6,1	5,4	4,6
160			6,5	5,8	5,1	
170				5,1	4,5	
180				4,6		

Capacities in 1000 lbs with luffing jib (No. 1309.xx) 75,000 lbs counterweight + 38,600 lbs carbody counterweight. Above lift chart is for reference only. For actual lift duty and complete chart with all available configurations please refer to lift chart in operator's cab or manual.

Lift chart - luffing jib (No. 1309.xx)

TLT 11943097 M00000 V9

Main boom angle 65°, standard counterweight

Main boom 56 ft

Radius (ft)	Jib length in (ft)							
	74 lbs	104 lbs	123 lbs	142 lbs	161 lbs	181 lbs	199 lbs	219 lbs
74,1	25,6							
95	18,7	18,1						
100	17,5	16,9						
105		15,9	15,5					
115		14,0	13,7	13,2				
125		12,5	12,1	11,7	11,3			
130		11,8	11,5	11,1	10,7			
135			10,8	10,4	10,1	9,5		
150			9,2	8,9	8,5	8,0	7,4	
160				7,9	7,6	7,2	6,6	5,8
165				7,5	7,2	6,8	6,2	5,4
180					6,1	5,7	5,1	4,4
185					5,8	5,4	4,8	
190						5,1	4,5	
200						4,5		

Main boom 76 ft

Radius (ft)	Jib length in (ft)							
	74 lbs	104 lbs	123 lbs	142 lbs	161 lbs	181 lbs	199 lbs	
82,4	20,9							
100	16,3	15,6						
110	14,3	13,8	13,3					
125		11,5	11,1	10,7				
135		10,3	9,9	9,5	8,8			
140		9,7	9,4	8,9	8,3			
145			8,9	8,4	7,9	7,1		
155			7,9	7,6	7,0	6,3	5,5	
160				7,1	6,6	5,9	5,2	
165				6,8	6,3	5,5	4,8	
170				6,4	5,9	5,2	4,5	
175				6,0	5,6	4,9		
180					5,3	4,6		
190					4,7			
195					4,5			

Main boom 95 ft

Radius (ft)	Jib length in (ft)					
	74 lbs	104 lbs	123 lbs	142 lbs	161 lbs	181 lbs
90,7	17,1					
110	13,3	12,5				
120	11,7	11,1	10,4			
130		9,9	9,3	8,4		
145		8,3	7,9	7,1	6,3	
155			7,1	6,3	5,6	4,8
160			6,7	5,9	5,2	4,5
165			6,3	5,6	4,9	
170				5,3	4,6	
185				4,4		

Main boom 115 ft

Radius (ft)	Jib length in (ft)				
	74 lbs	104 lbs	123 lbs	142 lbs	
99	13,5				
120	10,6	9,3			
125	10,0	8,7			
130		8,3	7,5		
140		7,4	6,6	5,8	
145		7,0	6,3	5,4	
150		6,6	5,9	5,1	
155		6,2	5,6	4,8	
160			5,2	4,4	
170			4,6		

Main boom 125 ft

Radius (ft)	Jib length in (ft)			
	74 lbs	104 lbs	123 lbs	142 lbs
103,2	11,8			
125	9,2	7,8		
130	8,7	7,4		
135		7,0	6,2	
145		6,2	5,5	4,6
160		5,2	4,5	

Main boom 135 ft

Radius (ft)	Jib length in (ft)		
	74 lbs	104 lbs	123 lbs
107,3	10,1		
125	8,2	6,8	
135	7,3	6,0	5,2
140		5,7	4,9
145		5,3	4,6
155		4,7	

Capacities in 1000 lbs with luffing jib (No. 1309.xx) 75,000 lbs counterweight + 38,600 lbs carbody counterweight. Above lift chart is for reference only. For actual lift duty and complete chart with all available configurations please refer to lift chart in operator's cab or manual.

Lift chart - luffing jib (No. 1309.xx)

TLT 11943097 M00000 V9

Main boom angle 45°, standard counterweight

Main boom 56 ft							
Radius (ft)	Jib length in (ft)						
	74 lbs	104 lbs	123 lbs	142 lbs	161 lbs		
107,5	13,8						
115	12,7						
135		9,5					
145		8,5					
147			7,9				
165			6,5	6,1			
180				5,1	4,7		
185				4,8	4,5		

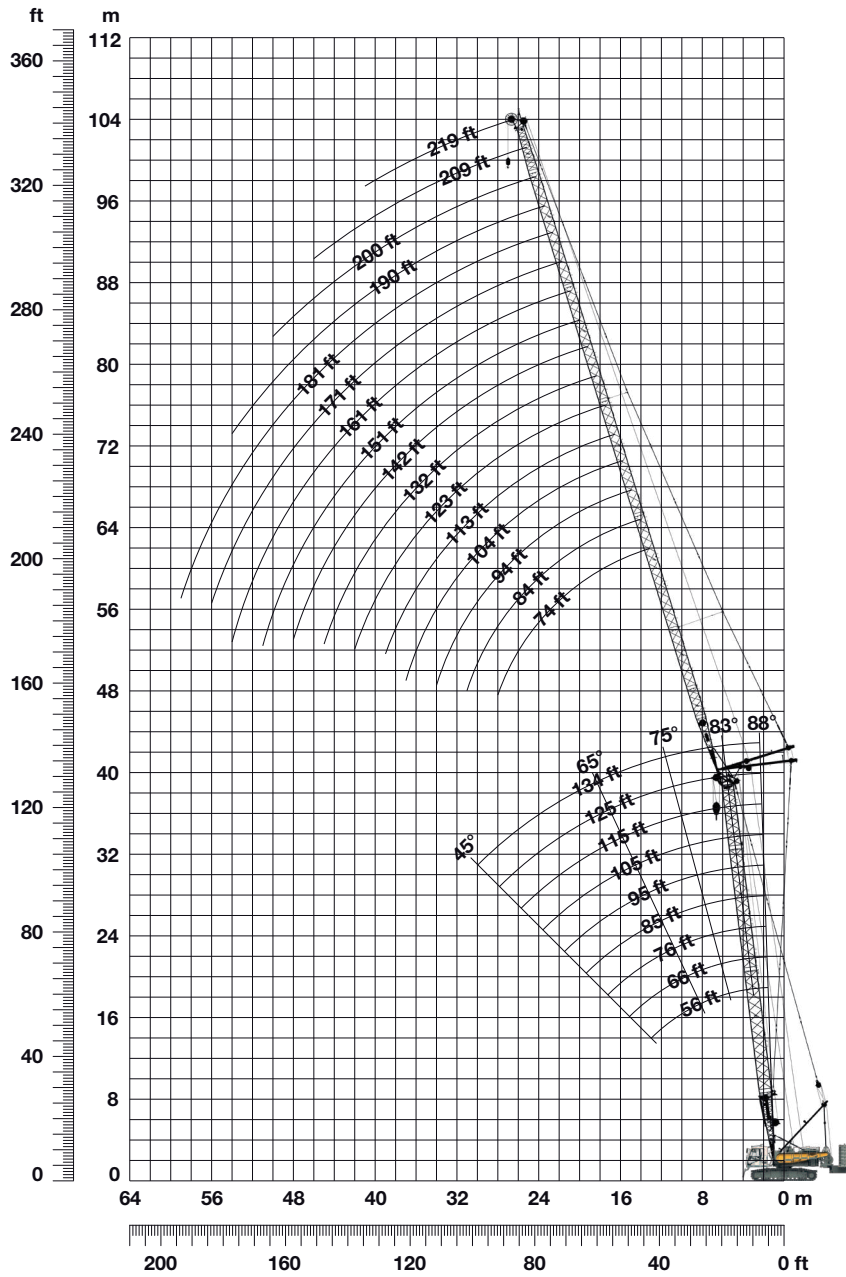
Main boom 76 ft						
Radius (ft)	Jib length in (ft)					
	74 lbs	104 lbs	123 lbs			
121,4	10,1					
130	9,1					
150		6,7				
160		5,9				
165			5,2			
175			4,6			
0						
0						

Main boom 95 ft							
Radius (ft)	Jib length in (ft)						
	74 lbs						
135,3	7,0						
140	6,7						
145	6,3						

Capacities in 1000 lbs with luffing jib (No. 1309.xx) 75,000 lbs counterweight + 38,600 lbs carbody counterweight. Above lift chart is for reference only. For actual lift duty and complete chart with all available configurations please refer to lift chart in operator's cab or manual.

Working range - luffing jib 78° - 15° (No. 1309.xx)

Main boom angle 88° - 45°, swinging counterweight 90°



Boom configuration for main boom lengths (46 ft - 134 ft) - see table on page 10

Jib configuration for jib lengths (74 ft - 219 ft)

Length	18 ft	Amount of luffing jib extensions															
		1	1	1	1	1	1	1	1	1	1	1	1	1	1	1	
Luffing jib foot	1	1	1	1	1	1	1	1	1	1	1	1	1	1	1	1	
Luffing jib insert	10 ft		1	1	1	1	1	1	1		1		1		1	1	
Luffing jib insert	20 ft			1	1	1	1	1	1			1	1			1	
Luffing jib insert	38 ft	1	1	1	1	2	2	2	2	3	3	3	3	4	4	4	
Luffing jib head	18 ft	1	1	1	1	1	1	1	1	1	1	1	1	1	1	1	
Luffing jib length (ft)		74	84	94	104	113	123	132	142	151	161	171	181	190	200	209	219

*Actual lengths of boom sections are metric (e.g. 3 m, 6 m, 5.5 m, 11.7 m). The figures shown above are approximate conversions to feet.

Lift chart - luffing jib (No. 1309.xx)

TLT 11943097 M00000 V9

Main boom angle 88°, swinging counterweight 90°

Main boom 56 ft

Radius (ft)	Jib length in (ft)							
	75 lbs	104 lbs	123 lbs	142 lbs	161 lbs	181 lbs	199 lbs	219 lbs
43,3					32,7			
45				38,9	32,8			
50			40,6	37,2	31,9	25,5		
55		39,4	37,5	34,4	30,9	24,8	21,3	
60		36,5	34,5	32,4	29,2	24,3	20,8	16,9
65	35,3	33,5	32,1	29,9	27,8	23,6	20,4	16,4
70	32,7	31,1	30,0	27,9	26,2	23,0	19,7	16,1
80	27,0	27,0	26,0	24,7	23,3	21,2	18,7	15,2
105		18,6	18,7	18,4	17,5	16,5	15,5	13,2
125			14,4	14,6	14,3	13,5	12,6	11,4
145				11,6	11,8	11,0	10,5	9,5
165					5,2	9,3	8,5	7,8
180						8,1	7,2	6,7
200							5,4	5,5
220								4,5

Main boom 76 ft

Radius (ft)	Jib length in (ft)							
	75 lbs	104 lbs	123 lbs	142 lbs	161 lbs	181 lbs	199 lbs	219 lbs
40,1					36,7			
45				39,4	35,1	30,0		
50		39,2	36,4	33,2	29,1	23,7		
55		36,1	34,1	30,9	28,2	23,1	19,8	
60	36,3	33,8	31,6	29,3	26,4	22,7	19,2	15,8
70	31,2	29,2	27,9	25,7	23,8	21,0	18,0	15,1
80	25,9	25,5	24,5	23,1	21,2	19,3	17,0	14,3
100		18,9	18,7	18,6	17,2	15,9	14,4	12,5
110		7,8	16,2	16,3	15,7	14,3	13,3	11,7
125			13,5	13,4	13,3	12,6	11,5	10,2
145				10,7	10,8	10,3	9,7	8,6
165					4,8	8,7	8,1	7,1
180						7,7	7,2	6,1
200							5,9	5,1
210								4,6

Main boom 95 ft

Radius (ft)	Jib length in (ft)							
	75 lbs	104 lbs	123 lbs	142 lbs	161 lbs	181 lbs	199 lbs	219 lbs
36,6			39,2					
45		39,9	36,7	31,4	26,4			
50		37,2	34,1	30,0	25,9	21,5		
55	38,2	34,6	32,4	28,2	24,8	21,2	17,9	
60	35,3	32,7	30,1	26,9	23,7	20,4	17,3	14,7
70	29,0	27,6	26,8	24,1	21,7	18,9	16,3	13,9
80	24,3	23,8	22,8	21,8	19,6	17,6	15,6	13,1
90		20,2	19,9	19,0	17,9	16,1	14,4	12,4
110		15,1	15,2	14,9	14,4	13,5	12,4	11,0
125			12,6	12,3	12,2	11,9	10,9	9,8
145				10,0	10,1	9,8	9,4	8,3
165					8,2	8,3	7,8	7,0
185						6,9	6,7	5,8
200							6,0	5,1
215								4,5

Main boom 115 ft

Radius (ft)	Jib length in (ft)							
	75 lbs	104 lbs	123 lbs	142 lbs	161 lbs	181 lbs	199 lbs	219 lbs
37,3			33,4					
40		38,3	33,4					
45	41,8	35,7	31,7	27,4				
50	38,8	33,6	29,6	26,1	22,7	19,0		
55	35,2	31,3	28,2	24,9	22,0	18,6	16,0	
60	32,3	29,5	26,4	23,9	21,3	18,0	15,5	13,1
70	26,8	24,9	23,7	21,6	19,8	16,8	14,7	12,4
80	22,8	21,5	20,5	19,7	17,7	15,6	13,8	11,8
110		14,2	14,0	13,5	12,9	12,0	11,2	9,9
125			11,8	11,4	11,1	10,6	9,9	8,9
145				9,3	9,2	8,9	8,7	7,7
165					7,6	7,5	7,3	6,6
185						6,3	6,3	5,7
200							5,6	5,1
215								4,6

Main boom 125 ft

Radius (ft)	Jib length in (ft)							
	75 lbs	104 lbs	123 lbs	142 lbs	161 lbs	181 lbs	199 lbs	219 lbs
33,8		35,8						
40		34,1	30,1					
45	38,7	32,5	28,8	25,1				
50	36,0	31,1	27,5	24,1	21,1	17,7		
55	33,1	29,0	26,4	23,1	20,4	17,5	14,8	
60	30,7	27,4	25,2	22,2	19,7	16,9	14,5	12,1
70	25,4	23,5	22,8	20,0	18,3	15,8	13,7	11,4
80	21,8	20,5	19,3	18,2	16,5	14,7	13,0	10,8
110		13,7	13,3	12,8	12,3	11,4	10,6	9,1
130			6,8	10,4	10,1	9,7	9,0	8,0
145				9,1	8,8	8,4	8,1	7,3
165					7,5	7,1	6,9	6,3
185						6,1	6,0	5,4
200							5,4	4,8
210								4,5

Main boom 135 ft

Radius (ft)	Jib length in (ft)					
	75 lbs	104 lbs	123 lbs	142 lbs	161 lbs	181 lbs
34,1		32,4				
40	37,7	31,2	27,4			
45	35,6	29,7	26,3	22,9		
50	33,4	28,3	25,4	22,1	19,2	
55	30,7	26,5	24,4	21,3	18,6	15,8
60	28,7	25,3	23,3	20,4	17,9	15,3
70	24,3	21,9	21,2	18,7	16,8	14,3
80	21,0	19,4	18,1	17,2	15,4	13,5
90		16,8	16,2	15,2	14,5	12,6
110		13,3	12,6	12,1	11,7	10,7
120			11,4	10,9	10,6	9,8
125			10,9	10,3	10,1	9,4
145				8,7	8,4	7,9
165					7,1	6,8
185						5,9

Capacities in 1000 lbs with luffing jib (No. 1309.xx) 75,000 lbs counterweight + 38,600 lbs carbody counterweight. Above lift chart is for reference only. For actual lift duty and complete chart with all available configurations please refer to lift chart in operator's cab or manual.

Lift chart - luffing jib (No. 1309.xx)

TLT 11943097 M00000 V9

Main boom angle 83°, swinging counterweight 90°

Main boom 56 ft

Radius (ft)	Jib length in (ft)							
	74 lbs	104 lbs	123 lbs	142 lbs	161 lbs	181 lbs	199 lbs	219 lbs
45	58,5							
50	52,4	49,6						
55	46,6	45,1	43,1					
60	41,9	40,9	39,6	36,7				
65	38,0	37,5	36,1	34,0	31,0			
70	34,7	34,2	33,6	31,8	29,4	23,7		
75	31,9	31,4	31,1	29,4	27,9	23,2	20,0	
80	29,4	29,0	28,7	27,6	26,0	22,7	19,7	15,7
85	27,2	26,9	26,6	25,9	24,5	21,9	19,3	15,4
115		11,6	18,0	17,7	17,4	16,3	15,7	13,7
130			15,3	15,0	14,6	14,2	13,2	12,0
150				12,0	11,9	11,5	10,9	10,0
170					6,2	9,4	9,0	8,2
185						8,1	7,7	7,1
205							5,9	5,9

Main boom 76 ft

Radius (ft)	Jib length in (ft)							
	74 lbs	104 lbs	123 lbs	142 lbs	161 lbs	181 lbs	199 lbs	219 lbs
38,9	62,0							
50	49,8	45,9						
55	45,5	42,2	39,6					
60	41,4	38,8	36,7	33,3				
65	37,6	36,2	34,2	31,7	28,3			
70	34,3	33,5	31,7	29,8	27,3	22,3		
80	29,1	28,7	27,9	26,2	24,5	21,6	18,5	
85	27,0	26,6	26,1	24,9	23,1	21,1	18,2	14,6
115		18,0	17,8	17,4	17,0	15,6	14,6	12,6
135			7,7	14,0	13,6	12,9	12,1	10,8
150				12,0	11,7	11,1	10,6	9,5
170					9,6	9,2	8,8	7,9
190						7,6	7,3	6,5
205							6,3	5,7
225								4,6

Main boom 95 ft

Radius (ft)	Jib length in (ft)							
	74 lbs	104 lbs	123 lbs	142 lbs	161 lbs	181 lbs	199 lbs	219 lbs
41,3	57,5							
50	48,6	43,7						
60	40,7	38,3	35,7					
65	37,1	35,3	33,8	30,4				
70	33,9	32,8	31,5	28,8	26,0			
75	31,1	30,6	29,4	27,4	24,8	20,5		
80	28,7	28,2	27,5	25,8	23,9	20,1	17,2	
85	26,6	26,2	25,8	24,5	22,6	19,7	16,9	13,6
90	24,7	24,4	24,0	23,2	21,5	19,1	16,7	13,5
115		17,8	17,5	17,1	16,7	15,5	14,3	12,1
135			14,0	13,7	13,4	12,8	12,0	10,6
155				11,2	10,9	10,5	9,8	9,1
170					9,4	9,0	8,5	7,7
190						7,4	7,0	6,3
210							5,8	5,0

Main boom 115 ft

Radius (ft)	Jib length in (ft)							
	74 lbs	104 lbs	123 lbs	142 lbs	161 lbs	181 lbs	199 lbs	219 lbs
43,7	50,4							
55	41,9	37,8						
60	38,6	36,2	31,9					
65	35,7	33,5	30,9	26,6				
70	33,2	31,1	29,8	26,1	22,4			
75	30,7	29,0	27,9	25,5	22,2	18,5		
85	26,2	25,5	24,5	23,4	21,1	17,9	15,2	
90	24,4	24,0	23,0	22,0	20,3	17,6	14,9	12,4
100		21,0	20,5	19,5	18,7	16,6	14,4	12,0
120		16,5	16,2	15,8	15,0	14,1	13,1	10,9
140			6,9	12,8	12,2	11,4	10,7	9,8
155				10,9	10,6	9,9	9,1	8,4
175					8,7	8,1	7,5	6,7
195						6,8	6,1	5,4
210							5,2	4,6

Main boom 125 ft

Radius (ft)	Jib length in (ft)							
	74 lbs	104 lbs	123 lbs	142 lbs	161 lbs	181 lbs	199 lbs	219 lbs
44,9	43,1							
55	39,3	33,2						
60	37,4	31,8	28,2					
65	34,7	30,5	27,4	23,8				
75	30,2	28,0	25,3	22,5	19,7			
80	28,1	26,4	24,3	21,8	19,1	16,5		
85	26,0	24,8	23,3	21,0	18,6	16,1	13,7	
90	24,2	23,3	22,3	20,4	18,0	15,7	13,5	11,1
120		16,3	16,1	15,3	14,5	13,1	11,7	9,8
140			12,6	12,6	11,9	11,0	10,3	8,8
160				4,9	9,8	9,0	8,4	7,6
175					8,6	7,8	7,2	6,4
195						6,5	5,8	5,1
205							5,2	4,5
210							5,0	

Main boom 135 ft

Radius (ft)	Jib length in (ft)					
	74 lbs	104 lbs	123 lbs	142 lbs	161 lbs	181 lbs
46,1	38,2					
55	35,4	29,4				
65	32,0	27,3	24,7			
70	30,6	26,2	23,8	20,7		
75	29,1	25,2	22,9	20,0	17,7	
80	27,5	23,9	22,0	19,4	17,1	14,7
90	24,0	22,0	20,1	18,0	16,0	13,9
95	22,4	20,8	19,3	17,4	15,5	13,6
110		17,9	16,8	15,5	14,1	12,5
120		15,8	15,3	14,3	13,2	11,6
130			13,8	13,1	12,3	10,9
140			12,3	12,1	11,4	10,3
160				9,8	9,5	8,7
175					8,3	7,5
195						6,2

Capacities in 1000 lbs with luffing jib (No. 1309.xx) 75,000 lbs counterweight + 38,600 lbs carbody counterweight. Above lift chart is for reference only. For actual lift duty and complete chart with all available configurations please refer to lift chart in operator's cab or manual.

Lift chart - luffing jib (No. 1309.xx)

TLT 11943097 M00000 V9

Main boom angle 75°, swinging counterweight 90°

Main boom 56 ft

Radius (ft)	Jib length in (ft)							
	74 lbs	104 lbs	123 lbs	142 lbs	161 lbs	181 lbs	199 lbs	219 lbs
53,9	45,7							
70	33,2	32,6						
75	30,5	29,9	29,5					
85	26,1	25,6	25,3	24,8				
90	24,3	23,9	23,5	23,1				
95		22,3	21,9	21,5	21,1			
100		20,9	20,5	20,1	19,7	19,3		
110		18,4	18,1	17,7	17,4	16,9	16,4	
115		17,4	17,1	16,7	16,3	15,9	15,5	13,3
120		16,4	16,1	15,8	15,4	15,0	14,6	13,3
140			11,7	12,7	12,3	11,9	11,6	11,1
155				10,9	10,6	10,2	9,8	9,4
175					8,7	8,3	8,0	7,6
195						6,8	6,5	6,1
215							5,3	4,9

Main boom 76 ft

Radius (ft)	Jib length in (ft)							
	74 lbs	104 lbs	123 lbs	142 lbs	161 lbs	181 lbs	199 lbs	219 lbs
59	39,6							
75	29,5	28,9						
80	27,3	26,6	26,2					
90	23,6	23,0	22,6	22,2				
95	22,0	21,5	21,1	20,7				
100		20,1	19,8	19,3	18,8			
105		18,9	18,6	18,1	17,7	16,8		
115		16,8	16,4	16,0	15,6	15,0	14,2	
125		14,9	14,7	14,3	13,9	13,4	12,6	11,7
145			10,7	11,5	11,2	10,8	10,2	9,4
165				9,3	9,1	8,7	8,2	7,5
180					7,9	7,5	7,1	6,3
200						6,1	5,7	5,0
210							5,2	4,5
220							4,6	

Main boom 95 ft

Radius (ft)	Jib length in (ft)							
	74 lbs	104 lbs	123 lbs	142 lbs	161 lbs	181 lbs	199 lbs	219 lbs
64,1	34,5							
80	26,4	25,6						
85	24,5	23,8	22,9					
95	21,2	20,7	20,3	19,3				
100	19,9	19,3	19,0	18,1				
105		18,2	17,8	17,1	16,2			
110		17,1	16,7	16,2	15,3	14,3		
120		15,2	14,9	14,4	13,7	12,8	12,0	
130		13,6	13,3	12,9	12,3	11,5	10,7	9,9
140			11,9	11,6	11,1	10,3	9,6	8,8
150			10,7	10,4	10,1	9,3	8,6	7,8
170				8,4	8,2	7,6	6,9	6,1
185					7,0	6,5	5,8	5,1
195						5,9	5,2	4,5
205						5,3	4,6	

Main boom 115 ft

Radius (ft)	Jib length in (ft)							
	74 lbs	104 lbs	123 lbs	142 lbs	161 lbs	181 lbs	199 lbs	219 lbs
69,2	29,4							
85	23,5	22,0						
90	21,9	20,6	19,6					
100	19,1	18,4	17,4	16,4				
105	17,9	17,3	16,5	15,5				
110		16,3	15,6	14,6	13,8			
115		15,4	14,8	13,8	13,0	12,0		
125		13,7	13,3	12,4	11,6	10,8	10,0	
135		12,2	12,0	11,2	10,4	9,6	8,8	8,0
150			10,2	9,7	8,9	8,1	7,4	6,6
155			9,7	9,2	8,5	7,7	7,0	6,2
175				6,7	7,0	6,2	5,5	4,7
180					6,6	5,9	5,2	4,4
190					6,0	5,3	4,6	
205						4,4		

Main boom 125 ft

Radius (ft)	Jib length in (ft)							
	74 lbs	104 lbs	123 lbs	142 lbs	161 lbs	181 lbs	199 lbs	219 lbs
71,7	27,1							
85	22,8	20,9						
95	20,0	18,6	17,6					
105	17,5	16,6	15,7	14,7				
110	16,4	15,7	14,8	13,9	13,0			
120		14,1	13,3	12,4	11,6	10,7		
125		13,3	12,6	11,8	11,0	10,1	9,2	
135		11,9	11,4	10,6	9,8	9,0	8,2	7,4
140		8,2	10,9	10,1	9,3	8,5	7,7	6,9
150			9,9	9,1	8,4	7,6	6,8	6,0
155			9,4	8,7	7,9	7,1	6,4	5,6
170				7,5	6,8	6,0	5,3	4,6
175				7,2	6,5	5,7	5,0	
180					6,1	5,4	4,7	
195					5,1	4,5		

Main boom 135 ft

Radius (ft)	Jib length in (ft)						
	74 lbs	104 lbs	123 lbs	142 lbs	161 lbs	181 lbs	
74,2	25,0						
90	20,4	18,7					
95	19,2	17,6	16,6				
105	17,1	15,7	14,8	13,8			
110	16,0	14,9	14,0	13,1			
115		14,1	13,3	12,3	11,5		
120		13,4	12,6	11,7	10,8	9,9	
130		12,1	11,3	10,5	9,7	8,8	
140		11,0	10,3	9,4	8,7	7,8	
150			9,3	8,5	7,8	7,0	
160			8,5	7,7	7,0	6,2	
170				7,0	6,3	5,5	
180				6,0	5,6	4,9	
185					5,3	4,6	
195					4,8		

Capacities in 1000 lbs with luffing jib (No. 1309.xx) 75,000 lbs counterweight + 38,600 lbs carbody counterweight. Above lift chart is for reference only. For actual lift duty and complete chart with all available configurations please refer to lift chart in operator's cab or manual.

Lift chart - luffing jib (No. 1309.xx)

TLT 11943097 M00000 V9

Main boom angle 65°, swinging counterweight 90°

Main boom 56 ft

Radius (ft)	Jib length in (ft)							
	74 lbs	104 lbs	123 lbs	142 lbs	161 lbs	181 lbs	199 lbs	219 lbs
74,1	29,2							
95	21,4	20,8						
100	20,1	19,5						
105		18,3	17,9					
115		16,3	15,9	15,5				
125		14,5	14,2	13,8	13,3			
130		13,7	13,4	13,0	12,6			
135			12,7	12,3	11,9	11,4		
150			10,9	10,5	10,2	9,7	9,3	
160				9,5	9,2	8,7	8,4	7,7
165				9,1	8,7	8,3	7,9	7,3
180					7,5	7,1	6,7	6,1
185					7,1	6,8	6,4	5,8
205						5,5	5,1	4,6
215							4,6	

Main boom 76 ft

Radius (ft)	Jib length in (ft)							
	74 lbs	104 lbs	123 lbs	142 lbs	161 lbs	181 lbs	199 lbs	219 lbs
82,4	24,1							
100	18,9	18,2						
105	17,8	17,1						
110	16,7	16,1	15,6					
125		13,5	13,2	12,7				
135		12,1	11,8	11,4	10,9			
140		11,5	11,2	10,8	10,3			
145			10,6	10,2	9,8	9,2		
155			9,6	9,2	8,8	8,2	7,5	
170				7,9	7,5	7,0	6,3	5,5
175				7,5	7,1	6,6	6,0	5,2
185					6,4	6,0	5,3	4,5
195					5,8	5,4	4,7	
200						5,1	4,4	
210						4,6		

Main boom 95 ft

Radius (ft)	Jib length in (ft)						
	74 lbs	104 lbs	123 lbs	142 lbs	161 lbs	181 lbs	199 lbs
90,7	20,0						
110	15,6	14,9					
120	13,8	13,2	12,8				
130		11,8	11,4	10,7			
145		10,1	9,7	9,2	8,4		
155			8,7	8,3	7,6	6,7	
165			7,9	7,5	6,8	6,0	5,3
170				7,1	6,4	5,6	4,9
175				6,7	6,1	5,3	4,6
185				6,0	5,5	4,7	
190					5,2	4,4	
200					4,7		

Main boom 115 ft

Radius (ft)	Jib length in (ft)					
	74 lbs	104 lbs	123 lbs	142 lbs	161 lbs	181 lbs
99	16,4					
120	12,7	11,8				
125	12,0	11,2				
130		10,6	9,8			
140		9,6	8,8	8,0		
150		8,6	8,0	7,1	6,3	
155		8,1	7,6	6,7	6,0	
160			7,2	6,4	5,6	4,8
165			6,8	6,0	5,3	4,5
175			6,2	5,4	4,7	
180				5,1		
190				4,6		

Main boom 125 ft

Radius (ft)	Jib length in (ft)				
	74 lbs	104 lbs	123 lbs	142 lbs	161 lbs
103,2	14,7				
125	11,5	10,3			
130	10,8	9,7			
135		9,2	8,4		
145		8,3	7,6	6,7	
155		7,5	6,8	6,0	5,2
160		7,1	6,4	5,6	4,9
165			6,1	5,3	4,6
175			5,5	4,7	
180				4,4	

Main boom 135 ft

Radius (ft)	Jib length in (ft)			
	74 lbs	104 lbs	123 lbs	142 lbs
107,3	12,9			
125	10,7	9,2		
130	10,1	8,8		
135	9,6	8,3	7,4	
150		7,1	6,3	5,5
160		6,4	5,6	4,8
165		6,0	5,3	4,5
170			5,0	
175			4,7	
180			4,5	

Capacities in 1000 lbs with luffing jib (No. 1309.xx) 75,000 lbs counterweight + 38,600 lbs carbody counterweight. Above lift chart is for reference only. For actual lift duty and complete chart with all available configurations please refer to lift chart in operator's cab or manual.

Lift chart - luffing jib (No. 1309.xx)

TLT 11943097 M00000 V9

Main boom angle 45°, swinging counterweight 90°

Main boom 56 ft

Radius (ft)	Jib length in (ft)					
	74 lbs	104 lbs	123 lbs	142 lbs	161 lbs	181 lbs
107,5	16,2					
115	14,9					
135		11,4				
145		10,2				
147			9,6			
165			8,0	7,6		
180				6,5	6,1	
185				6,2	5,8	
195					5,2	4,7
200					4,9	4,5

Main boom 76 ft

Radius (ft)	Jib length in (ft)			
	74 lbs	104 lbs	123 lbs	142 lbs
121,4	12,2			
130	11,1			
150		8,3		
160		7,5		
165			6,7	
170			6,4	
180			5,7	5,3
185				5,0
190				4,7
195				4,5

Main boom 95 ft

Radius (ft)	Jib length in (ft)		
	74 lbs	104 lbs	123 lbs
135,3	8,9		
145	8,0		
160		6,1	
170		5,5	
175		5,2	4,6

Main boom 115 ft

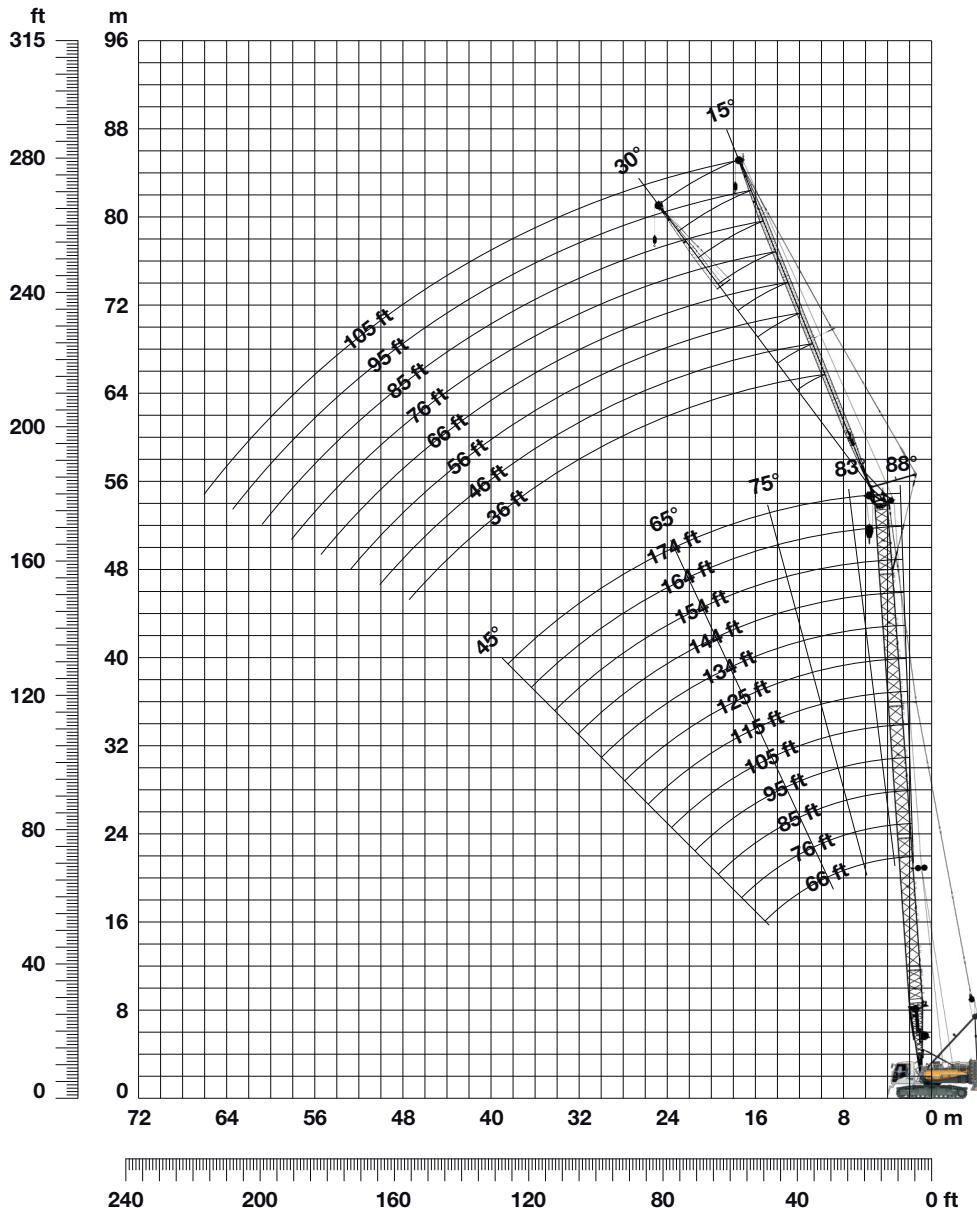
Radius (ft)	Jib length in (ft)			
	74 lbs			
149,3	6,0			
150	6,0			
155	5,7			
160	5,3			

Capacities in 1000 lbs with luffing jib (No. 1309.xx) 75,000 lbs counterweight + 38,600 lbs carbody counterweight. Above lift chart is for reference only. For actual lift duty and complete chart with all available configurations please refer to lift chart in operator's cab or manual.

Working range - fixed jib 15° and 30°

(No. 0806.xx)

Main boom 88° – 45°



Boom configuration for boom lengths (66 ft – 194 ft) – see table 1 on page 10

Fixed jib configuration for fixed jib lengths (36 ft – 105 ft)

	Length	Amount of fixed jib extensions							
Fixed jib foot	18 ft	1	1	1	1	1	1	1	1
Fixed jib insert	10 ft		1		1		1		1
Fixed jib insert	20 ft			1	1	2	2	3	3
Fixed jib head	18 ft	1	1	1	1	1	1	1	1
Fixed jib length (ft)		36	46	56	66	76	85	95	105

*Actual lengths of boom sections are metric (e.g. 3 m, 6 m, 5.5 m). The figures shown above are approximate conversions to feet.

Lift chart - fixed jib (No. 0806.xx)

TLT 11943097 M00000 V9

Offset 15°, standard counterweight

Main boom 66 ft

Radius	Fixed jib length in (ft)			
	36	66	85	105
(ft)	lbs	lbs	lbs	lbs
16,6	53,0			
30	53,0	35,8		
40	53,0	33,9	19,8	
45	51,7	32,0	18,9	13,4
60	35,5	29,9	16,6	12,4
80	24,3	25,3	14,1	11,3
95	19,2	20,1	12,6	10,7
120		14,4	10,8	9,9
125		13,6	10,5	9,7
140			9,9	9,4
145			9,7	9,4
165				9,2

Main boom 85 ft

Radius	Fixed jib length in (ft)			
	36	66	85	105
(ft)	lbs	lbs	lbs	lbs
17,3	53,0			
30	53,0	34,7		
35	53,0	34,0		
40	53,0	33,0	19,6	
45	51,3	32,3	19,0	13,2
60	35,1	30,6	16,9	12,4
80	23,8	24,8	14,6	11,4
100	17,3	18,3	12,8	10,7
115	14,0	14,9	11,8	10,2
145		10,2	10,3	9,5
160			9,0	9,2
180				7,5

Main boom 95 ft

Radius	Fixed jib length in (ft)			
	36	66	85	105
(ft)	lbs	lbs	lbs	lbs
17,7	53,0			
30	53,0	34,1		
40	53,0	32,8	19,5	
50	44,4	31,7	18,3	12,9
70	28,2	28,5	16,0	11,9
80	23,5	24,6	14,8	11,5
100	17,0	18,0	13,1	10,7
120	12,8	13,7	11,8	10,0
140		10,6	10,7	9,6
150		9,4	9,8	9,4
170			7,8	8,1
190				6,4

Main boom 105 ft

Radius	Fixed jib length in (ft)			
	36	66	85	105
(ft)	lbs	lbs	lbs	lbs
18	53,0			
30	53,0	33,1		
40	53,0	32,5	19,5	
50	44,2	31,4	18,2	12,8
60	34,6	30,5	17,1	12,3
80	23,3	24,4	15,0	11,5
100	16,8	17,8	13,4	10,7
120	12,5	13,4	12,1	10,1
130	10,9	11,8	11,5	9,8
160		8,1	8,5	8,8
180			6,7	7,0
200				5,5

Main boom 125 ft

Radius	Fixed jib length in (ft)			
	36	66	85	105
(ft)	lbs	lbs	lbs	lbs
18,7	50,5			
35	50,5	32,9		
40	50,5	32,1	19,1	
50	42,5	30,5	18,1	12,6
60	34,1	28,7	17,2	12,2
80	22,8	24,0	15,4	11,4
100	16,3	17,3	13,9	10,7
120	12,0	13,0	12,5	10,2
145	8,4	9,3	9,7	9,6
175		6,2	6,6	6,9
195			5,1	5,4
205				4,7

Main boom 144 ft

Radius	Fixed jib length in (ft)			
	36	66	85	105
(ft)	lbs	lbs	lbs	lbs
19,4	46,1			
35	46,1	29,9		
40	46,1	29,6	19,3	
50	40,6	28,9	17,9	12,4
60	32,9	27,4	17,1	12,0
80	22,3	23,6	15,6	11,3
100	15,7	16,8	14,1	10,7
140	8,5	9,4	9,8	9,7
165	5,8	6,6	7,0	7,4
190		4,5	4,9	5,3
195			4,6	4,9
200				4,6

Main boom 164 ft

Radius	Fixed jib length in (ft)			
	36	66	85	105
(ft)	lbs	lbs	lbs	lbs
20,1	41,8			
35	41,8	28,1		
40	41,8	27,9	18,5	
50	38,7	27,2	18,1	12,1
60	31,3	25,7	16,8	11,8
80	21,7	22,3	15,5	11,2
100	15,2	16,4	14,1	10,6
140	8,0	8,9	9,4	9,6
170	4,8	5,6	6,1	6,3
180		4,8	5,2	5,5
185			4,8	5,1
190				4,7

Main boom 174 ft

Radius	Fixed jib length in (ft)			
	36	66	85	105
(ft)	lbs	lbs	lbs	lbs
20,4	39,7			
35	39,7	27,1		
45	39,0	26,6	18,1	
50	37,7	26,1	17,7	11,9
60	30,5	25,0	16,6	11,6
80	21,1	21,8	15,3	11,1
100	15,0	15,9	14,1	10,6
140	7,7	8,5	8,9	9,1
170	4,5	5,3	5,6	5,9
175		4,8	5,2	5,4
180			4,8	5,0
185				4,6

Main boom 194 ft

Radius	Fixed jib length in (ft)			
	36	46	56	66
(ft)	lbs	lbs	lbs	lbs
21,1	35,8			
30	35,7	31,4	27,5	
35	35,5	31,3	27,4	24,3
40	35,4	31,2	27,3	24,3
50	34,4	31,0	27,1	23,8
60	29,0	29,2	26,0	23,2
80	19,8	20,2	20,5	20,4
100	13,8	14,2	14,5	14,8
120	9,7	10,0	10,3	10,5
140	6,8	7,0	7,3	7,5
160	4,5	4,8	5,1	5,3
165			4,6	4,8

Capacities in metric tonnes with fixed jib (No. 0806.xx), 75,000 lbs counterweight + 38,600 lbs carbody counterweight. Above lift chart is for reference only. For actual lift duty and complete chart with all available configurations please refer to lift chart in operator's cab or manual.

Lift chart - fixed jib (No. 0806.xx)

TLT 11943097 M00000 V9

Offset 30°, standard counterweight

Main boom 66 ft

Radius (ft)	Fixed jib length in (ft)			
	36 lbs	66 lbs	85 lbs	105 lbs
25,4	53,0			
45	51,0	29,0		
60	36,1	26,2	14,0	
70	29,5	24,1	13,0	11,0
80	24,6	22,4	12,1	10,7
90	20,9	20,8	11,3	10,3
100	17,9	19,2	10,8	10,1
120		14,7	9,9	9,7
130		12,8	9,5	9,5
145			9,4	9,5
150				9,5
165				9,4

Main boom 85 ft

Radius (ft)	Fixed jib length in (ft)			
	36 lbs	66 lbs	85 lbs	105 lbs
26,1	52,9			
45	47,3	28,4		
60	35,8	26,8	14,0	
70	29,1	24,9	13,2	10,6
80	24,3	23,2	12,4	10,2
90	20,5	21,8	11,7	9,9
100	17,6	18,8	11,1	9,7
115	14,1	15,3	10,4	9,4
120		14,3	10,2	9,3
145		10,4	9,5	9,3
165			8,6	9,1
185				7,1

Main boom 95 ft

Radius (ft)	Fixed jib length in (ft)			
	36 lbs	66 lbs	85 lbs	105 lbs
26,4	50,0			
45	45,8	28,1		
60	35,6	26,2	14,0	
70	28,9	24,5	13,2	10,9
80	24,0	23,1	12,4	10,6
90	20,3	21,6	11,8	10,3
100	17,3	18,6	11,3	10,1
120	12,9	14,1	10,3	9,7
125	12,0	13,2	10,2	9,6
155		8,9	9,4	9,4
175			7,4	7,9
190				6,6

Main boom 105 ft

Radius (ft)	Fixed jib length in (ft)			
	36 lbs	66 lbs	85 lbs	105 lbs
26,7	47,5			
50	43,0	26,9		
60	35,4	24,9	14,1	
70	28,7	23,7	13,2	10,8
80	23,8	22,3	12,5	10,6
90	20,1	21,1	12,0	10,3
100	17,1	18,5	11,4	10,1
120	12,7	13,9	10,5	9,8
130	11,0	12,2	10,1	9,6
160		8,2	8,8	9,3
180			6,8	7,3
200				5,6

Main boom 125 ft

Radius (ft)	Fixed jib length in (ft)			
	36 lbs	66 lbs	85 lbs	105 lbs
27,4	43,0			
50	40,9	25,5		
60	35,1	23,7	14,0	
75	25,7	22,0	13,0	10,6
80	23,4	21,6	12,7	10,5
100	16,7	18,1	11,6	10,0
120	12,3	13,5	10,8	9,7
140	9,2	10,3	10,1	9,4
150	7,9	9,0	9,6	9,3
180		5,9	6,5	7,0
200			4,8	5,3
210				4,6

Main boom 144 ft

Radius (ft)	Fixed jib length in (ft)			
	36 lbs	66 lbs	85 lbs	105 lbs
28,1	38,7			
50	37,5	24,0		
60	34,1	22,3	13,8	
75	25,3	21,0	13,0	10,4
100	16,3	17,7	11,8	10,0
120	11,9	13,1	11,0	9,6
140	8,7	9,9	10,3	9,4
160	6,4	7,4	8,0	8,6
165	5,9	6,9	7,5	8,0
190		4,7	5,2	5,7
200			4,5	5,0
205				4,6

Main boom 164 ft

Radius (ft)	Fixed jib length in (ft)			
	36 lbs	66 lbs	85 lbs	105 lbs
28,8	35,0			
50	34,7	22,8		
60	32,6	21,2	13,5	
75	24,7	19,8	12,9	10,3
100	15,8	17,4	11,8	9,9
120	11,4	12,8	11,0	9,6
140	8,3	9,5	10,1	9,5
160	6,0	7,0	7,7	8,2
175	4,5	5,5	6,1	6,7
185		4,7	5,3	5,8
195			4,5	4,9
200				4,5

Main boom 174 ft

Radius (ft)	Fixed jib length in (ft)			
	36 lbs	66 lbs	85 lbs	105 lbs
29,1	33,2			
50	33,2	21,6		
60	31,3	20,6	13,4	
75	24,1	19,1	12,8	10,1
100	15,6	17,0	11,8	9,8
120	11,2	12,6	11,1	9,7
140	8,0	9,3	9,9	9,4
160	5,7	6,8	7,4	7,8
170	4,7	5,8	6,3	6,8
180		4,8	5,4	5,8
190			4,5	5,0
195				4,6

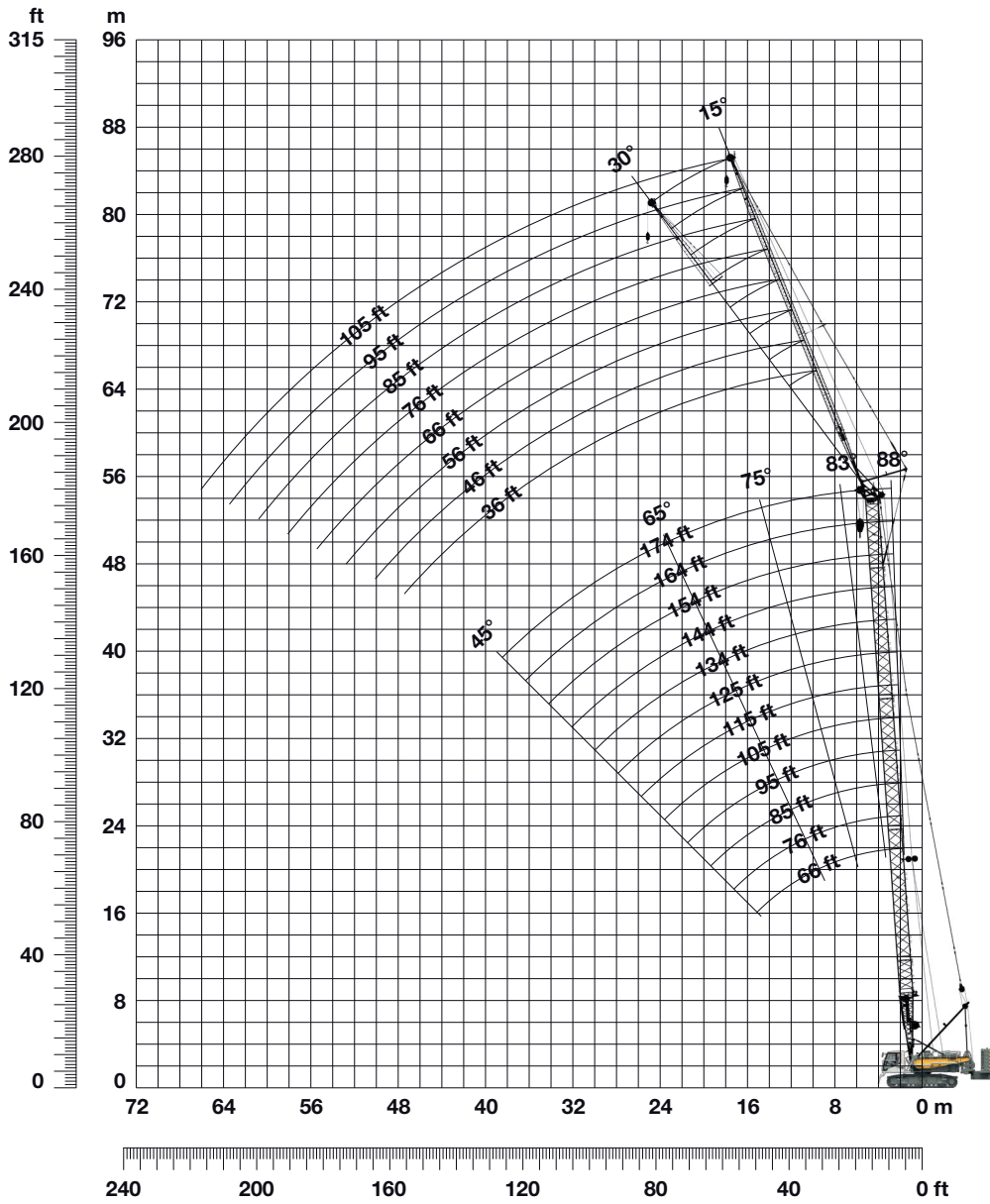
Main boom 194 ft

Radius (ft)	Fixed jib length in (ft)			
	36 lbs	46 lbs	56 lbs	66 lbs
29,8	29,9			
40	29,4	26,3		
45	29,3	26,3	22,8	
50	29,3	26,0	22,4	19,5
80	20,9	21,5	20,3	18,2
100	14,6	15,2	15,7	16,1
120	10,3	10,8	11,2	11,6
140	7,2	7,6	8,0	8,4
160	4,9	5,3	5,6	5,9
165		4,7	5,1	5,4
170			4,6	4,9
175				4,5

Capacities in metric tonnes with fixed jib (No. 0806.xx), 75,000 lbs counterweight + 38,600 lbs carbody counterweight. Above lift chart is for reference only. For actual lift duty and complete chart with all available configurations please refer to lift chart in operator's cab or manual.

Working range - fixed jib 15° and 30° (No. 0806.xx)

Main boom 88° – 45°, swinging counterweight 90°



Boom configuration for boom lengths (66 ft – 194 ft) – see table 1 on page 10

Fixed jib configuration for fixed jib lengths (36 ft – 105 ft)

	Length	Amount of fixed jib extensions							
Fixed jib foot	18 ft	1	1	1	1	1	1	1	1
Fixed jib insert	10 ft		1		1		1		1
Fixed jib insert	20 ft			1	1	2	2	3	3
Fixed jib head	18 ft	1	1	1	1	1	1	1	1
Fixed jib length (m)		36	46	56	66	76	85	95	105

*Actual lengths of boom sections are metric (e.g. 3 m, 6 m, 5.5 m). The figures shown above are approximate conversions to feet.

Lift chart - fixed jib (No. 0806.xx)

TLT 11943097 M00000 V9

Offset 15°, swinging counterweight 90°

Main boom 66 ft

Radius	Fixed jib length in (ft)			
	36	66	85	105
(ft)	lbs	lbs	lbs	lbs
55	44,8			
65	36,2	29,7		
70	32,9	28,5	15,2	
75	30,0	27,1	14,6	11,6
80	27,6	26,0	14,1	11,3
90	23,6	23,9	13,0	10,9
95	21,9	22,8	12,6	10,7
100		21,3	12,2	10,5
120		16,6	10,8	9,9
125		15,6	10,5	9,7
145			9,7	9,4
165				9,3

Main boom 85 ft

Radius	Fixed jib length in (ft)			
	36	66	85	105
(ft)	lbs	lbs	lbs	lbs
50	50,2			
60	39,6	30,6		
65	35,7	29,8	16,4	
70	32,4	29,2	15,8	11,8
80	27,1	27,2	14,6	11,4
90	23,1	24,0	13,7	11,0
100	19,9	20,9	12,8	10,7
110	17,3	18,3	12,1	10,3
115	16,2	17,1	11,8	10,2
145		12,0	10,3	9,5
160			9,8	9,2
180				8,9

Main boom 95 ft

Radius	Fixed jib length in (ft)			
	36	66	85	105
(ft)	lbs	lbs	lbs	lbs
45	53,0			
55	44,1	31,2		
60	39,4	30,5	17,0	
65	35,4	29,4	16,5	12,1
70	32,1	28,5	16,0	11,9
80	26,8	26,8	14,8	11,5
100	19,6	20,6	13,1	10,7
120	14,9	15,8	11,8	10,0
130		14,0	11,2	9,8
150		11,1	10,3	9,4
170			9,2	9,1
190				7,7

Main boom 105 ft

Radius	Fixed jib length in (ft)			
	36	66	85	105
(ft)	lbs	lbs	lbs	lbs
45	53,0			
55	43,9	30,9		
60	39,1	30,5	17,1	
65	35,2	29,2	16,6	12,1
80	26,6	26,5	15,0	11,5
100	19,4	20,4	13,4	10,7
120	14,7	15,6	12,1	10,1
130	12,9	13,8	11,5	9,8
140		12,2	11,0	9,6
160		9,6	10,0	9,2
180			8,1	8,4
200				6,7

Main boom 125 ft

Radius	Fixed jib length in (ft)			
	36	66	85	105
(ft)	lbs	lbs	lbs	lbs
40	50,5			
50	48,5	30,5		
55	43,5	29,5	17,7	
60	38,7	28,7	17,2	12,2
80	26,1	25,6	15,4	11,4
100	18,9	19,9	13,9	10,7
120	14,2	15,1	12,5	10,2
140	10,9	11,7	11,5	9,7
145	10,2	11,0	11,3	9,6
175		7,6	8,1	8,4
195			6,3	6,7
215				5,3

Main boom 144 ft

Radius	Fixed jib length in (ft)			
	36	66	85	105
(ft)	lbs	lbs	lbs	lbs
35	46,1			
45	46,1	29,2		
50	46,1	28,9	17,9	
55	41,7	28,2	17,4	12,2
80	25,6	24,8	15,6	11,3
100	18,3	19,4	14,1	10,7
120	13,6	14,6	13,0	10,2
140	10,3	11,2	11,6	9,7
165	7,3	8,1	8,6	8,9
195		5,4	5,9	6,2
215			4,4	4,8
220				4,5

Main boom 164 ft

Radius	Fixed jib length in (ft)			
	36	66	85	105
(ft)	lbs	lbs	lbs	lbs
35	41,8			
45	40,6	27,6		
50	39,6	27,2	18,1	
55	38,9	26,8	17,4	12,0
80	25,1	22,3	15,5	11,2
100	17,8	19,0	14,1	10,6
140	9,8	10,7	11,2	9,7
160	7,3	8,2	8,6	9,0
180	5,4	6,2	6,6	7,0
200		4,6	5,0	5,3
205			4,6	5,0
210				4,6

Main boom 174 ft

Radius	Fixed jib length in (ft)			
	36	66	85	105
(ft)	lbs	lbs	lbs	lbs
35	39,7			
45	39,0	26,6		
50	38,1	26,1	17,7	
55	37,4	25,7	17,2	11,8
80	24,7	22,3	15,3	11,1
100	17,6	18,7	14,1	10,6
140	9,5	10,4	11,0	9,6
160	7,0	7,9	8,4	8,7
185	4,7	5,5	5,9	6,2
195		4,7	5,1	5,4
200			4,7	5,1
205				4,7

Main boom 194 ft

Radius	Fixed jib length in (ft)			
	36	46	56	66
(ft)	lbs	lbs	lbs	lbs
30	35,7			
35	35,5	31,3		
40	35,4	31,2	27,3	24,3
50	34,4	31,0	27,1	23,8
60	33,2	29,2	26,0	23,2
80	23,4	23,8	23,4	20,4
100	16,8	17,1	17,5	17,7
120	12,2	12,5	12,8	13,0
140	8,9	9,2	9,4	9,6
160	6,5	6,7	6,9	7,1
180	4,4	4,7	5,0	5,2
185			4,5	4,7

Capacities in metric tonnes with fixed jib (No. 0806.xx), 75,000 lbs counterweight + 38,600 lbs carbody counterweight. Above lift chart is for reference only. For actual lift duty and complete chart with all available configurations please refer to lift chart in operator's cab or manual.

Lift chart - fixed jib (No. 0806.xx)

TLT 11943097 M00000 V9

Offset 30°, swinging counterweight 90°

Main boom 66 ft

Radius	Fixed jib length in (ft)			
	36	66	85	105
(ft)	lbs	lbs	lbs	lbs
60	40,7			
75	30,4	23,2		
80	27,9	22,4	12,1	
90	23,8	20,8	11,3	10,3
95	22,1	20,3	11,1	10,2
100	20,5	19,8	10,8	10,1
120		16,8	9,9	9,7
130		14,8	9,5	9,5
140			9,4	9,5
145			9,4	9,5
150				9,5
165				9,5

Main boom 85 ft

Radius	Fixed jib length in (ft)			
	36	66	85	105
(ft)	lbs	lbs	lbs	lbs
55	43,3			
70	32,9	24,9		
80	27,5	23,2	12,4	
85	25,4	22,6	12,0	10,1
90	23,4	21,8	11,7	9,9
100	20,2	20,5	11,1	9,7
110	17,5	18,7	10,6	9,5
115	16,3	17,5	10,4	9,4
130		14,5	9,9	9,3
145		12,1	9,5	9,3
165			9,4	9,3
185				8,5

Main boom 95 ft

Radius	Fixed jib length in (ft)			
	36	66	85	105
(ft)	lbs	lbs	lbs	lbs
55	42,3			
65	36,1	25,2		
75	29,8	23,8	12,8	
80	27,3	23,1	12,4	10,6
100	19,9	20,8	11,3	10,1
120	15,1	16,2	10,3	9,7
125	14,1	15,3	10,2	9,6
140		12,7	9,7	9,4
155		10,5	9,4	9,4
160			9,4	9,3
175			8,8	9,3
190				7,9

Main boom 105 ft

Radius	Fixed jib length in (ft)			
	36	66	85	105
(ft)	lbs	lbs	lbs	lbs
50	43,0			
65	35,9	24,2		
75	29,6	23,2	12,9	
80	27,1	22,3	12,5	10,6
90	23,0	21,1	12,0	10,3
100	19,7	20,2	11,4	10,1
120	14,9	16,1	10,5	9,8
130	13,0	14,2	10,1	9,6
140		12,5	9,9	9,5
160		9,8	9,4	9,3
180			8,2	8,7
200				6,9

Main boom 125 ft

Radius	Fixed jib length in (ft)			
	36	66	85	105
(ft)	lbs	lbs	lbs	lbs
50	40,9			
60	38,7	23,7		
70	32,1	22,5	13,3	
80	26,7	21,6	12,7	10,5
90	22,6	20,5	12,1	10,3
100	19,3	19,8	11,6	10,0
120	14,5	15,7	10,8	9,7
140	11,0	12,1	10,1	9,4
150	9,6	10,7	9,9	9,3
180		7,3	7,9	8,4
200			6,0	6,6
220				5,0

Main boom 144 ft

Radius	Fixed jib length in (ft)			
	36	66	85	105
(ft)	lbs	lbs	lbs	lbs
45	38,1			
60	36,6	22,3		
70	31,7	21,3	13,3	
75	28,8	21,0	13,0	10,4
80	26,3	20,7	12,8	10,4
100	18,9	19,1	11,8	10,0
120	14,0	15,3	11,0	9,6
140	10,6	11,7	10,3	9,4
165	7,4	8,4	9,0	9,2
195		5,5	6,1	6,6
215			4,5	5,1
220				4,7

Main boom 164 ft

Radius	Fixed jib length in (ft)			
	36	66	85	105
(ft)	lbs	lbs	lbs	lbs
45	35,0			
55	33,6	21,8		
65	32,1	20,8	13,4	
75	28,4	19,8	12,9	10,3
100	18,4	17,4	11,8	9,9
120	13,5	14,9	11,0	9,6
140	10,1	11,3	10,5	9,5
160	7,5	8,6	9,2	9,0
185	5,1	6,0	6,6	7,1
200		4,8	5,3	5,8
210			4,6	5,1
215				4,7

Main boom 174 ft

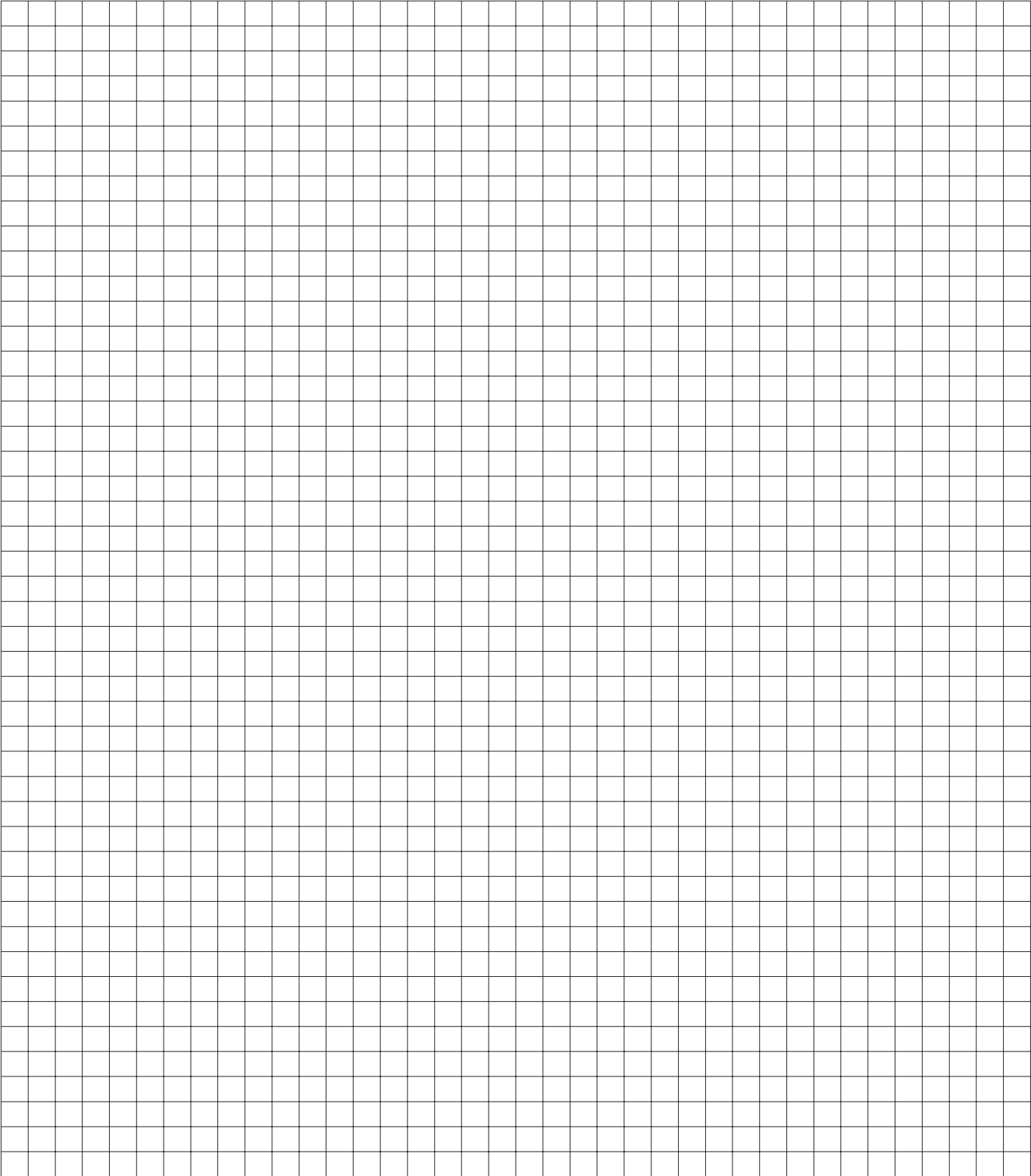
Radius	Fixed jib length in (ft)			
	36	66	85	105
(ft)	lbs	lbs	lbs	lbs
40	33,2			
55	32,2	21,1		
65	30,6	20,0	13,3	
75	27,9	19,1	12,8	10,1
100	18,2	17,0	11,8	9,8
120	13,3	14,6	11,1	9,7
140	9,8	11,1	10,5	9,4
160	7,3	8,4	9,0	8,9
185	4,8	5,8	6,4	6,9
200		4,5	5,1	5,6
205			4,7	5,2
215				4,5

Main boom 194 ft

Radius	Fixed jib length in (ft)			
	36	46	56	66
(ft)	lbs	lbs	lbs	lbs
40	29,4			
45	29,3	26,3		
50	29,3	26,0	22,4	
55	29,0	25,6	22,1	19,3
80	24,5	23,2	20,3	18,2
100	17,6	18,2	18,4	16,6
120	12,8	13,2	13,7	14,1
140	9,3	9,8	10,2	10,5
160	6,8	7,2	7,5	7,8
180	4,7	5,0	5,4	5,7
185		4,6	4,9	5,2
190			4,5	4,8

Capacities in metric tonnes with fixed jib (No. 0806.xx), 75,000 lbs counterweight + 38,600 lbs carbody counterweight. Above lift chart is for reference only. For actual lift duty and complete chart with all available configurations please refer to lift chart in operator's cab or manual.

Notice



Notice

