

HMF 150-P



- power to lift.

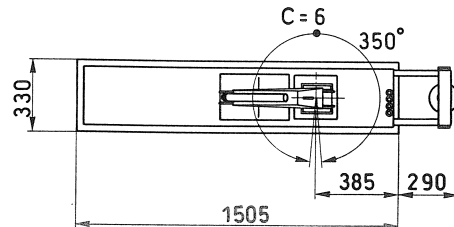
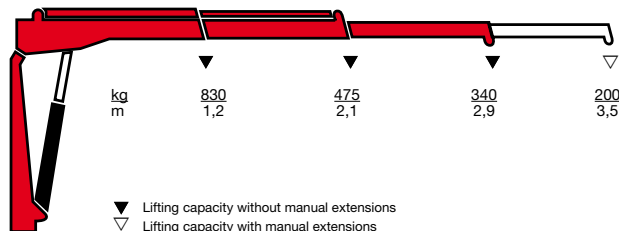
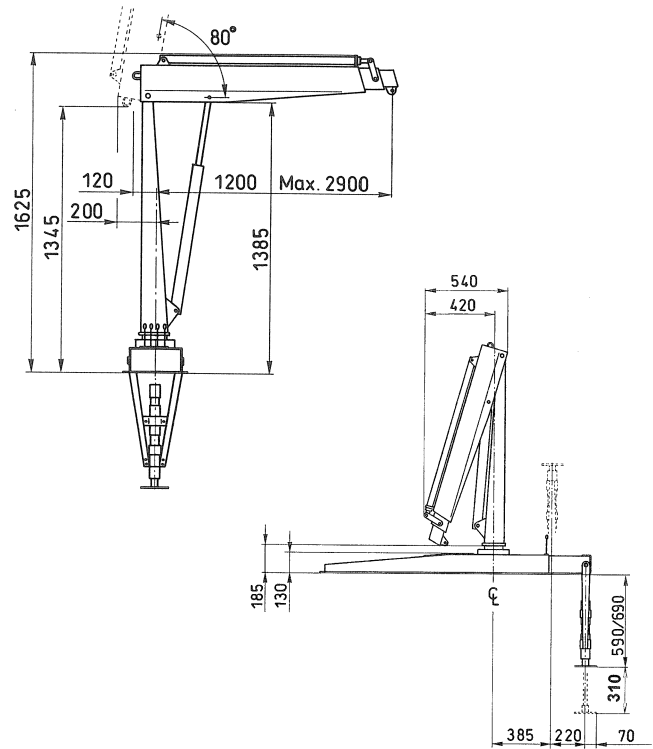
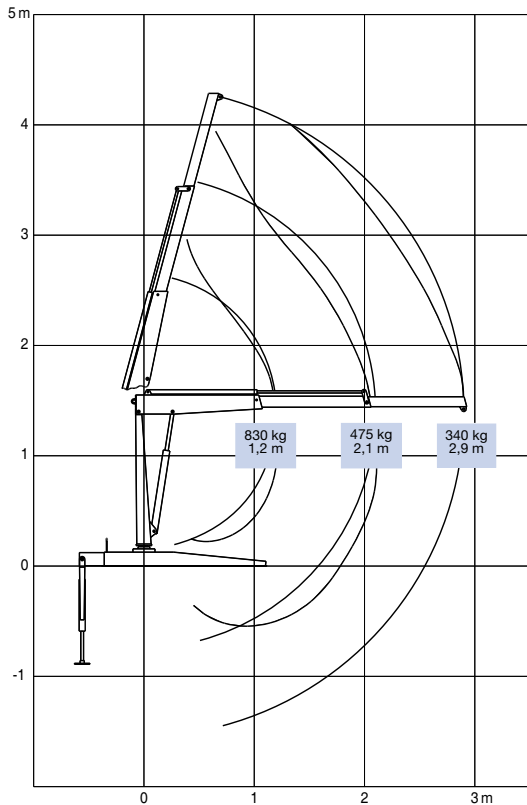
HMF T-Boom Range Loader 150-P

The Loader for flexible Mounting

- Designed for mounting directly on the truck body – easy to move
- Lifts 340 kg at 2.9 metres
- Good utilization of the vehicle payload
- Fast and simple operation
- Built-in safety: load-holding valves on all cylinders

Loading group B2		150-T1 P	150-T2 P
Load moment	tm	1.0	1.0
Hydraulic reach	m	2.1	2.9
Slewing torque	kgm	55	55
Slewing angle	°	350	350
Height above chassis	mm	1500	1500
Width, folded	mm	540	540
Weight incl. 1 stabilizer and power pack	kg	164	174
Working pressure	MPa	18.5	18.5
Pump performance	l/min	2-3	2-3
Oil capacity in base	l	3.5	3.5
Separate electro-hydraulic pump	V	12/24	12/24
Power consumption	V	12	12
	amp	115	115
Power consumption	V	24	24
	amp	55	55

HMF 150-T1/T2 P



Z008042-4



Højbjerg Maskinfabrik A/S • Oddervej 200 • DK-8270 Højbjerg
Tel.: +45 8627 0800 • Fax: +45 8627 0744 • info@hmf.dk

www.hmf.dk

Courtesy of Crane.Market

We reserve the right to introduce improvements and modifications