

Hiab XS 166 CLX

Capacity 123,000 ft-lbs



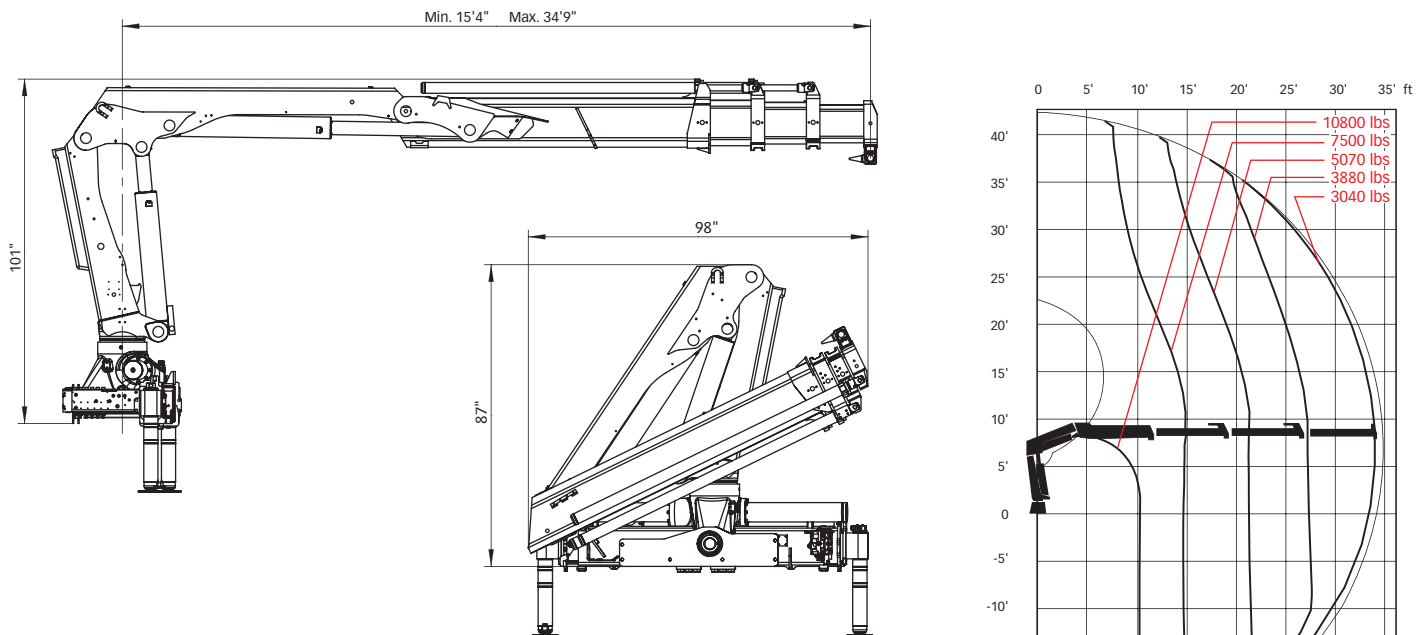
Basic data

Hiab XS 166 CLX Basic data

Technical data	B-1.2 CLX	B-2.3 CLX	B-3.3 CLX	E-3.4 CLX	E-4.5 CLX	E-5.5 CLX
Max. lifting capacity (ft-lbs)	120,936	115,005	110,593	107,627	105,457	103,939
Outreach - hydraulic extensions	20' 8"	27' 7"	34' 9"	34' 5"	42' 0"	49' 6"
Outreach - manual extensions	42' 0"	42' 0"	42' 0"	57' 1"	57' 1"	57' 1"
Outreach / Lifting capacity, standard (ft / lbs)	9' 10" / 12,130	9' 10" / 11,680	10' 2" / 10,800	7' 10" / 13,230	8' 6" / 12,350	8' 6" / 11,900
	14' 5" / 8,380	14' 5" / 7,720	14' 9" / 7,500	14' 9" / 7,280	15' 1" / 7,050	15' 9" / 6,610
	20' 0" / 5,950	20' 4" / 5,510	20' 8" / 5,070	20' 8" / 5,070	21' 0" / 4,850	21' 8" / 4,410
	-	26' 7" / 4,190	26' 11" / 3,880	27' 3" / 3,790	27' 7" / 3,530	27' 11" / 3,310
	-	-	33' 10" / 3,040	33' 10" / 3,040	34' 1" / 2,780	34' 9" / 2,510
	-	-	-	-	41' 4" / 2,250	42' 0" / 2,030
	-	-	-	-	-	49' 3" / 1,680
Slewing angle	190 - 406°	190 - 406°	190 - 406°	190 - 406°	190 - 406°	190 - 406°
Height in folded position	87"	87"	87"	88"	88"	90"
Width in folded position	98"	98"	98"	98"	98"	98"
Installation space needed	41"	41"	41"	41"	41"	41"
Weight - "standard" crane without stabilizers (lbs)	3,530	3,810	4,080	4,410	4,650	4,890
Weight - stabilizer equipment (lbs)	560 - 850	560 - 850	560 - 850	560 - 850	560 - 850	560 - 850

* Standard hook used with heavy lift hook attachment (optional)

Hiab XS 166 B-3 CLX



Disclaimer. Hiab cranes have been built to meet the highest standards of safety and service life and have been thoroughly tested. Strength calculations for this model have been carried out in accordance with EN13001 in fatigue class S2. Cargotec's certified Quality Assurance System complies with ISO 9001. Some of the items in our literature may be extra equipment. Certain applications may require an official permit. We reserve the right to change technical specifications without prior notice. Hiab cranes produced for EU-countries are CE-marked and comply with the European Standard EN 12999.

Cargotec improves the efficiency of cargo flows by offering solutions for the loading and unloading of goods on land and at sea – wherever cargo is on the move. Cargotec's main daughter brands for cargo handling Hiab, Kalmar and MacGregor are global market leaders in their fields. www.cargotec.com

