

HP Series Forklift HP6500



ENGINE

Model	John Deere - 4045TF290
	Tier 4 Interim Emission Certified
Type	4 Cycle Diesel Turbocharged
Cylinders	4
Speeds	4 Forward 4 Reverse
Bore/Stroke	4.17 in. / 5 in
Displacement	275 in ³
Fuel Injection	Common rail mech.
Fuel	Diesel
Cooling	Liquid Cooled
Engine Speeds	(rpm)
Rated Speed, full load	2400
Low Idle	800
High Idle, no load	1050
Horsepower @ 2400 rpm	
Net	74 hp
Maximum torque @1700 rpm	
Net	195 ft-lbs
Water Pump Style	Integral
Engine Oil	John Deere Plus 5011

4.1.15 HP6500 SPEC

TIRES

Front	16.9 x 24 (12 Ply)
Rear	
2WD	11L - 16 (10 Ply)
4WD	12 - 16.5 (12 Ply)

ELECTRICAL

Voltage	12 Volts
Alternator	95 amp
Battery	950 cold-cranking amps
Power Plugs (#)	1 (optional)

OPERATING WEIGHT

2WD	See mast options
4WD	See mast options

MAST

Mast Tilt	
Forward	33°
Backward	11°
Side Shift	6 in
Easy Ride Load Cushion (Accumulator)	Optional

HYDRAULICS

Main Pump Piston Type	Pressure compensated
Pump Flow	32gpm @ 2400rpm

POWERTRAIN

Transmission	Synchromesh Std Power Shuttle
Gear Ratios	Forward/Reverse
1st	5.603
2nd	3.480
3rd	1.584
4th	0.793
Travel Speeds	mph (km/h)
1st	4.2 (6.76)
2nd	6.7 (10.79)
3rd	14.0 (22.54)
4th	24.0 (38.64)
Torque Converter Ratio	2.64:1
Front / Rear Axle(4WD)	
Differential Ratio	2.33:1 / 2.46:1
Planetary Hub Ratio	6.923:1 / 6.00:1
Overall Ratio	16.15:1 / 12.80:1
Service Brake Type	Oil (wet) multi disk
Parking Brake Type	S.A.H.R.
Parking Brake Location	DASH

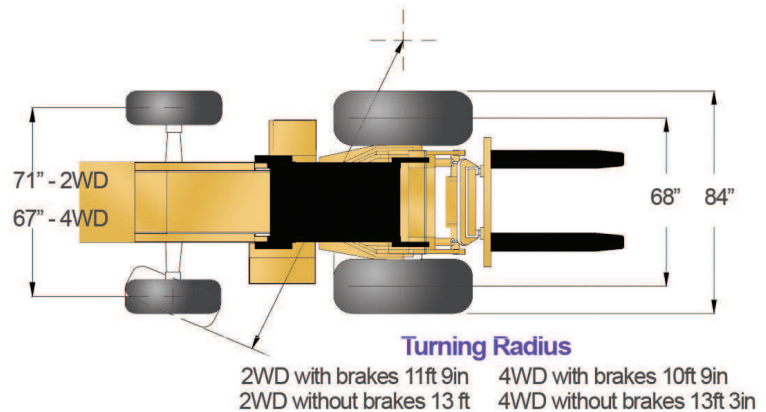
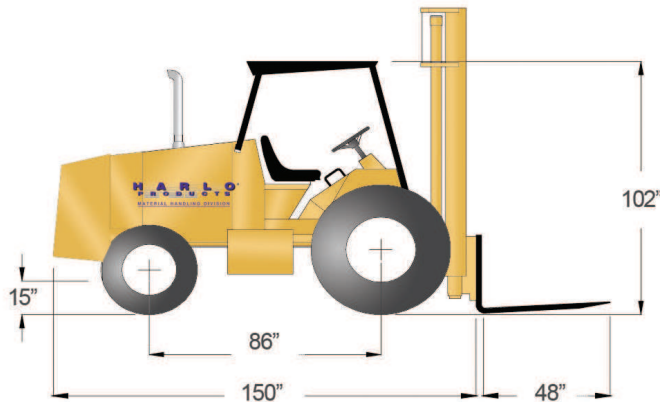
OPERATOR ENVIRONMENT

STANDARD SAFETY: Adjustable Seat Cushion; Rear-View Mirror; Seatbelt; Anti-Vandalism Kit; FOP Overhead Guard; See-Thru Masts. A.N.S.I. B 56.6 Safety Compliant. **AUDIBLE ALARMS:** Backup Alarm; Horn. **GAUGES:** Fuel Level, Hour Meter and Voltmeter

Warning Lights

Engine Oil Pressure; Transmission Oil Temperature; Air Cleaner Restriction; Alternator Charge; Engine Water Temperature; Parking Brake; 4WD Engage (with 4WD model).

DIMENSIONS



MAST OPTIONS AND CAPACITY

Lift Height	Type	Available Carriage Width	Stage	Overall Lowered	Overall Extended	Capacity at 24" Load Center	2WD Weight	4WD Weight	Freelift
10' Roller	Notch ITA Class 3	60" 72" 84"	2	100 in	164 in	6500lbs to 10'	12,594 lb	12,934 lb	None
11' Roller	Notch ITA Class 3	48" 60" 72" 84"	3	80 in	166 in	6500lbs to 11'	12,812 lb	13,152 lb	None
15' Roller	Notch ITA - Class 3 or Swing Carriage	60" 72" 84"	2	125 in	212 in	6500lbs to 15'	13,254 lb	13,687 lb	None
20' Roller	Notch ITA Class 3	60" 72" 84"	3	117 in	277 in	6500lbs to 12' 4500lbs to 15' 2500lbs to 20'	13,972 lb	14,359 lb	80"
22' Roller	Notch ITA or Swing Carriage	60" 72" 84"	3	125 in	300 in	6500lbs to 12' 4500lbs to 15' 2500lbs to 22'	13,874 lb	14,261 lb	None
28' Roller	Notch ITA Class 3	60"	3	146 in	372 in	6500lbs to 12' 4500lbs to 15' 2500lbs to 22' 1000lbs to 28'	14,173 lb	14,457 lb	None

Courtesy of Crane Market

