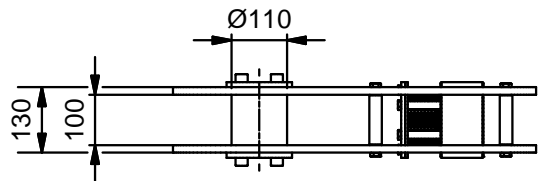
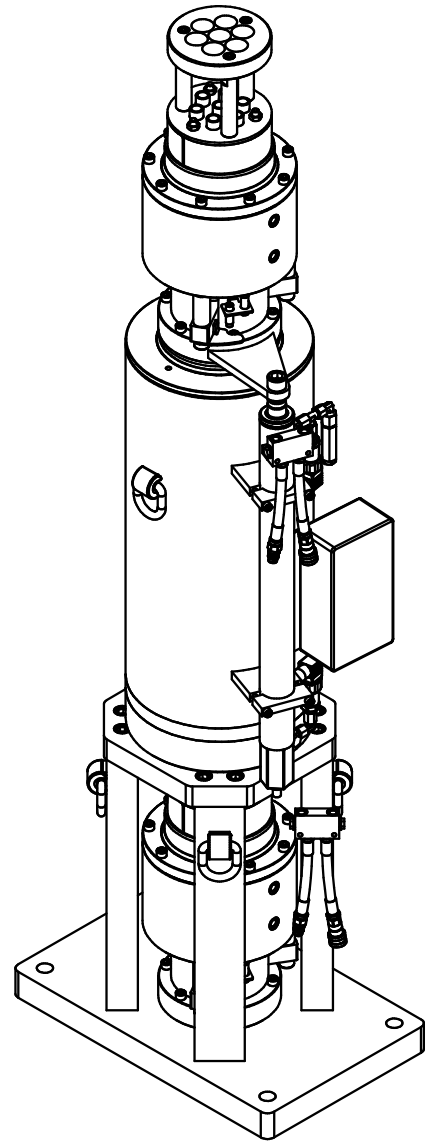
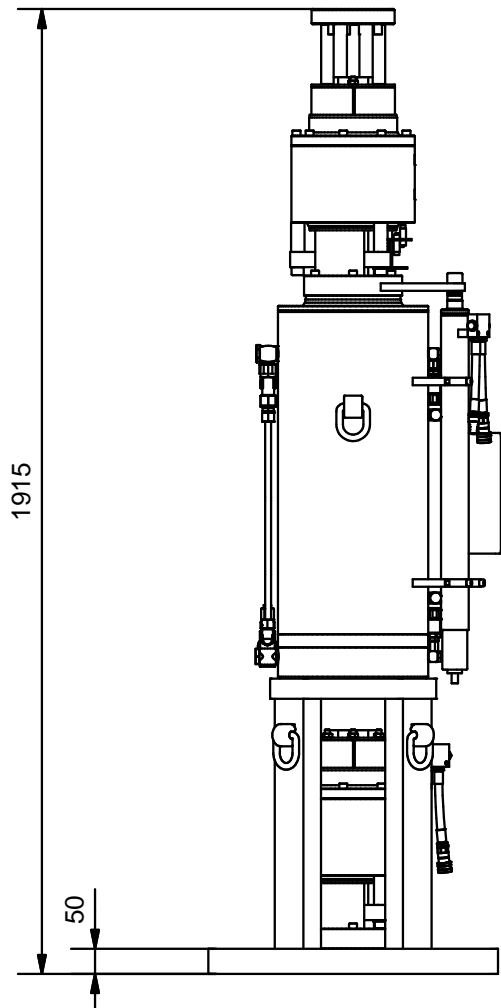
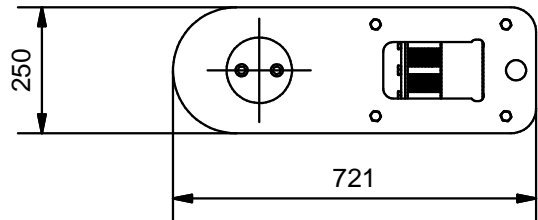


Features HSL7006

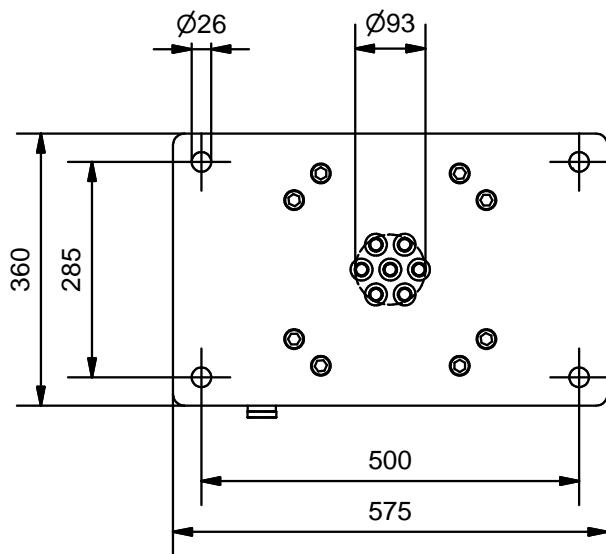
Safe Work Load:	700 kN	(154 kips)
Operating Pressure:	205 bar	(2975 psi)
Self Weight:	640 kg	(1410 lbs)
Strand Type:	15,7 mm	(0.62")
Number of Strands:	7 nos	
Bundle Diameter:	Ø93 mm	(Ø3.66")
Stroke Main Jack:	480 mm	(18.9")
Self Weight Anchor:	60 kg	(132 lbs)



Anchor

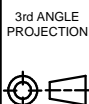


Bottom view (1:10)



OPAALSTRAAT 44, 7554 TS HENGELO HOLLAND
PO BOX 421, 7550 AK HENGELO HOLLAND
TELEPHONE 074-2422045 FACSIMILE 074-2430338

ENERPAC
COPYRIGHTS RESERVED



Model Number:

HSL7006

Drawing Number:

02603.50.00.00

Main Assembly Number:

02603.01.00.00

REV.: 0

DATE:

28-10-2013

SCALE:

1:15

FORM:

A4