

EFFER
RAISE THE VALUE



2055

ENGLISH

Courtesy of Crane.Market



THE BIGGEST LOADER CRANE IN THE WORLD ON A 32 TON TRUCK!





NO LIMITS WITH

PROGRESS

Lift the maximum. PROGRESS 2.0 automatically calculates the maximum lifting capacity based on the actual extension of the stabilisers.



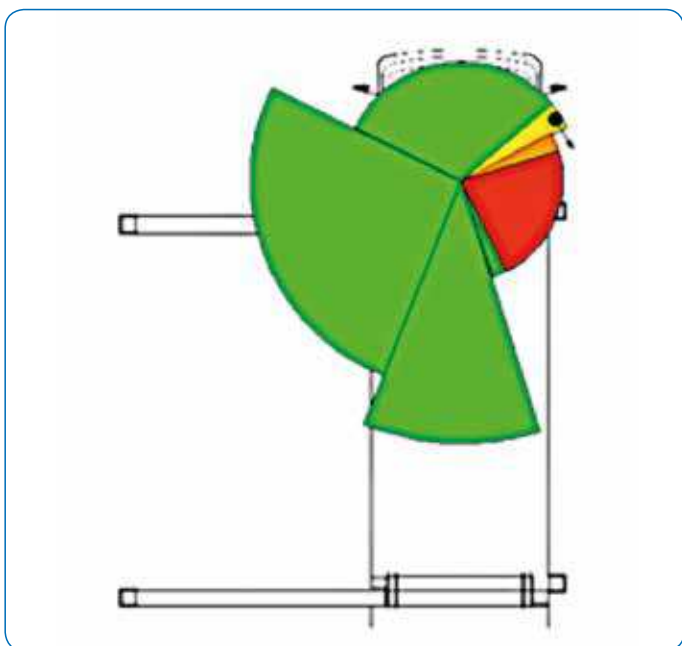
Performance in sight. The operator always has the state of the crane, vehicle and the load under control.



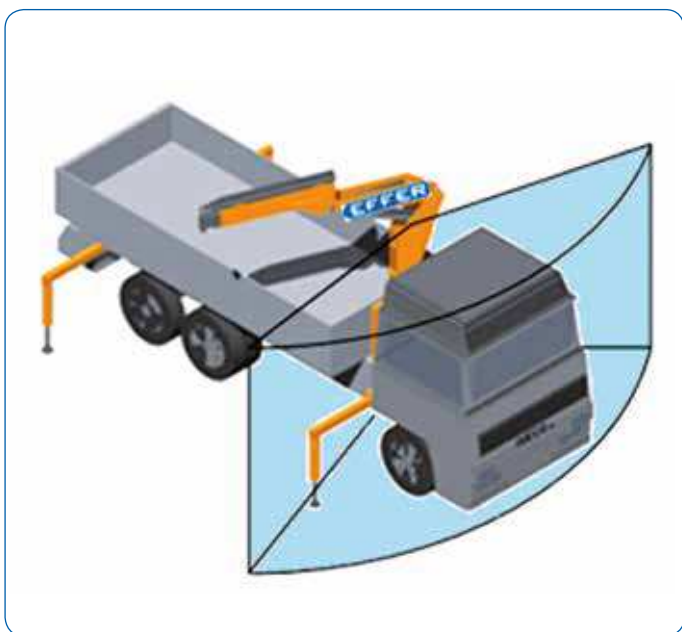
Move your feet. PROGRESS 2.0 manages stabiliser positioning through radio control, so that the operator can work safely.



A new era. PROGRESS 2.0 is the new **electronic management system** that Effer designed for its cranes. It allows the operator to use Effer cranes **at peak performance**, in great safety and comfort, even when carrying out very difficult operations.

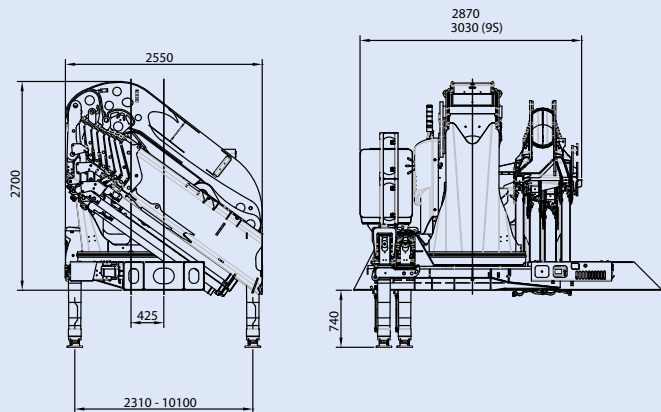


Air geometries. PROGRESS 2.0 allows you to display and keep under control at the crane base and on the remote control display **the geometrical arrangement of the crane booms**.



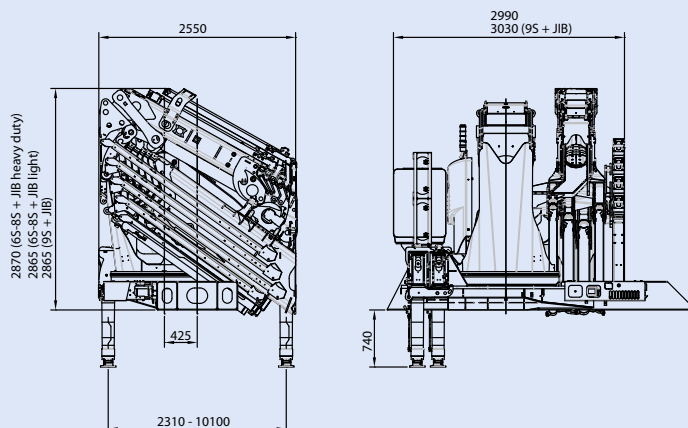
“Virtual shield” - cabin-collision avoidance. PROGRESS 2.0 allows you to set a protected workspace around the cabin. In the proximity of this area, **crane movements are automatically stopped** to protect the cabin, thus eliminating the risk of accidental impact. You can also set a prohibited working area **to protect the manned workstation**.

4S - 6S - 8S - 9S



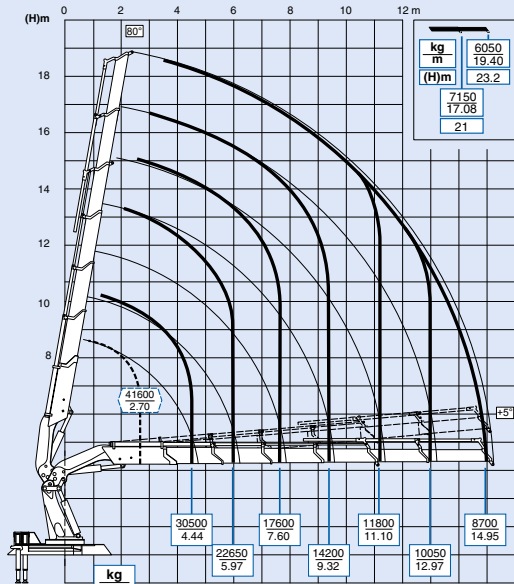
[mm]

6S - 8S - 9S + JIB

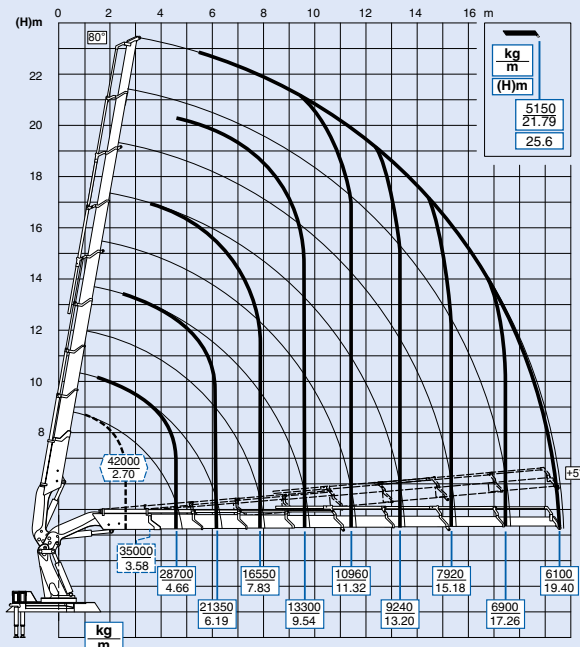


[mm]

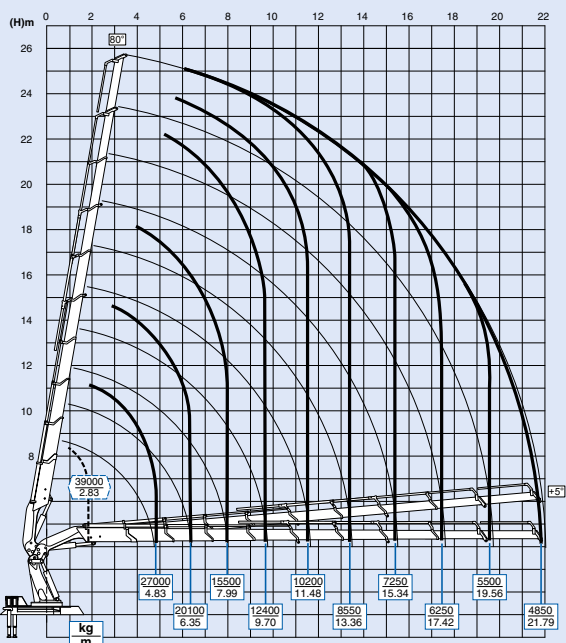
6S



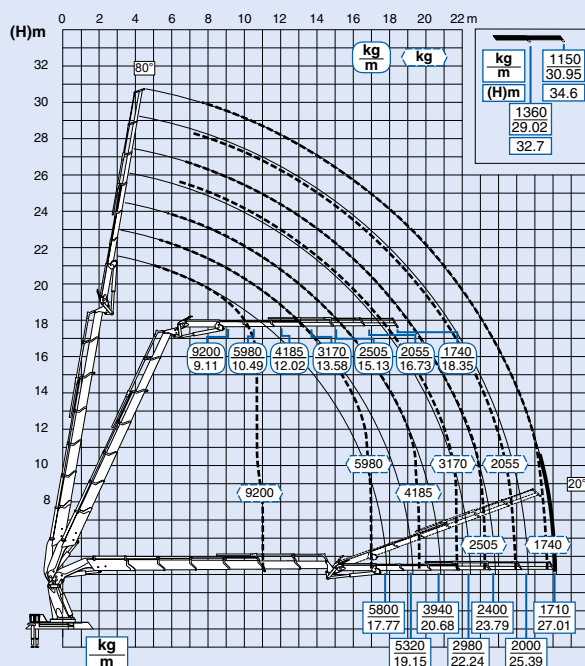
8S



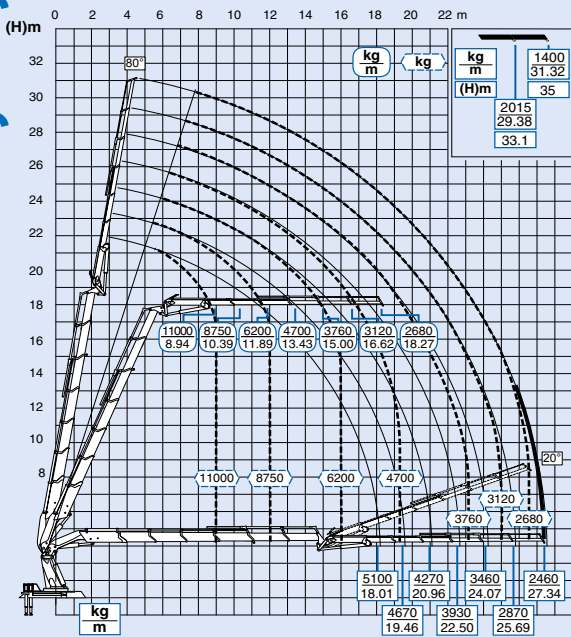
9S



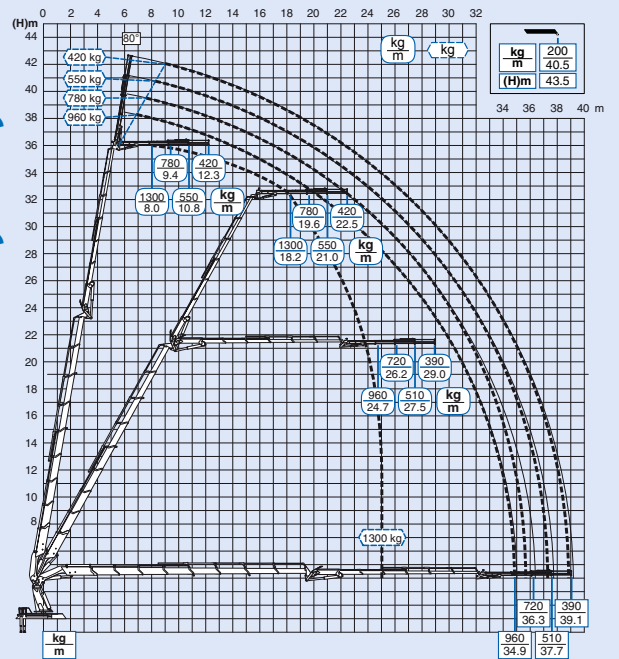
6S + JIB 6S Light



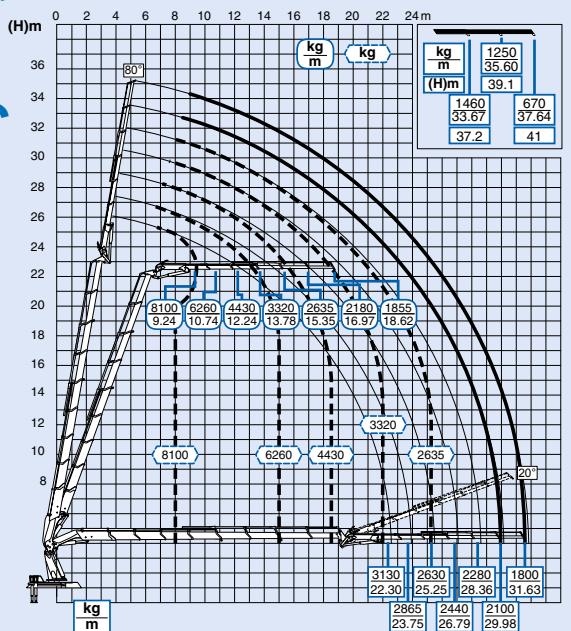
6S + JIB 6S Heavy Duty



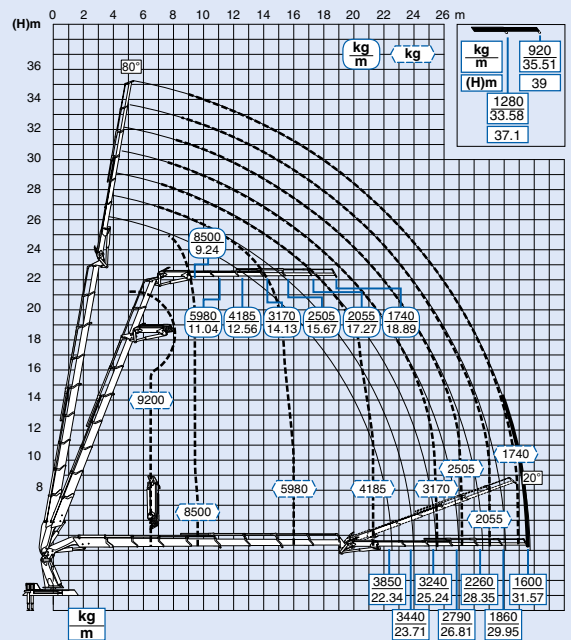
8S + JIB 6S Heavy Duty + 3S



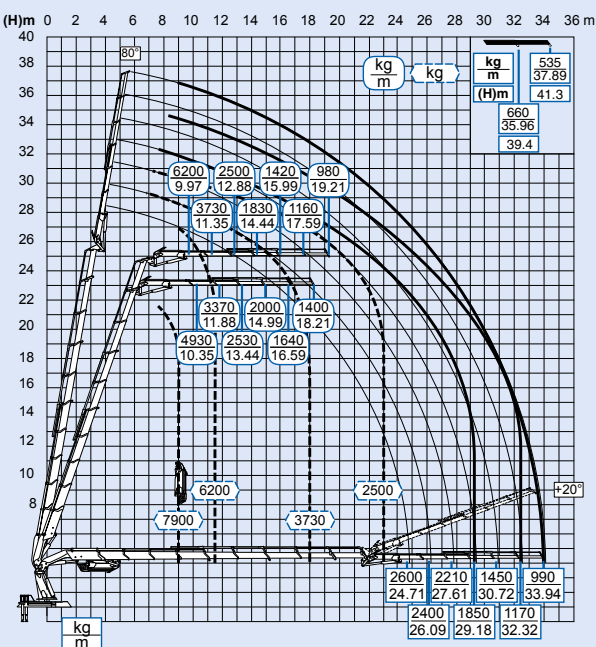
8S + JIB 6S Heavy Duty



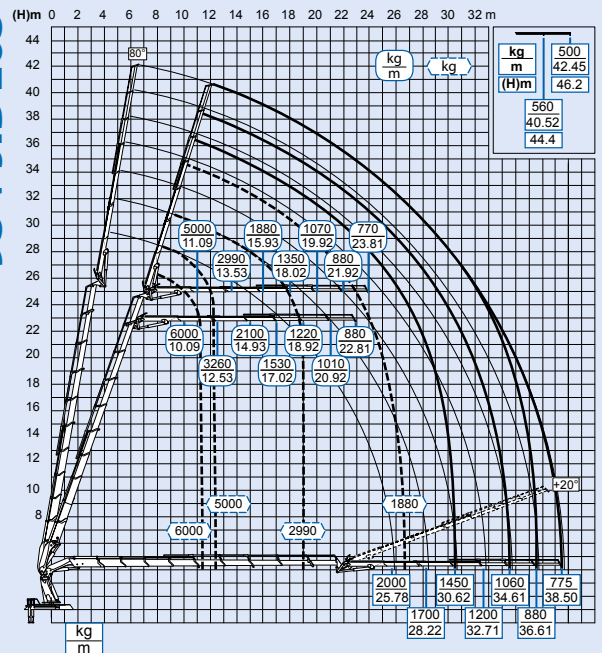
8S + JIB 6S Light



9S + JIB 6S



9S + JIB L6S



STANDARD



OPTIONAL



» FOR MORE INFO AND TECHNICAL DETAILS GO TO EFFER PRODUCT GUIDE

DESCRIPTION	UNIT OF MEASURE	4S	6S	8S	9S
Max. hydraulic outreach Massimo sbraccio idraulico orizzontale Max. hydraulische waagrecht	m	11,06	15,11	19,56	21,95
Max. lifting moment (+20°) Momento massimo di sollevamento (+20°) Max. Hubmoment (+20°)	kgm	138480	135400	133860	130280
	kNm	1360	1330	1315	1280
Slewing arc Angolo di rotazione Schwenkbereich	(°)	endless / continua / endlos / sans fin / sin fin			
Slewing Capacity - Max slope Capacità di rotazione - Massima pendenza Rotationskapazität - Maximale Neigung	%	8,7			
Working pressure Pressione d'esercizio Betriebsdruck	bar	350			
Recommended oil delivery Portata d'olio consigliata Empfohlene Ölfördermenge	l/min	200			
Oil tank capacity Capacità serbatoio olio Öltankkapazität	l	500			
Weight of the standard crane (± 2%) Peso gru standard (± 2%) Gewicht des Standardkranes (± 2%)	kg	12880	13675	14435	14975



CRANE DESIGNED ACCORDING TO STANDARDS UNI EN 12999 HC1 S1 HD5

The configurations and figures contained in the brochure are illustrative. For information on the complete offer and for more technical details, ask your Effer dealer or consult the website www.effer.com. The above data are subject to change. Lifting capacity is based on the maximum lifting power of the crane. The stability of the truck may require a reduction of lifting capacity.

GRU PROGETTATA SECONDO NORME UNI EN 12999 HC1 S1 HD5

Le configurazioni e le immagini riportati nel depliant sono esemplificativi. Per conoscere l'offerta completa e per maggiori dettagli tecnici, rivolgersi al concessionario EFFER di zona e consultare il sito www.effer.com. I dati indicati possono subire modifiche. Capacità di sollevamento secondo potenza massima della gru. La stabilità dell'autocarro può richiedere il declassamento.

KRAN ENTWICKELT GEMÄSS UNI EN 12999 S1 HC1 S1 HD5

Die in der Broschüre enthaltenen Ausstattungen und Bilder dienen als Beispiel. Um das komplette Angebot zu kennen und für weitere technischen Informationen, wenden Sie sich an Ihren Händler EFFER und besuchen Sie unsere Homepage www.effer.com. Die geschriebenen Angaben können Änderungen vorsehen. Tragkraft gemäss maximale Kranleistung. Die Stabilität des Lastwagens kann die Deklassierung erfordern.



EFFER S.p.A.

Via IV Novembre, 12 | 40061 Minerbio (BO) – Italy
Tel. +39 051 4181211 | Fax. +39 051 4181491
S.P. 40 ex Vicinale Accetta Grande | 74010 Statte (TA) – Italy
Tel +39 099 4700191 | Fax +39 09 9 4700189
www.effer.com | info@effer.it

