

Designed for **rugged environments**, the TM5 is your reliable and versatile tire handling solution.



TM5U on a Lift Truck



Underground model, **TM5U**, illustrating **90° pad rotate**.

KEY FEATURES

- ✓ Load Holding Valves
- ✓ Manual Central Greasing
- ✓ Tire Fall Back Protection

ADVANTAGES

- ✓ Safe, Versatile, & Reliable
- ✓ Built to Mount on your Machine

APPLICATIONS

- ✓ Yard
- ✓ Shop
- ✓ Underground

Specifications	TM5	TM5U
TM Max. Capacity*	5,500 lbs (2,500 kg)	5,500 lbs (2,500kg)
Clamp Range	30"-110" (76cm-280cm)	39"-120" (99cm-300cm)
Min. Rotation Clearance	56" (142cm)	N/A
Body Rotation	90°	90°
Pad Rotation	120° Cylinder Drive	95° Cylinder Drive
Recommended Hydraulics	15-25 gpm, 3000 psi	15-25 gpm, 3000 psi
Features		
Tire Roll Back Protection	✓	✓
Load Holding Valves	✓	✓
Manual Central Greasing	✓	✓
Integral Side Shift	Optional 12" (+/-6")	Optional 12" (+/-6")

* Maximum capacity may be derated depending on machine and counterweight may be required to utilize TM max. capacity. Contact CWS for more information.

For more information, visit us at:
www.cwsindustries.com

Division of



INTERNATIONAL
EQUIPMENT
SOLUTIONS

CWS Surrey

19490 - 92nd Ave
Surrey, BC V4N 4G7
Toll free: 1.800.661.9008

CWS Edmonton

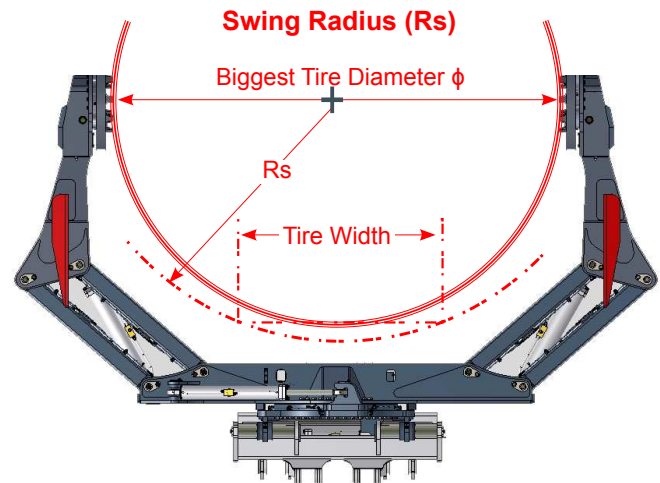
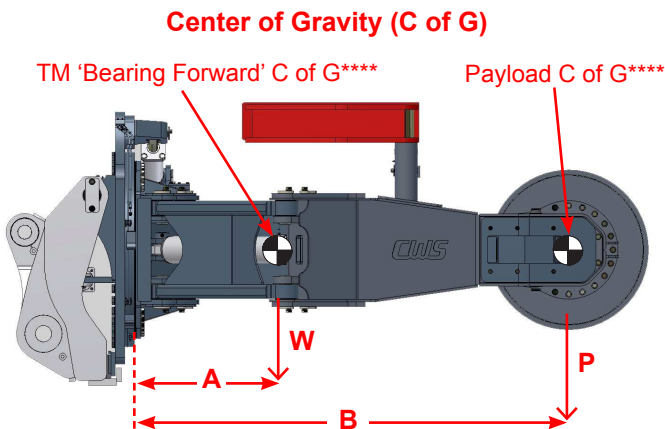
7622 - 18th St
Edmonton, AB T6P 1Y6
Toll free: 1.888.848.8288

1.877.888.6459

sales@cwsindustries.com

Technical Specifications

Specifications	TM5	TM10	TM20*	TM30	TM40
TM Max. Capacity Final Rating**	5500 lb (2500 kg)	10,000 lb (4500 kg)	20,000 lb (9100 kg)	30,000 lb (13,600 kg)	40,000 lb (18,200 kg)
Clamp Range Arms Close-Open Span***	30" - 110" (76cm - 280cm)	22" - 135" (56cm - 340cm)	48" - 159" (122cm - 400cm)	33" - 166" (84cm - 420cm)	33.5" - 177" (85cm - 450cm)
Min. Rotation Clearance	56" (142cm)	61" (155cm)	73.5" (187cm)	105.5" (268cm)	111" (282cm)
Body Rotation	90°	75°	75°	75°	65°
Pad Rotation	120° Cylinder Drive	360° Continuous	360° Continuous	360° Continuous	360° Continuous
Recommended Hydraulics	15 - 25gpm	15 - 25gpm	25 - 30gpm	25 - 30gpm	50 - 60gpm
	3000psi	3000psi	3000psi	3000psi	2500psi
Features					
Tire Fall Back Protection	✓	✓	✓	✓	✓
Load Holding Valves	✓	✓	✓	✓	✓
Body Rotate Cylinders	Single	Single	Single	Single	Double
Manual Central Greasing	✓	✓	✓	✓	✓
Integral Side Shift	Optional 12" (+/-6")	Optional 12" (+/-6")	Optional 12" (+/-6")	Optional 16" (+/-8")	Optional 16" (+/-8")
Rim Handling Grip Pads	N/A	Optional	✓	✓	✓
Proportional Controls	✓	✓	✓	✓	✓



For Application-Specific Dimensions Contact CWS

* TM20 is available in TM20 R57 and TM20 R63 configurations

** Maximum capacity may be derated depending on machine and counterweight may be required to utilize TM max. capacity

*** Varies, dependent on tire grip pad option

**** Arms opened for the biggest tire

ABOUT CWS

CWS is an innovator in designing, manufacturing, and commissioning attachments for heavy equipment. Since 1956, global distributors, customers, and OEM's have demanded CWS solutions for rugged applications in Agriculture, Forestry, Construction, Mining, Oil & Gas and Material Handling. The CWS organization specializes in integrating customer needs with engineered solutions supported by excellent warranty and parts programs.