



P.O. Box 14770, Lenexa, KS 66285-4770  
(913) 888-0606 • FAX (913) 888-8431  
• www.bmccranes.com

Page: 1 of 10  
Date: Sept. 2003

Replaces: Form DD103E  
Dated: Feb. 2003

The IC-200-F is a self-propelled Industrial Crane designed for yard material handling and maintenance and repair of equipment, with special features of self-loading cargo decks, 4-wheel steer, and front-wheel drive (4-wheel drive optional). The basic unit consists of a chassis and hydraulic boom assembly. The chassis includes a frame, four hydraulic independently controlled outriggers, engine, torque converter, powershift 4-speed transmission, front planetary drive/steer axle and rear steer-only axle, fuel tank, hydraulic tank, control station, power steering and dual power brakes. The boom assembly includes a hydraulic powered continuous rotation turret, 3 or 4-section telescopic boom, hydraulic boom elevating cylinder, hydraulic boom telescope cylinders and hydraulic powered hoist. A Rated Capacity Limiter is standard.

**IC-200-1F:**

3-section hydraulically extended boom with capacity of 30,000 pounds at a 6 foot load radius. Horizontal reach of 28 feet and vertical reach of 37 feet.

**IC-200-2F:**

3-section hydraulically extended boom with capacity of 30,000 pounds at a 6 foot load radius. Horizontal reach of 36 feet 2 inches and vertical reach of 45 feet.

**IC-200-3F:**

4-section proportional hydraulically extended boom with capacity of 30,000 pounds at a 6 foot load radius. Horizontal reach of 50 feet and vertical reach of 58 feet.

**General:**

<b>Weight:</b>	<b>IC-200-1F</b>	<b>IC-200-2F</b>	<b>IC-200-3F:</b>
Front Axle	12,000 lbs.	13,400 lbs.	15,050 lbs.
Rear Axle	15,300 lbs.	14,350 lbs.	15,100 lbs.
Total	27,300 lbs.	27,750 lbs.	30,150 lbs.

**Length:**

Overall	20 ft. 0 in.	22 ft. 6 in.	22 ft. 10 in.
Chassis	14 ft. 11 in.	14 ft. 11 in.	14 ft. 11 in.

**Width:**

8 ft.

**Height:**

Overall	7 ft. 11 in.
Deck	3 ft. 10 in.

**Wheelbase**

97 in.

**Ground Clearance**

13 3/4 in.

**Angle of Approach**

24 degrees

**Angle of Departure**

24 degrees

**Outriggers:**

Spread	11 ft. 11 in.
Penetration	3 1/4 in.

**Turning Radius:**

4-Wheel Steering 13 feet 9 inches

**Aisle Width**

11 feet 9 inches

for 90° Turn

**Steering Modes**

Rear Steer, Round Steer, Crab Steer

**Road Speed**

19 MPH

**General:** (Cont'd)**Gradeability** 75 percent (37 degrees)  
(Calculated)

<b>Boom Movement:</b>	<b>IC-200-1F</b>	<b>IC-200-2F</b>	<b>IC-200-3F</b>
Rotation	Continuous	Continuous	Continuous
Elevation	0 to 73 deg.	0 to 73 deg.	0 to 73 deg.
Telescope	15 ft. 4 in.	21 ft.	34 ft. 6 in.

**Boom Speeds:**

Rotation	1.8 RPM	1.8 RPM	1.8 RPM
Elevation	21 seconds	21 seconds	21 seconds
Extension*	26 seconds	35 seconds	53 seconds

\*With synchronized hoist cable.

**Sheave Height (Nominal):**

W/O Boom Extension	37 ft. 6 in.	45 ft. 4 in.	58 ft. 8 in.
With Boom Extension	51 ft. 8 in.	59 ft. 6 in.	73 ft. 8 in.

**Horizontal Reach:**

W/O Boom Extension	28 ft.	36 ft. 2 in.	50 ft.
With Boom Extension	43 ft.	51 ft.	66 ft.

**Engine:****Standard:****GM 4.3L V-6 EFI w/Dual Fuel: (ET-38, 39, 50, 51)**

GM Model 4.3L V-6 industrial gasoline engine complete with throttle body electronic fuel injection, dual fuel and engine management system. Includes water cooled, 262 CI displacement, bore 4.00 in., stroke 3.48 in., 110 HP at governed speed at 2,500 RPM. Maximum torque 243 ft. lbs. at 2,200 RPM. Also includes special exhaust valves, seats and valve rotators for use with LPG, 100-amp alternator, 30 gallon fuel tank and 43 pound LPG tank. High temperature and low oil pressure shutdown is included in engine management system.

**Optional Engines and Engine Accessories:****Cummins Turbo-4BT3.9 Diesel Engine: (ET-30, 31)**

Cummins Model 4BT3.9 turbocharged diesel engine. Water cooled, 4-cylinder, 239 CID, bore 4.02", stroke 4.72", 110 HP at governed speed of 2,500 RPM. Maximum torque is 293 ft. lbs. at 1,500 RPM. 62-amp alternator included. 30 gallon fuel tank capacity. (Net Weight: 75 pounds)

**Spark Arrester Muffler: (SA-6, 7)**

Spark arrester muffler used in addition to standard muffler. (Net Weight: 10 pounds)

**Catalytic Converter: (CC-5, 7)**

Catalytic converter for diesel engines. Reduces engine emissions. (Net Weight: 10 pounds)

**Engine Heater: (EH-2, 3)**

Heater for engine. Engine coolant heater installed with hoses in coolant system to circulate warm water through engine. Plugs into 120 volt AC extension cord. 1,500 watts.

**Ether Injection System: (EI-1)**

Ether starting aid is controlled by switch at operator station and injects ether directly into intake manifold.

**Engine Shut Down Gauges: (SS-10)**

System automatically shuts engine down when high engine water temperature or low engine oil pressure occurs.

**Transmission:****Standard 2-Wheel Drive:**

Powershift transmission with four speeds in forward and reverse. Provides powershifts at any engine speed in any gear. All shifting is done with a single lever electrical control mounted on the steering column. Multiple-disc clutch packs operated by solenoid valves provide reverse, neutral, forward and speed selection. Equipped with oil cooler and filter.

**Optional 4-Wheel Drive Transmission:**

Same as 2WD transmission with an additional output shaft to drive the rear axle. Electro-hydraulic control for shifting between 2WD and 4WD. This option includes the 4-wheel drive axle listed below. (Weight is listed with AO-14)

Transmission gear ratios:	Forward and Reverse (2WD & 4WD)
1st	5.72 to 1.0
2nd	3.23 to 1.0
3rd	1.77 to 1.0
4th	1.00 to 1.0

**Torque Converter:****Standard:**

Stall torque ratio of 2.2:1, attached to engine flywheel.

**Front Axle:****Standard:**

Planetary drive/steer front axle with 15.78 to 1.0 ratio. Differential equipped with "limited slip" feature. Driving effort is applied to wheel that has traction. Front axle mounted rigidly to frame.

**Calculated Performance:**

Gear	Drawbar Pull (pounds)	Travel Speeds (MPH)
1st	19,000*	3
2nd	10,000*	6
3rd	5,700*	11
4th	3,000*	20

\*Calculated for GM 4.3L engine. Wheels will spin in 1st or 2nd gear before these values are reached with 2-wheel drive.

**Rear Axle:****Standard 2-Wheel Drive: (AO-13)**

Steering axle with 1 1/2 degree oscillation in either direction.

**Optional 4-Wheel Drive: (AO-14)**

Planetary drive/steer axle with 24.98 to 1.0 ratio. Differential is not "limited slip" in rear axle. 1 1/2 degree oscillation in either direction. (Axle ratio compatible with 4WD transmission output for front axle match.)  
(Net Weight: 160 pounds)

**Steering:****Standard:**

Hydraulic steering unit with two 3-inch cylinders attached to each axle. Allows limited steering when engine is not running. Rear axle is the primary steer. An electric switch in the operator's compartment is used to select rear-wheel steering, four-wheel round steering or crab steering. Electronic sensors and control box automatically align the steering when a new mode is selected.

**Brakes:****Standard:**

Split-system, four-wheel hydraulically-boosted multiple-plate wet disc brakes. Uses mineral oil. Hand lever actuated disc-type parking brake on transmission.

**Tires:****Standard 2-Wheel & 4-Wheel Drive:**

15x22.5, Galaxy, 16 ply rating.

**Tire Options:****Non-Marking Pneumatic: (TO-39)**

385/65D22.5 OTR. (Net Weight: 140 pounds)

**Foam Filling of Tires: (FF-5)**

Foam filling of four IC-200 tires. (Net Weight: 2000 pounds)

**Spare Tire and Wheel Mounted, Standard: (SW-38)**

Extra wheel with standard tire (15X22.5 Galaxy, 16 ply) mounted, ready for service. (Net Weight: 300 pounds)

**Spare Tire and Wheel Mounted, Non-Marking Pneumatic: (SW-33)**

Extra wheel with Non-Marking tire (385/65D22.5 OTR 16 ply) mounted, ready for service.  
(Net Weight: 335 pounds)

**Chassis:****Standard:****Cargo Deck:**

Total Deck Area: 72 Square Feet. A maximum of 17,000 pounds may be carried on the deck at creep speed when centered over or between axles. Seven stake pockets are provided along edges of deck for 1 inch pipe stakes. Stakes furnished. Cargo decks have skid resistant coating.

**Lifting Rings:**

Consists of four rings, one at each corner of the load deck, so sling can be attached for lifting crane. Rings hang below deck surface when not in use.

**Steps:**

A step is located on each front corner providing access to deck area.

**Outriggers:**

Four hydraulic outriggers of box-beam construction. Independent control for each outrigger. Hydraulic cylinders are equipped with direct-connected holding valves. Pad dimensions: 11 inches x 16 inches.

**Pulling Eyes:**

Two heavy eyes in front bumper provide for attachment of hook block so main winch line can be used for pulling loads at or near floor level. Also for anchoring tag lines from load on hook.

**Accessory Storage Box:**

Consists of front deck plate with removable and lockable cover, and box for carrying sheave block and other items. Storage box is 14" deep x 10 1/2" wide x 36 1/2" long.

**Chassis Options and Accessories:****Auxiliary Winch: (AW-12)**

Optional worm gear winch, mounted behind front bumper, with a single lever control at the operator's console. Hydraulic powered to provide bare drum line pull of 10,000 lbs. at 40 ft. per minute. Winch drum is 3 1/2" dia. by 10" long. This winch includes 115 ft. of 7/16" wire rope, hook and four-way roller guide. This rope can pull 5800 lbs. with a safety factor of 3.5:1. (Net Weight: 250 pounds)

**Pintle Hook - Rear: (PH-8)**

T-60-AOL Holland pintle hook mounted on rear frame member, provides capacity for 6,000 lbs. tongue weight and 30,000 lbs. trailer weight. (Net Weight: 15 pounds)

**Pintle Hook - Front: (PH-17)**

T-60-AOL Holland pintle hook mounted on front frame member, provides same capacity as PH-8.  
(Net Weight: 45 pounds)

**Headlight and Taillight Grilles: (HTG-3)**

Consists of welded steel protective grilles for headlights and taillights. Easily removable for replacing bulbs.  
(Net Weight: 40 pounds)

**Rearview Mirrors: (RM-3)**

One right-hand and one left-hand mirror, 6" wide x 16" high, mounted on deck stakes. Pivot out of way when contacted by obstacle at side of deck. (Net Weight: 12 pounds)

**Operator Compartment:****Standard:**

Operator control station provides one-position access to all chassis and crane functions. Includes adjustable operator's seat, retracting seat belt, fire extinguisher and bubble level.

**Operator Compartment Options and Accessories:****Operator Guard: (OG-11) (Not Available with Cab)**

Tubular steel weldment with heavy expanded steel mesh top section, bolts over the operator's compartment.  
(Net Weight: 60 pounds)

**Operator Guard Cover: (OGC-3)**

Clear vinyl cover goes over guard (OG-11) for inclement weather. Has zipper and velcro roll-up door.  
(Net Weight: 15 pounds)

**Operator Guard Door: (OGD-5)**

Hinged door covers operator compartment side opening. Has latch handle outside and knob inside. Rubber gasket contacts chassis. (Net Weight: 40 pounds)

**Operator Compartment Options and Accessories: (Cont'd)****All Weather Cab: (WC-36, 39)**

Consists of rigid mounted canopy section and removable hinged door with safety glass. Rugged canopy structure with laminated glass front and top. Door is equipped with a keyed lock to protect operator's station. Includes defroster fan, dome light, 12,400 BTU heater with 2-speed fan and 12V electric windshield wiper. There are sliding windows in the door and right-hand side. Also includes locking caps for fuel and hydraulic tanks.

(Net Weight: 220 pounds)

**Cab Heater Only: (CH-10, 11)**

Provides 12,400 BTU heater with two-speed fan for units without All Weather Cab. (Net Weight: 12 pounds)

**Windshield Washer: (WA-3)**

Provides reservoir, pump and nozzle for windshield washer.

**Floor Mat: (FM-7)**

Vinyl mat with foam backing covers floor, front wall and lower portion of right hand wall of operator's compartment.

(Net Weight: 5 pounds)

**Operator's Suspension Seat: (SSO-2)**

Provides additional operator comfort. (Net Weight: 15 pounds)

**Noise Reduction Kit - Cab: (NR-4)**

Includes vinyl floor mats and control valve cover and side panels of foam-backed, perforated vinyl for noise reduction. (Net Weight: 15 pounds)

**Air Conditioning:**

Complete system using R134a coolant has combination cooling and heating unit in cab. (Net Weight: 125 pounds)

**Electrical System:****Standard****12 Volt DC****Battery:**

Gas Units: Group 27 with 540 CCA rating.

Diesel Units: Group 31 with 950 CCA rating.

**Lighting Group:**

Consists of two 12V lamps, with high and low beams for driving; tail, brake and turn signal lights and backup lights in rear; front turn signals; and emergency flasher switch at operator's station. 12V horn actuated by button located on shifting control.

**Instrument Group:**

Located at operator's station and includes fuel gauge, ammeter, oil pressure, water temperature and transmission oil temperature gauges. All gauges are lighted. Hourmeter records hours only during actual engine operation. Also included are warning lights for low transmission pressure, turn signals, high beams, hazard lights, parking brake and four-wheel drive.

**Back-Up Alarm:**

Provides pulsating sound from a 97 dB alarm when ignition is on and transmission is in reverse.

**Outrigger Alarm System:**

112 dB alarm with alternating two-tone sound is actuated by a switch when the "outrigger down" controls are operated.

**Optional Electrical Accessories:****Strobe Lights: (SL-6)**

Two yellow strobe lights, one on each side of turret weight box, for high visibility all around crane. Flashes 60-120 times per minute. Each strobe draws only one-half amp. Includes operator controlled switch.

(Net Weight: 5 pounds)

**Amber Rotating Beacons: (ARB-5)**

Amber rotating beacon mounted on each side of turret weight box. (Net Weight: 10 pounds)

**Boom Work Lights: (WL-6)**

Two halogen work lights, one on left side of boom to light boom tip, and one on right side of the turret to light ground under boom tip. Includes switch at operator's station. (Net Weight: 10 pounds)

**Hydraulic System:****Standard:**

Tandem pump, direct-driven by engine, delivers 29 GPM at 2,600 PSI and 34 GPM at 2,500 PSI at 2,500 RPM governed engine speed. System protected by relief valves, suction line strainer and 10 micron return line filter. 54 gallon reservoir equipped with breather and filler cap. (Maximum pressure on IC-200-3F is 3000 PSI on the 29 GPM section of the pump.)

**Boom Assembly:****Standard:**

Three or four-section, high strength steel construction, equipped with bearing pads for efficient support and extension. Double-acting hydraulic cylinder telescopes booms. The telescope cylinder and the double-acting boom elevation cylinder are equipped with direct-connected holding valves. The four sections on the IC-200-3F telescope proportionally. Boom angle indicator is on side of boom.

**Boom Rotation:****Standard:**

Heavy-duty bearing rotation gear with external teeth supports boom. Rotation is powered by hydraulic motor and worm gear drive. Rotation gearbox may be adjusted as wear occurs to minimize backlash. Boom is attached by high strength steel weldment.

**Boom Hoist:****Standard:**

Turret-mounted planetary gear hoist is hydraulically powered to provide a bare-drum line pull of 10,000 pounds at a speed of 100 feet per minute. Hoist drum is 9 7/8 inch diameter by 16 1/2 inches long. The hoist includes 240 feet for -1F & -2F and 305 feet for -3F of 1/2 inch wire rope, 125 pound downhaul weight and swivel hook.

**Boom Attachments:****Standard:****Anti-Two-Block Device:**

Prevents damage to hoist rope and/or machine components from accidentally pulling sheave block or downhaul weight against boom tip. Consists of trip arm at boom tip which is moved upward by sheave block or downhaul weight as hook approaches boom tip. Trip arm actuates electric switch that is connected through cable reel mounted on boom to solenoid dump valve in the hydraulic circuit. This valve will dump the HOIST RAISE, TELESCOPE EXTEND, BOOM LOWER, SWING LEFT and SWING RIGHT circuits. No other circuits are affected. These circuits are returned to normal operation by operating the HOIST LOWER, BOOM RAISE or TELESCOPE RETRACT" control. There is also an override button on the Rated Capacity Limiter and an override keyswitch under the dashboard.

**Rated Capacity Limiter:**

Warns operator of impending overload with audible and visual signals. Has read-outs for load, boom angle, boom length and load radius. Prevents overload by dumping boom functions that cause overload: HOIST RAISE, TELESCOPE EXTEND, BOOM LOWER, SWING LEFT and SWING RIGHT. These circuits are returned to normal by lowering load to a safe resting place with hoist or by retracting or raising boom to a shorter load radius. There is also an override button on the RCL control panel and an override switch under the dashboard.

**Four-Part-Line Sheave Block:**

Double sheave block for four-part-line requirements. 10 inch O.D. sheaves for 1/2 inch diameter wire rope. Swivel hook with safety latch. 210 pound weight provides positive overhaul. Includes bar on top to actuate trip arm of Anti-Two-Block Device.

**Optional Boom Attachments:****Boom Extension - 15 Ft., 1F, 2F only: (BE-41)**

Provides 15 feet of additional length for lifting loads with load line. Boom extension may be stowed alongside base boom section when not in use. Tip sheave, attaching brackets and pins included. Deduct 400 pounds from Capacity Chart when boom extension is in the stowed position. Includes trip arm for Anti-Two-Block Device. (Net Weight: 520 pounds)

**Boom Extension - 15 Ft. Offset, 2F only: (BE-42)**

Provides 15 feet of additional length for lifting loads with load line. Boom extension may be stowed along side base boom section when not in use. Tip sheave, attaching brackets and pins included. Deduct 400 pounds from Capacity Chart when boom extension is in the stowed position. Includes trip arm for Anti-Two-Block Device. Boom extension will tilt through three positions, in line, 15 degree offset and 30 degree offset. (Net Weight: 670 pounds)

**Optional Boom Attachments: (Cont'd)****Boom Extension - 16 Ft. Offset, 3F only: (BE-43)**

Provides 16 feet of additional length for lifting loads with load line. Boom extension may be stowed along side base boom section when not in use. Tip sheave, attaching brackets and pins included. Deduct 400 pounds from Capacity Chart when boom extension is in the stowed position. Includes trip arm for Anti-Two-Block Device. Boom extension will tilt through three positions, in line, 15 degree offset and 30 degree offset. (Net Weight: 550 pounds)

**Two-Part-Line Sheave Block: (SB-8)**

Single sheave block for two-part-line requirements. Block is shorter than normal, 21 1/2" from top to saddle of load hook. 10" O.D. sheave for 9/16" and 1/2" rope. Swivel hook with safety latch. Includes bar on top to actuate trip arm of Anti-Two-Block Device. (Net Weight: 124 pounds)

**Searcher Hook: (Nose Mount) (SH-6)**

5,000 pound capacity hook bracket is attached to the front of the boom tip with four pins through the boom extension attachment lugs. A hook with latch is pinned to the tip of the bracket. (Net Weight: 95 pounds)

**Should you, as the end user, require an option or special equipment on your IC-200-F that is not listed on our sales literature, please contact your dealer salesperson or the factory to receive a special quoted price.**

**\*\*\* Specifications subject to change without notice \*\*\***

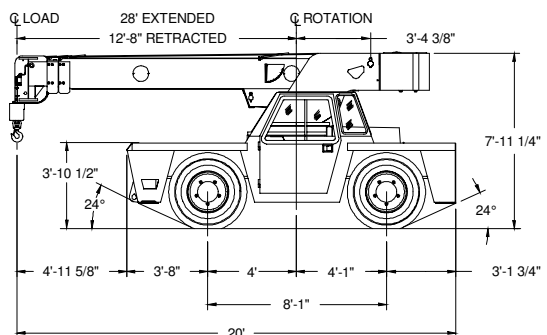
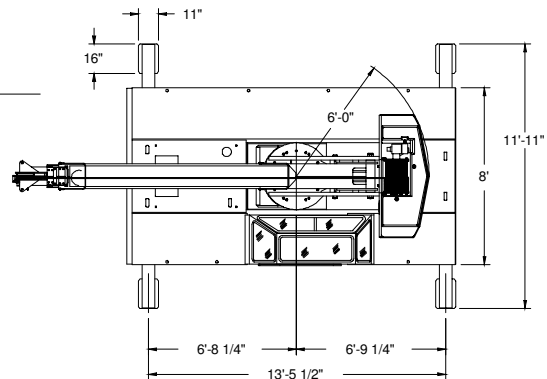
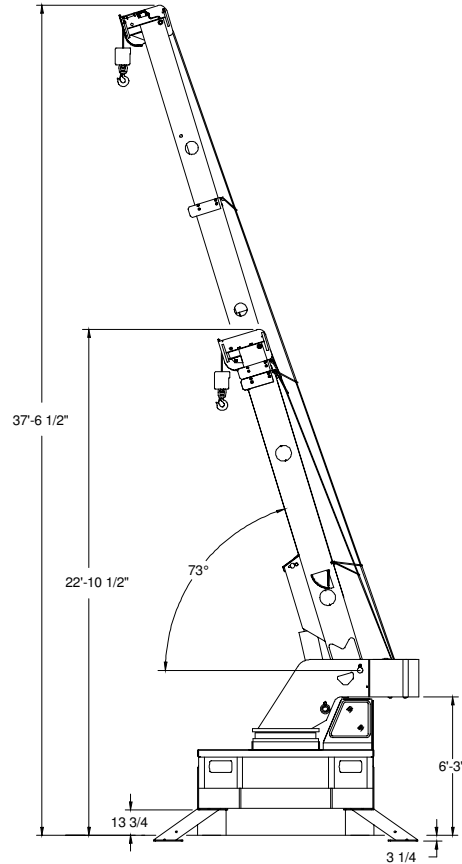
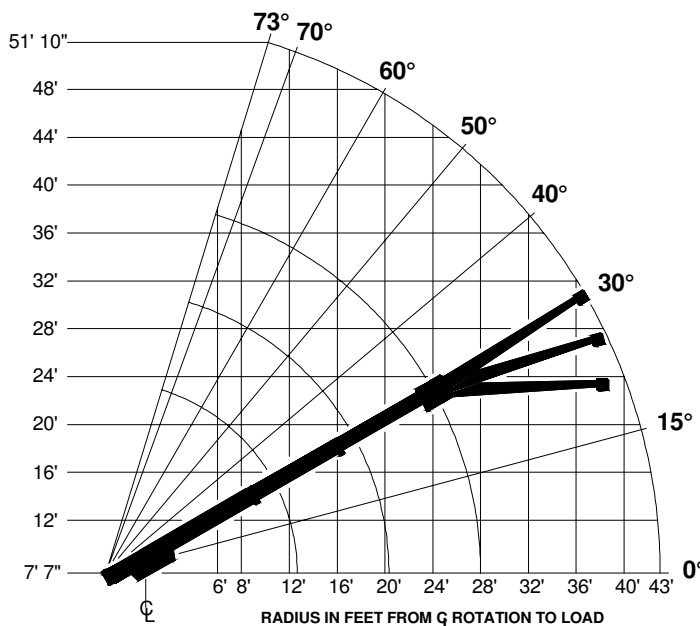
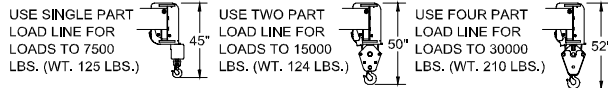
## CRANE CAPACITY CHART IC-200-1F

**CAPACITIES APPLY TO OPERATION ON FIRM LEVEL SURFACE**

LOAD RADIUS FEET	MAIN BOOM OR EXTENSION CAPACITIES IN POUNDS							
	360° ROTATION		OVER FRONT					
	ON RUBBER	ON OUTRIGGERS	ON RUBBER	ON OUTRIGGERS				
6	16500	30000	17000	30000				
8	13500	24000	13800	24000				
10	11000	20000	11500	20000				
12	8200	16400	9600	16400				
14	6400	12700	7700	12700				
16	5200	11200	6300	11200				
18	4300	9900	5200	9900				
20	3600	8900	4400	8900				
22	3100	7950	3800	8100				
24	2750	6950	3300	7400				
26	2400	6150	3000	6700				
28	2150	5500	2600	6200				
30	2000	4300	2500	4300				
32	1800	3950	2250	3950				
36	1400	3450	1800	3450				
40	1000	3100	1400	3200				
43	700	2900	1200	3100				
15' BOOM EXT. ANGLE	15-FOOT BOOM EXTENSION - STRAIGHT OR OFFSET MAIN BOOM ANGLE							
	0°	15°	30°	40°	50°	60°	70°	
	---	3100	3450	3900	4650	6000	7500	
0°	---	3000	3100	3300	3650	4250	5200	
15°	---	---	3000	3050	3200	3450	3900	
30°	---	---	---	---	---	---	---	

**CAUTION** BOOM EXTENSION LOADS MUST NOT EXCEED MAIN BOOM CAPACITY.

BOOM EXTENSION DEDUCT: 400 LBS. WHEN STOWED ON BASE BOOM;  
800 LBS. IN WORK POSITION WITH LOAD ON MAIN BOOM.





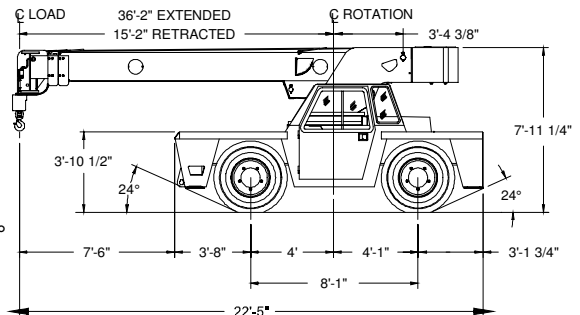
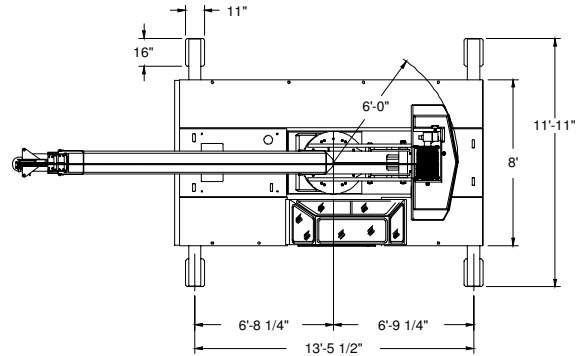
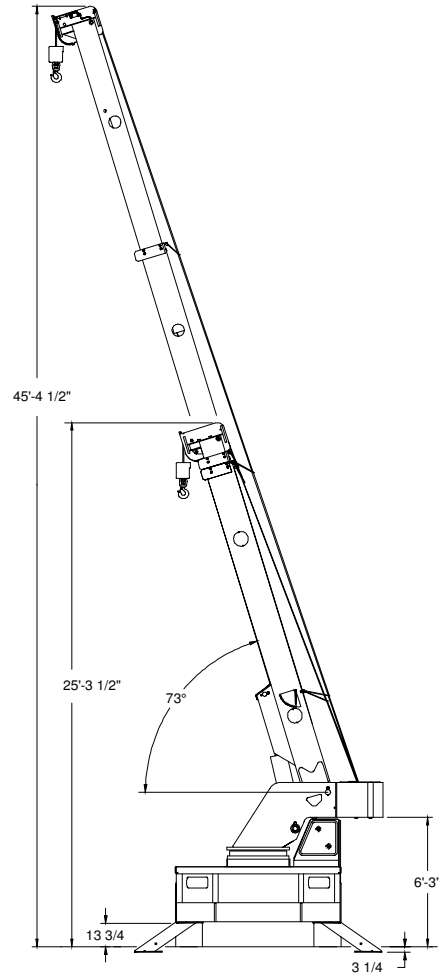
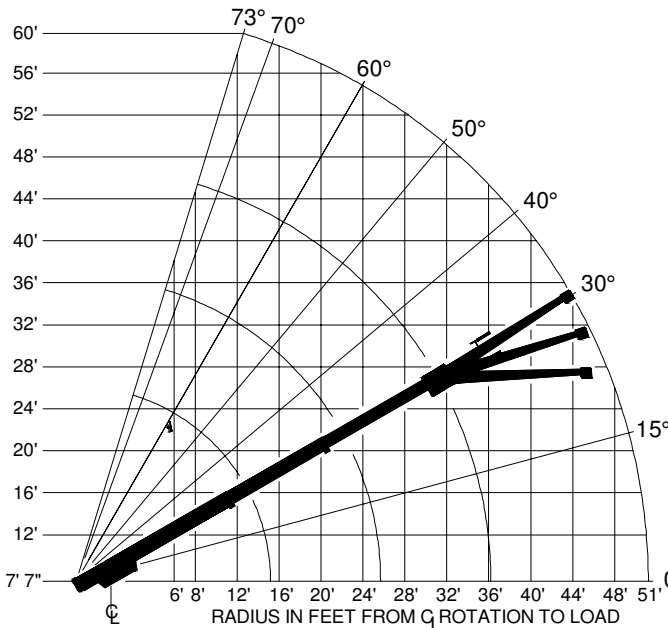
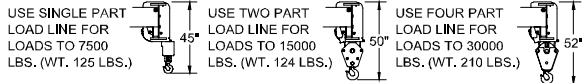
## CRANE CAPACITY CHART IC-200-2F

CAPACITIES APPLY TO OPERATION ON FIRM LEVEL SURFACE

LOAD RADIUS FEET	MAIN BOOM OR EXTENSION CAPACITIES IN POUNDS						
	360° ROTATION		OVER FRONT				
	ON RUBBER	ON OUTRIGGERS	ON RUBBER	ON OUTRIGGERS			
6	16200	30000	17000	30000			
8	13200	24000	13800	24000			
10	11000	19800	11500	19800			
12	8100	16100	9600	16100			
14	6250	13500	7900	13500			
16	5000	11200	6300	11200			
18	4100	10000	5100	10000			
20	3400	8800	4300	8800			
22	2850	7700	3600	7800			
24	2400	6600	3000	6900			
26	2100	5750	2600	6200			
28	1850	5150	2300	5700			
30	1650	4650	2100	5300			
32	1450	4200	1850	4900			
36	1150	3400	1500	4200			
40	900	3050	1200	3600			
44	650	2600	950	3100			
48	450	2200	750	2700			
51	250	1900	600	2400			
15' BOOM EXT. ANGLE	15-FOOT BOOM EXTENSION - STRAIGHT OR OFFSET						
	MAIN BOOM ANGLE						
	0°	15°	30°	40°	50°	60°	70°
0°	---	3100	3450	3900	4650	6000	7500
15°	---	3000	3100	3300	3650	4250	5200
30°	---	---	3000	3050	3200	3450	3900

CAUTION BOOM EXTENSION LOADS MUST NOT EXCEED MAIN BOOM CAPACITY.

BOOM EXTENSION DEDUCT: 400 LBS. WHEN STOWED ON BASE BOOM;  
800 LBS. IN WORK POSITION WITH LOAD ON MAIN BOOM.



# IC-200-3F

LOAD RADIUS FEET	CAPACITIES IN POUNDS FOR OPERATION ON FIRM LEVEL SURFACE							
	MAIN BOOM ONLY				BOOM EXTENSION			
	ON RUBBER		ON OUTRIGGERS		ON RUBBER		ON OUTRIGGERS	
	360°	FRONT	360°	FRONT	360°	FRONT	360°	FRONT
6	16000	16400	30000	30000	---	---	---	---
8	12500	13000	22400	22400	---	---	---	---
10	10000	10500	18500	18500	7500	7500	7500	7500
12	8040	8700	15700	15700	7500	7500	7500	7500
14	6500	7200	13500	13500	7500	7500	7500	7500
16	5330	6200	10800	10800	6140	7500	7500	7500
18	4450	5400	9560	9560	5010	6440	7500	7500
20	3720	4700	8550	8550	4200	5430	7500	7500
22	3140	4200	7700	7700	3580	4650	6850	6850
24	2680	3700	6980	6980	3080	4030	6250	6250
26	2300	3200	6300	6300	2660	3530	5750	5750
28	1980	2800	5550	5800	2290	3100	5300	5300
30	1700	2460	4830	5320	1990	2710	4920	4920
32	1470	2150	4200	4900	1730	2400	4580	4580
34	1260	1850	3700	4520	1510	2130	4270	4270
38	920	1300	2970	3870	1140	1680	3530	3760
42	640	950	2400	3340	840	1320	2960	3340
46	390	650	1840	2890	600	1040	2440	2980
50	0	550	1750	2520	410	800	2040	2630
54	---	---	---	---	0	600	1710	2290
58	---	---	---	---	0	430	1370	2000
62	---	---	---	---	0	290	1140	1740
66	---	---	---	---	0	0	930	1500

BOOM EXT. ANGLE	BOOM EXTENSION - STRAIGHT OR OFFSET							
	MAIN BOOM ANGLE							
	0°	15°	30°	40°	50°	60°	70°	
0°	3000	3100	3450	3900	4650	6000	7500	
15°	---	3000	3000	3000	3000	3700	5000	
30°	---	---	2500	2500	2600	3100	3800	

**CAUTION** BOOM EXTENSION LOADS MUST NOT EXCEED CAPACITIES IN ANGLE CHART AND LOAD RADIUS CHART.

CAPACITIES ON OUTRIGGERS ARE 85% OF TIPPING LOADS. CAPACITIES ON RUBBER ARE 75% OF TIPPING LOADS. CAPACITIES BELOW BOLD LINE ARE LIMITED BY TIPPING. OTHER CAPACITIES ARE LIMITED BY STRUCTURAL OR HYDRAULIC CAPABILITY.

USE SINGLE PART LOAD LINE FOR LOADS TO 7500 LBS. (WT. 125 LBS.)



USE FOUR PART LOAD LINE FOR LOADS TO 30000 LBS. (WT. 210 LBS.)

