



Page 1 of 13
Date: Aug. 2008
Replaces: Form DD106F
Dated: July 2006

The IC-200-G is a self-propelled Industrial Crane designed for material handling and installation, maintenance and repair of equipment, with special features of self-loading cargo decks, 4-wheel steer, and front-wheel drive (4-wheel drive optional). The basic unit consists of a chassis and hydraulic boom assembly. The chassis includes a frame, four hydraulic independently controlled outriggers, engine, torque converter, powershift 4-speed transmission, front planetary drive/steer axle and rear steer-only axle, fuel tank, hydraulic tank, control station, power steering and dual power brakes. The boom assembly includes a hydraulic powered continuous rotation turret, 3 or 4-section telescopic boom, hydraulic boom elevating cylinder, hydraulic boom telescope cylinders and hydraulic powered hoist. A Rated Capacity Limiter is standard.

IC-200-2G:

3-section hydraulically extended boom with capacity of 30,000 pounds (13,600 kg) at a 6 foot (1.83 m) load radius. Horizontal reach of 36 feet (10.97 m) and vertical reach of 45 feet (13.72 m).

IC-200-3G:

4-section proportional hydraulically extended boom with capacity of 30,000 pounds (13,600 kg) at a 6 foot (1.83 m) load radius. Horizontal reach of 50 feet (15.24 m) and vertical reach of 58 feet (17.68 m).

General:	IC-200-2G	IC-200-3G
Weight:		
Front Axle	13,900 lbs. (6,300 kg)	15,400 lbs. (7,000 kg)
Rear Axle	14,300 lbs. (6,500 kg)	15,200 lbs. (6,900 kg)
Total	28,200 lbs. (12,800 kg)	30,600 lbs. (13,900 kg)
Length:		
Overall	22 ft. 6 in. (6.86 m)	22 ft.10 in. (6.96 m)
Chassis	14 ft. 11 in. (4.55 m)	14 ft.11 in. (4.55 m)
Width:	7 ft. 10 1/2 in. (2.41 m)	
Height:		
Overall	7 ft. 11 in. (2.41 m)	
Deck	3 ft. 10 in. (1.17 m)	
Wheelbase:	97 in. (2.46 m)	
Ground Clearance:	13 3/4 in. (35 cm)	
Angle of Approach:	23 degrees	
Angle of Departure:	22 degrees	
Outriggers:		
Spread	11 ft. 10 in. (3.61 m)	
Penetration	3 1/2 in. (89 mm)	
Turning Radius:		
4-Wheel Steering	14 feet 5 inches (4.39 m)	
Aisle Width for 90° Turn	11 feet 8 inches (3.56 m)	
Steering Modes:	Rear Steer, Round Steer, Crab Steer	
Road Speed	18 MPH (29 kph)	
Gradeability (Calculated)	54 percent (28 degrees)	
Grade Limit	15 percent	

General (Cont'd):

Boom Movement:	<u>IC-200-2G</u>	<u>IC-200-3G</u>
Rotation	Continuous	Continuous
Elevation	0 to 73 deg.	0 to 73 deg.
Telescope	21 ft. (6.4 m)	34 ft. 6 in. (10.52 m)

Boom Speeds:		
Rotation	1.9 RPM	1.9 RPM
Elevation	20 seconds	20 seconds
Extension*	36 seconds	55 seconds

*With synchronized hoist cable.

Sheave Height (Nominal):		
W/O Boom Extension	45 ft. 4 in. (13.82 m)	58 ft. 8 in. (17.98 m)
With Boom Extension	59 ft. 6 in. (15.54 m)	73 ft. 8 in. (20.12 m)

Horizontal Reach:		
W/O Boom Extension	36 ft. (10.97 m)	50 ft. (15.24 m)
With Boom Extension	51 ft. (15.54 m)	66 ft. (22.5 m)

Engine:

Standard:

GM 4.3L V-6, EPA Tier 2 Woodward Dual Fuel:

GM Model 4.3L V-6 industrial gasoline engine with multiport electronic fuel injection, dual fuel, catalytic converter, and engine management system. Water cooled, 262 CI (4.3 L) displacement, 4.00 in. (10.2 cm) bore, 3.48 in. (8.8 cm) stroke, 93 HP (69.4 kw) at governed speed of 2,500 RPM. Maximum torque 206 ft. lbs. (279 n-m) at 1,650 RPM. Includes special exhaust valves, seats and valve rotators for use with LPG, 70-amp alternator, 30 gallon (114 L) fuel tank and 43 pound (19.5 kg) LPG tank. High temperature and low oil pressure shutdown is included in engine management system. Throttle control switch for setting engine speed at 1,200 or 1,800 RPM.

Optional Engines and Engine Accessories:

Diesel Engine, Cummins QSB3.3L Turbo, EPA Tier 3:

Cummins Model QSB3.3 turbocharged diesel engine. Water cooled, 4-cylinder, 199 (3.3 L) CID, 3.74 in. (9.5 cm) bore, 4.53 in. (11.5 cm) stroke, 99 HP (74 kw) at governed speed of 2,500 RPM. Maximum torque is 304 ft. lbs. (410 n-m) at 1,400 RPM. 120-amp alternator included. 30 gallon (114 L) fuel tank capacity. High temperature and low oil pressure shutdown included in engine management system. Throttle control switch for setting engine speed at 1,200 or 1,800 RPM. Charge air cooler and grid heater included. Net Weight: 200 pounds (91 kg)

Spark Arrester Muffler:

Spark arrester muffler used in addition to standard muffler. Net Weight: 10 pounds (4.5 kg)

Catalytic Converter:

Catalytic converter for diesel engines. Reduces engine emissions. Net Weight: 10 pounds (4.5 kg)

Engine Heater:

Heater for engine. Engine coolant heater installed with hoses in coolant system to circulate warm water through engine. Plugs into 120 volt AC extension cord. 1,500 watts.

Transmission:

Standard 2-Wheel Drive:

Powershift transmission with four speeds in forward and reverse. Provides powershifts at any engine speed in any gear. All shifting is done with a single lever electrical control mounted on the steering column. Multiple-disc clutch packs operated by solenoid valves provide reverse, neutral, forward and speed selection. Equipped with oil cooler and filter.

Optional 4-Wheel Drive Transmission:

Same as 2WD transmission with an additional output shaft to drive the rear axle. Electro-hydraulic control for shifting between 2WD and 4WD. This option includes the 4-wheel drive axle listed below.

Transmission gear ratios: Forward and Reverse (2WD & 4WD)

1st	5.72 to 1.0
2nd	3.23 to 1.0
3rd	1.77 to 1.0
4th	1.00 to 1.0

Torque Converter:**Standard:**

Stall torque ratio of 2.2:1, attached to engine flywheel.

Front Axle:**Standard:**

Planetary drive/steer front axle with 15.78 to 1.0 ratio. Differential equipped with "limited slip" feature. Driving effort is applied to wheel that has traction. Front axle mounted rigidly to frame.

Calculated Performance:

Gear	Drawbar Pull (pounds)	Travel Speeds (MPH)
1st	17,000* (7,711 kg)	3 (4.83 km/h)
2nd	8,900* (4,037 kg)	5 (8.05 km/h)
3rd	5,100* (2,313 kg)	10 (16.1 km/h)
4th	2,700* (1,225 kg)	18 (28.97 km/h)

*Calculated for GM 4.3L engine. Wheels will spin in 1st or 2nd gear before these values are reached with 2-wheel drive.

Rear Axle:**Standard 2-Wheel Drive:**

Steering Axle with 1 1/2 degree oscillation in either direction.

Optional 4-Wheel Drive:

Planetary drive/steer axle with 24.98 to 1.0 ratio. Differential is not "limited slip" in rear axle. 1 1/2 degree oscillation in either direction. (Axle ratio compatible with 4WD transmission output for front axle match.) Net Weight: 160 pounds (73 kg)

Steering:**Standard:**

Hydraulic steering unit with two 3-inch (7.62 cm) cylinders attached to each axle. Allows limited steering when engine is not running. Rear axle is the primary steer. An electric switch in the operator's compartment is used to select rear-wheel steering, four-wheel round steering or crab steering. Electronic sensors and control box automatically align the steering when a new mode is selected.

Brakes:**Standard:**

Split-system, four-wheel hydraulically-boosted multiple-plate wet disc brakes. Uses mineral oil. Hand lever actuated disc-type parking brake on transmission.

Tires:**Standard 2-Wheel & 4-Wheel Drive:**

15x22.5, 16 ply rating.

Tire Options:**Non-Marking Pneumatic:**

385/65D22.5 16 ply rating Net Weight: 2,000 pounds (9 kg)

Foam Filling of Tires:

Foam filling of four IC-200 tires. Net Weight: 2,000 pounds (900 kg)

Tire Options: (Cont'd)**Spare Tire and Wheel Mounted Standard Tire:**

Extra wheel with standard tire (15X22.5, 16 ply) mounted, ready for service. Net Weight: 350 pounds (160 kg)

Spare Tire and Wheel Mounted. Non-Marking Pneumatic:

Extra wheel with Non-Marking tire (385/65D22.5, 16 ply) mounted, ready for service. Net Weight: 350 pounds (160 kg)

Chassis:**Standard:****Cargo Deck:**

Total Deck Area: 72 Square Feet (6.7 m²). A maximum of 17,000 pounds (7,711 kg) may be carried on the deck at creep speed when centered over or between axles. Seven stake pockets are provided along edges of deck for 1 inch (2.5 cm) pipe stakes. Stakes furnished. Cargo decks have skid resistant coating.

Lifting Rings:

Consists of four rings, one at each corner of the load deck, so sling can be attached for lifting crane. Rings hang below deck surface when not in use.

Steps:

A step is located on each front corner providing access to deck area.

Outriggers:

Four hydraulic outriggers of box-beam construction. Independent control for each outrigger. Hydraulic cylinders are equipped with direct-connected holding valves. Pad dimensions: 11 inches x 16 inches (28 cm x 41 cm).

Pulling Eyes:

Two heavy eyes in front bumper provide for attachment of hook block so main winch line can be used for pulling loads at or near floor level. Also for anchoring tag lines from load on hook.

Tie Downs:

Two holes in the rear bumper (in conjunction with the pulling eyes) provide tie down locations for transporting crane by truck or cargo container.

Accessory Storage Box:

Consists of front deck plate with removable and lockable cover, and box for carrying sheave block and other items. Storage box is 14" (35.6 cm) deep x 10 1/2" (26.7 cm) wide x 36 1/2" (92.7 cm) long.

Chassis Options and Accessories:**Auxiliary Winch:**

Optional worm gear winch, mounted behind front bumper, with a single lever control at the operator's console. Hydraulic powered to provide bare drum line pull of 10,000 lbs. (4,535 kg) at 40 ft. (12 m) per minute. Winch drum is 3 1/2" (8.9 cm) dia. by 10" (25.4 cm) long. This winch includes 115 ft. (35 m) of 7/16" (11 mm) wire rope, hook and four-way roller guide. This rope can pull 5,800 lbs. (2,630 kg) with a safety factor of 3.5:1. Net Weight: 250 pounds (113 kg)

Pintle Hook - Rear:

T-60-AOL Holland pintle hook mounted on rear frame member, provides capacity for 6,000 lbs. (2,700 kg) tongue weight and 30,000 lbs. (13,600 kg) trailer weight. Net Weight: 15 pounds (7 kg)

Pintle Hook - Front:

T-60-AOL Holland pintle hook mounted on front frame member provides capacity for 6,000 lbs. (2,700 kg) tongue weight and 30,000 lbs. (13,600 kg) trailer weight. Net Weight: 15 pounds (7 kg)

Headlight and Taillight Grilles:

Consists of welded steel protective grilles for headlights and taillights. Easily removable for replacing bulbs. Net Weight: 40 pounds (18 kg)

Rearview Mirrors:

One right-hand and one left-hand mirror, 6" (15 cm) wide x 16" (41 cm) high, mounted on deck stakes. Pivot out of way when contacted by obstacle at side of deck. Net Weight: 12 pounds (5.4 kg)

Operator Compartment:**Standard:**

Operator control station provides one-position access to all chassis and crane functions. Includes adjustable operator's seat and seat belt.

Operator Compartment Options and Accessories:**Operator Guard: (Not Available with Cab)**

Tubular steel weldment with heavy expanded steel mesh top section, bolts over the operator's compartment.
Net Weight: 60 pounds (27 kg)

Operator Guard Cover:

Clear vinyl cover goes over guard for inclement weather. Has zipper and velcro roll-up door.
Net Weight: 15 pounds (7 kg)

All Weather Cab:

Consists of rigid mounted canopy section and removable hinged door with safety glass. Rugged canopy structure with laminated glass front and top. Door is equipped with a keyed lock to protect operator's station. Includes defroster fan, dome light, 12,400 BTU heater with 2-speed fan and 12V electric windshield wiper. There are sliding windows in the door and right-hand side. Net Weight: 220 pounds (100 kg)

Cab Heater Only:

Provides 12,400 BTU heater with two-speed fan for units without All Weather Cab.
Net Weight: 12 pounds (5.4 kg)

Windshield Washer:

Provides reservoir, pump and nozzle for windshield washer.

Floor Mat:

Vinyl mat with foam backing covers floor, front wall and lower portion of right hand wall of operator's compartment.
Net Weight: 5 pounds (2.25 kg)

Operator's Suspension Seat:

Provides additional operator comfort. Net Weight: 15 pounds (7 kg)

Noise Reduction Kit - Cab:

Includes vinyl floor mats and control valve cover and side panels of foam-backed, perforated vinyl for noise reduction.
Net Weight: 15 pounds (7 kg)

Air Conditioning:

Complete system using R134a coolant has combination cooling and heating unit in cab.
Net Weight: 125 pounds (57 kg)

Electrical System:**Standard****12 Volt DC:****Battery:**

Gas Units: Group 27 with 540 CCA rating.

Diesel Units: Group 31 with 950 CCA rating.

Lighting Group:

Consists of two 12V lamps, with high and low beams for driving; tail, brake and turn signal lights and backup lights in rear; front turn signals; and emergency flasher switch at operator's station. 12V horn actuated by button located on shifting control.

Instrument Group:

Located at operator's station, includes fuel gauge and hourmeter which records hours only during actual engine operation. Also included are warning lights for low oil and transmission pressure, check engine, high coolant and transmission temperature, turn signals, high beams, hazard lights, parking brake and four-wheel drive.

Electrical System: Cont'd**Back-Up Alarm:**

Provides pulsating sound from a 97 dB alarm when ignition is on and transmission is in reverse.

Outrigger Alarm System:

112 dB alarm with alternating two-tone sound is actuated by a switch when the "outrigger down" controls are operated.

Optional Electrical Accessories:**Strobe Lights:**

Two yellow strobe lights, one on each side of turret weight box, for high visibility all around crane. Flashes 60-120 times per minute. Each strobe draws only one-half amp. Includes operator controlled switch.

Net Weight: 5 pounds (2.25 kg)

Amber Rotating Beacons:

Amber rotating beacon mounted on each side of turret weight box. Net Weight: 10 pounds (4.5 kg)

Boom Work Lights:

Two halogen work lights, one on left side of boom to light boom tip, and one on right side of the turret to light ground under boom tip. Includes switch at operator's station. Net Weight: 10 pounds (4.5 kg)

Hydraulic System:**Standard:**

Tandem pump, direct-driven by engine, delivers 29 GPM (110 L/m) at 2,600 PSI (180 bar) and 34 GPM (129 L/m) at 2,500 PSI (172 bar) at 2,500 RPM governed engine speed. System protected by relief valves, suction line strainer and 10 micron return line filter. 54 gallon (204 L) reservoir equipped with breather and locking filler cap. (Maximum pressure on IC-200-3 is 3,000 PSI (207 bar) on the 29 GPM (110 L/m) section of the pump.)

Boom Assembly:**Standard:**

Three or four-section, high strength steel construction, equipped with bearing pads for efficient support and extension. Double-acting hydraulic cylinder telescopes booms. The telescope cylinder and the double-acting boom elevation cylinder are equipped with direct-connected holding valves. The four sections on the IC-200-3G telescope proportionally. Boom angle indicator is on side of boom.

Boom Swing:**Standard:**

Heavy-duty bearing swing gear with external teeth supports boom. Rotation is powered by hydraulic motor and worm gear drive. Swing gearbox may be adjusted as wear occurs to minimize backlash. Boom is attached by high strength steel weldment.

Boom Hoist:**Standard:**

Turret-mounted planetary gear hoist is hydraulically powered to provide a bare-drum line pull of 10,000 pounds (4,535 kg) at a speed of 100 feet (30 m) per minute. Hoist drum is 9 7/8 inch (25 cm) diameter by 16 1/2 inches (42 cm) long. The hoist includes 240 feet (73 m) for IC-200-2G and 291 feet (89 m) for IC-200-3G of 1/2 inch (12.7 m) wire rope, 125 pound (57 kg) downhaul weight and swivel hook.

Boom Attachments:**Standard:****Anti-Two-Block Device:**

Prevents damage to hoist rope and/or machine components from accidentally pulling sheave block or downhaul weight against boom tip. Consists of trip arm at boom tip which is moved upward by sheave block or downhaul weight as hook approaches boom tip. Trip arm actuates electric switch that is connected through cable reel mounted on boom to solenoid dump valve in the hydraulic circuit. This valve will dump the **HOIST RAISE, TELESCOPE EXTEND, BOOM LOWER, SWING LEFT** and **SWING RIGHT** circuits. No other circuits are affected. These circuits are returned to normal operation by operating the **HOIST LOWER, BOOM RAISE** or **TELESCOPE RETRACT** control. There is also an override keyswitch under the dashboard.

Boom Attachments: (Cont'd)**Rated Capacity Limiter:**

Warns operator of impending overload with audible and visual signals. Has read-outs for load, boom angle, boom length and load radius. Prevents overload by dumping boom functions that cause overload: **HOIST RAISE, TELESCOPE EXTEND, BOOM LOWER, SWING LEFT** and **SWING RIGHT**. These circuits are returned to normal by lowering load to a safe resting place with hoist or by retracting or raising boom to a shorter load radius. There is also an override switch under the dashboard.

Four-Part-Line Sheave Block:

Double sheave block for four-part-line requirements. 10 inch (25.4 cm) O.D. sheaves for 1/2 inch (12.7m) diameter wire rope. Swivel hook with safety latch. 200 pound (91 kg) weight provides positive overhaul. Includes bar on top to actuate trip arm of Anti-Two-Block Device.

Optional Boom Attachments:**Boom Extension - 15 Ft. (4.6 m) , IC-200-2G:**

Provides 15 feet (4.6 m) of additional length for lifting loads with load line. Boom extension may be stowed alongside base boom section when not in use. Tip sheave, attaching brackets and pins included. Deduct 400 pounds (180 kg) from Capacity Chart when boom extension is in the stowed position. Includes trip arm for Anti-Two-Block Device. Net Weight: 520 pounds (235 kg)

Boom Extension - 15 Ft. (4.6 m) Offset, IC-200-2G:

Provides 15 feet (4.6 m) of additional length for lifting loads with load line. Boom extension may be stowed alongside base boom section when not in use. Tip sheave, attaching brackets and pins included. Deduct 400 pounds (180 kg) from Capacity Chart when boom extension is in the stowed position. Includes trip arm for Anti-Two-Block Device. Boom extension will tilt through three positions, in line, 15 degree offset and 30 degree offset. Net Weight: 670 pounds (9,304 kg)

Boom Extension - 16 Ft. (4.9 m) Offset, IC-200-3G:

Provides 16 feet (4.9 m) of additional length for lifting loads with load line. Boom extension may be stowed alongside base boom section when not in use. Tip sheave, attaching brackets and pins included. Deduct 400 pounds (180 kg) from Capacity Chart when boom extension is in the stowed position. Includes trip arm for Anti-Two-Block Device. Boom extension will tilt through three positions, in line, 15 degree offset and 30 degree offset. Net Weight: 550 pounds (249 kg)

Two-Part-Line Sheave Block:

Single sheave block for two-part-line requirements. Block is specially designed to reduce height, 21 1/2" (54.6 cm) from top to saddle of load hook. 10" (25.4 cm) O.D. sheave for 9/16" (14.3 mm) and 1/2" (12.7 mm) rope. Swivel hook with safety latch. Includes bar on top to actuate trip arm of Anti-Two-Block Device. Net Weight: 124 pounds (56 kg)

Searcher Hook: (Nose Mount)

5,000 pound (2,270 kg) capacity hook bracket is attached to the front of the boom tip with four pins through the boom extension attachment lugs. A hook with latch is pinned to the tip of the bracket. Net Weight: 65 pounds (43 kg)

Should you require an option or special equipment not listed please consult your dealer salesperson or BMC®.

BRODERSON
Manufacturing Corp.
14741 West 106th Street
Lenexa, KS 66215 USA

Tel (913) 888-0606
Fax (913) 888-8431
www.bmccranes.com

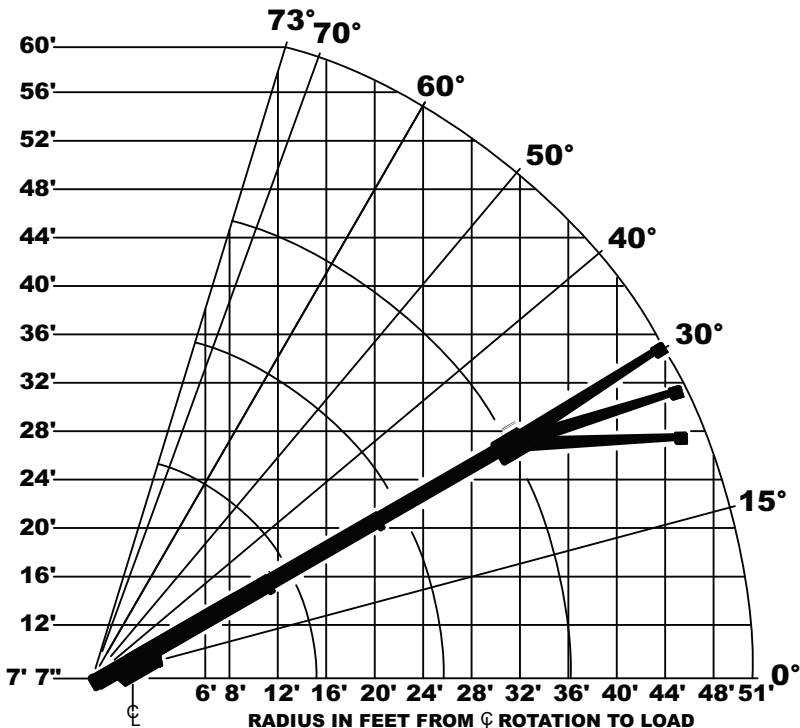
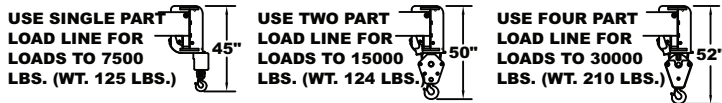
Dimensions and values shown are
for reference purposes only.
Specifications subject to change.



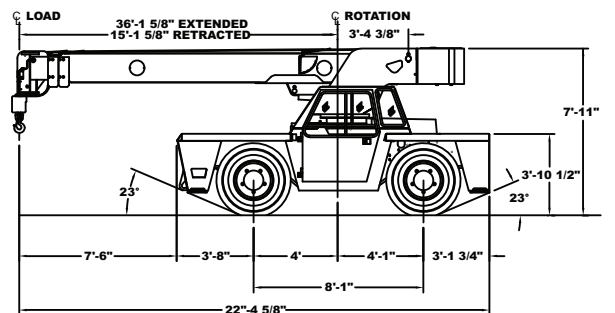
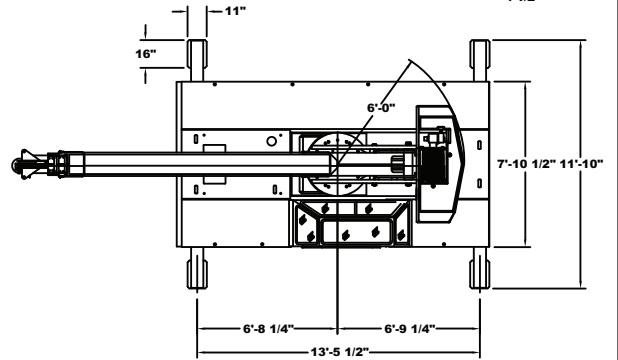
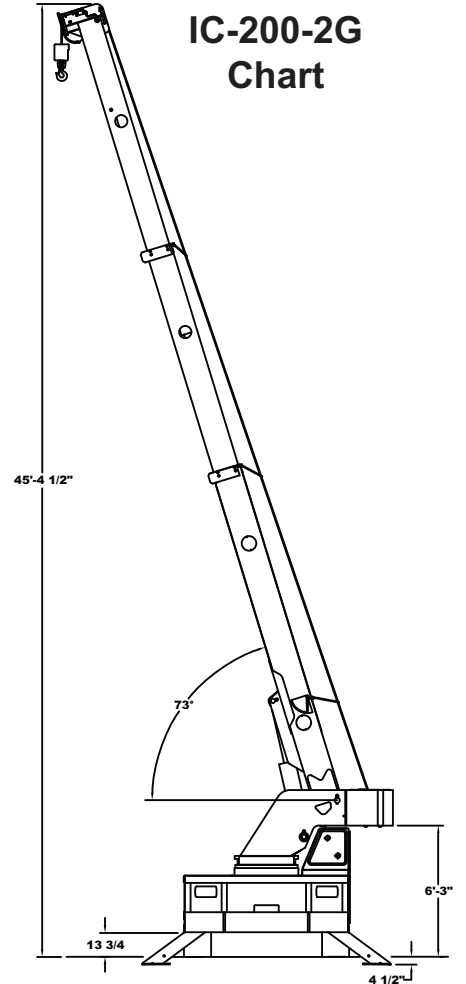
CAPACITIES APPLY TO OPERATION ON FIRM LEVEL SURFACE						
LOAD RADIUS FEET	MAIN BOOM OR EXTENSION CAPACITIES IN POUNDS					
	360° ROTATION		OVER FRONT			
	ON RUBBER	ON OUTRIGGERS	ON RUBBER	ON OUTRIGGERS		
6	16200	30000	17000	30000		
8	13200	24000	13800	24000		
10	11000	19800	11500	19800		
12	8100	16100	9600	16100		
14	6250	13500	7900	13500		
16	5000	11200	6300	11200		
18	4100	10000	5100	10000		
20	3400	8800	4300	8800		
22	2850	7700	3600	7800		
24	2400	6600	3000	6900		
26	2100	5750	2600	6200		
28	1850	5150	2300	5700		
30	1650	4650	2100	5300		
32	1450	4200	1850	4900		
36	1150	3400	1500	4200		
40	900	3050	1200	3600		
44	650	2600	950	3100		
48	450	2200	750	2700		
51	250	1900	600	2400		
15' BOOM EXT.	15-FOOT BOOM EXTENSION - STRAIGHT OR OFFSET					
	BOOM EXTENSION ANGLE	MAIN BOOM ANGLE				
		0°	15°	30°	40°	50° 60° 70°
	0°	3100	3450	3900	4650	6000 7500
15°	3000	3100	3300	3650	4250 5200	
30°	---	---	3000	3050	3200 3450 3900	

CAUTION BOOM EXTENSION LOADS MUST NOT EXCEED MAIN BOOM CAPACITY.

BOOM EXTENSION DEDUCT: 400 LBS. WHEN STOWED ON BASE BOOM.

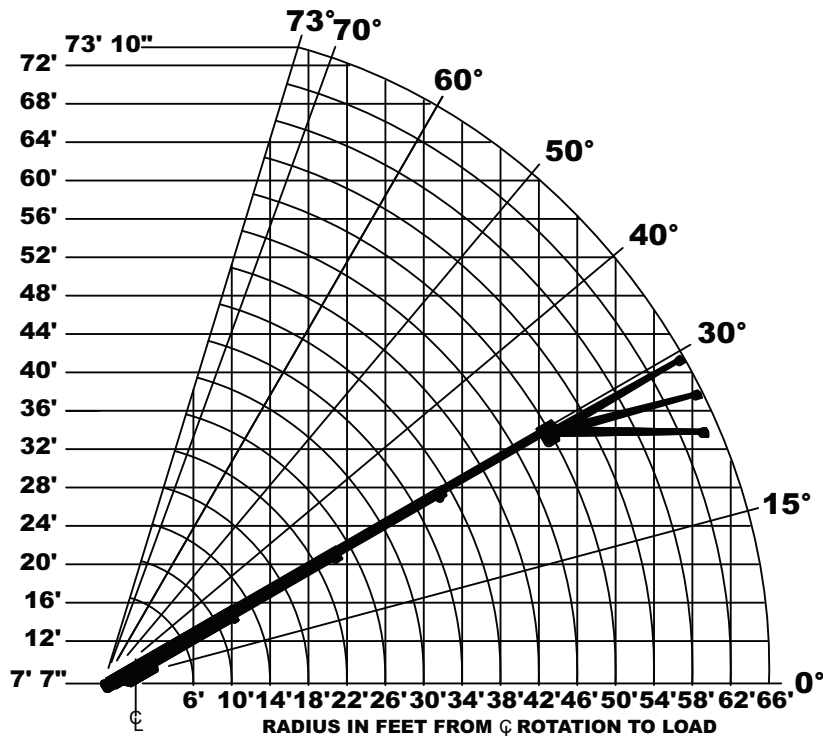
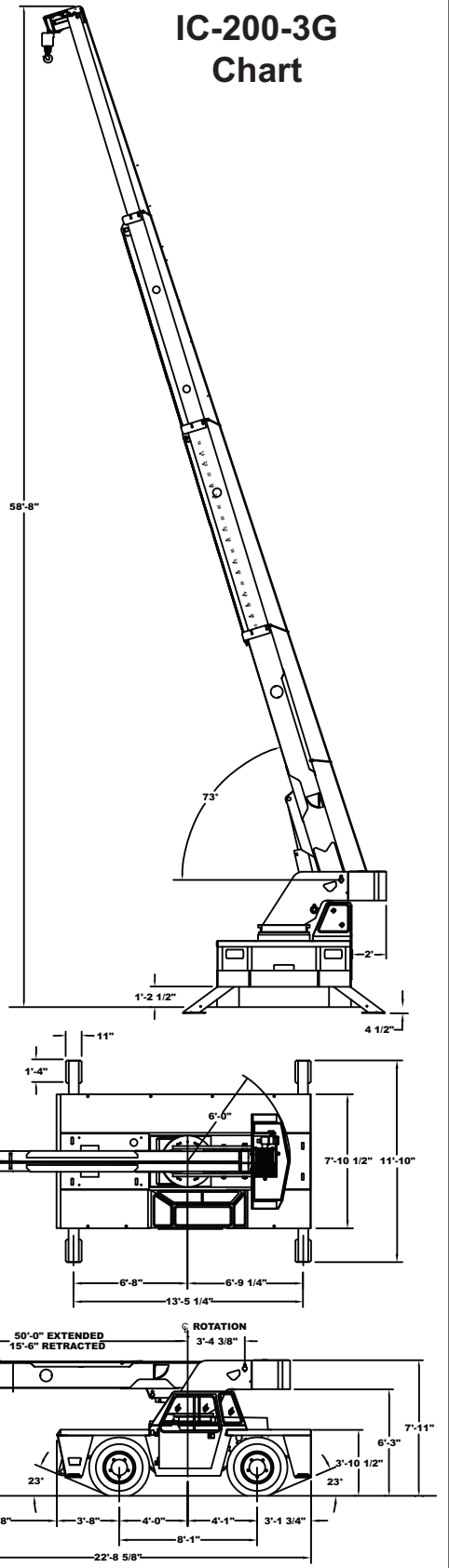


IC-200-2G
Chart

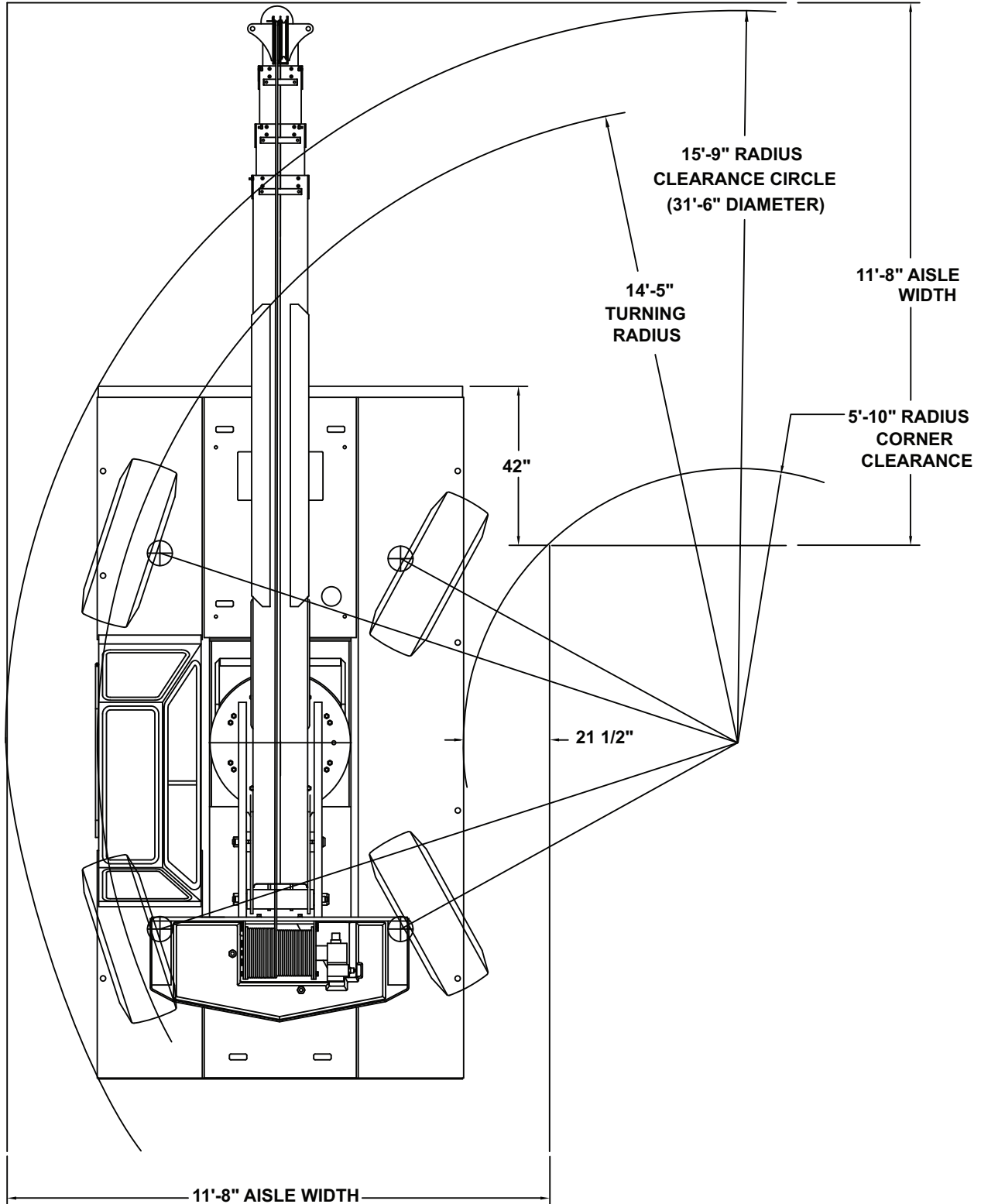


CAPACITIES IN POUNDS FOR OPERATION ON FIRM LEVEL SURFACE								
LOAD RADIUS FEET	MAIN BOOM ONLY				BOOM EXTENSION			
	ON RUBBER		ON OUTRIGGERS		ON RUBBER		ON OUTRIGGERS	
	360°	FRONT	360°	FRONT	360°	FRONT	360°	FRONT
6	16000	16400	30000	30000	---	---	---	---
8	12500	13000	22400	22400	---	---	---	---
10	10000	10500	18500	18500	7500	7500	7500	7500
12	8040	8700	15700	15700	7500	7500	7500	7500
14	6500	7200	13500	13500	7500	7500	7500	7500
16	5330	6200	10800	10800	6140	7500	7500	7500
18	4450	5400	9560	9560	5010	6440	7500	7500
20	3720	4700	8550	8550	4200	5430	7500	7500
22	3140	4200	7700	7700	3580	4650	6850	6850
24	2680	3700	6980	6980	3080	4030	6250	6250
26	2300	3200	6300	6350	2660	3530	5750	5750
28	1980	2800	5550	5800	2290	3100	5300	5300
30	1700	2460	4830	5320	1990	2710	4920	4920
32	1470	2150	4200	4900	1730	2400	4580	4580
34	1260	1850	3700	4520	1510	2130	4270	4270
38	920	1300	2970	3870	1140	1680	3530	3760
42	640	950	2400	3340	840	1320	2960	3340
46	390	650	1840	2890	600	1040	2440	2980
50	0	550	1750	2520	410	800	2040	2630
54	---	---	---	---	0	600	1710	2290
58	---	---	---	---	0	430	1370	2000
62	---	---	---	---	0	290	1140	1740
66	---	---	---	---	0	0	930	1500
BOOM EXT. ANGLE	BOOM EXTENSION - STRAIGHT OR OFFSET							
	MAIN BOOM ANGLE							
	0°	15°	30°	40°	50°	60°	70°	
0°	3000	3100	3450	3900	4650	6000	7500	
15°	---	3000	3000	3000	3000	3700	5000	
30°	---	---	2500	2500	2600	3100	3800	

CAUTION BOOM EXTENSION LOADS MUST NOT EXCEED MAIN BOOM CAPACITY.
BOOM EXTENSION DEDUCT: 400 LBS. WHEN STOWED ON BASE BOOM.



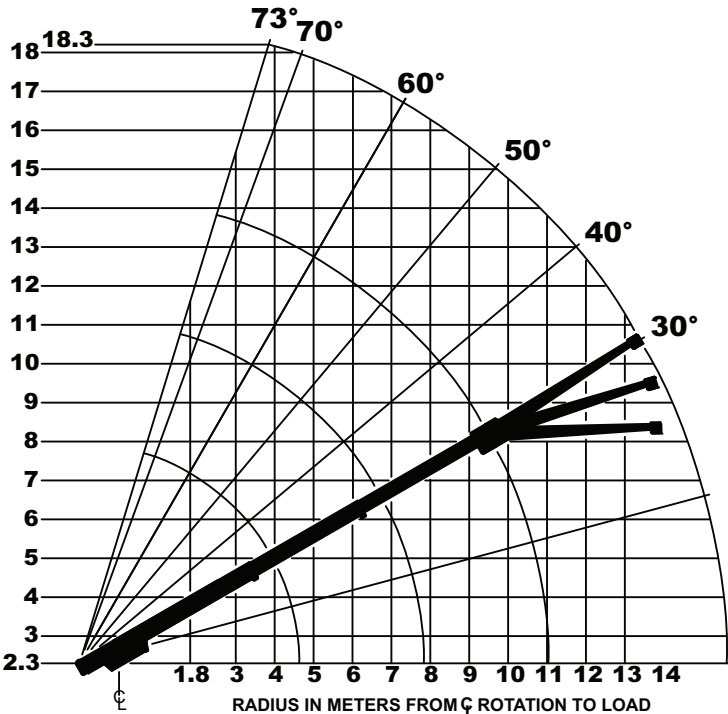
**IC-200-G
Turn Chart**



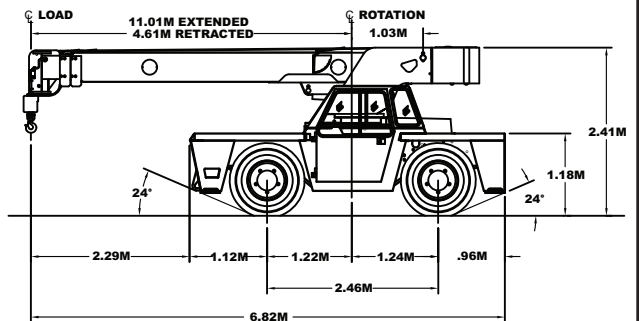
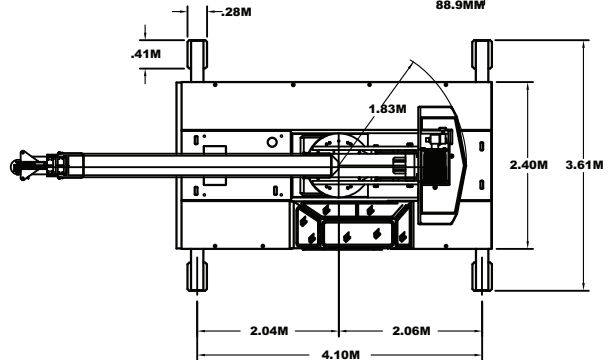
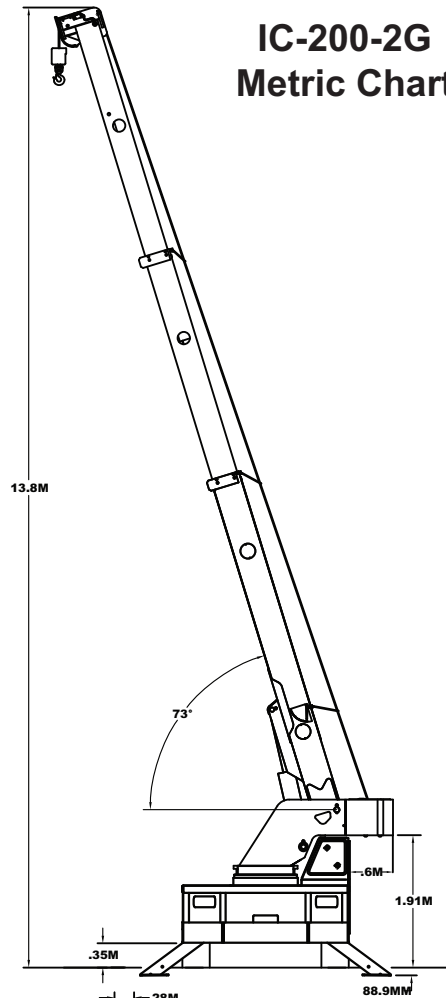
CAPACITIES APPLY TO OPERATION ON FIRM LEVEL SURFACE							
LOAD RADIUS METERS	MAIN BOOM OR EXTENSION CAPACITIES IN KILOGRAMS						
	360° ROTATION		OVER FRONT				
	ON RUBBER	ON OUTRIGGERS	ON RUBBER	ON OUTRIGGERS			
1.8	7350	13600	7710	13600			
2.0	6940	12700	7240	12700			
2.5	5870	10700	6150	10700			
3.0	4900	9120	5290	9120			
3.5	3850	7690	4560	7690			
4.0	3040	6620	3920	6620			
4.5	2540	5700	3300	5700			
5.0	2130	4970	2720	4970			
6.0	1540	4080	2000	4080			
7.0	1170	3250	1490	3330			
8.0	910	2570	1160	2780			
9.0	750	2160	970	2450			
10.0	610	1820	800	2150			
11.0	520	1530	680	1900			
12.0	420	1410	560	1670			
13.0	330	1250	460	1470			
14.0	250	1090	390	1320			
15.0	170	940	310	1170			
15.5	120	870	270	1090			
15-FOOT BOOM EXTENSION - STRAIGHT OR OFFSET							
4.5M BOOM EXT. EXTENSION ANGLE	MAIN BOOM ANGLE						
	0°	15°	30°	40°	50°	60°	70°
	0°	1400	1560	1770	2110	2720	3400
	15°	1360	1400	1500	1650	1930	2360
30°	1360	1380	1450	1560	1770		

CAUTION BOOM EXTENSION LOADS MUST NOT EXCEED MAIN BOOM CAPACITY.

CAPACITIES ON OUTRIGGERS ARE 85% OF TIPPING LOADS. CAPACITIES ON RUBBER ARE 75% OF TIPPING LOADS. CAPACITIES BELOW BOLD LINE ARE LIMITED BY TIPPING. OTHER CAPACITIES ARE LIMITED BY STRUCTURAL OR HYDRAULIC CAPABILITY.

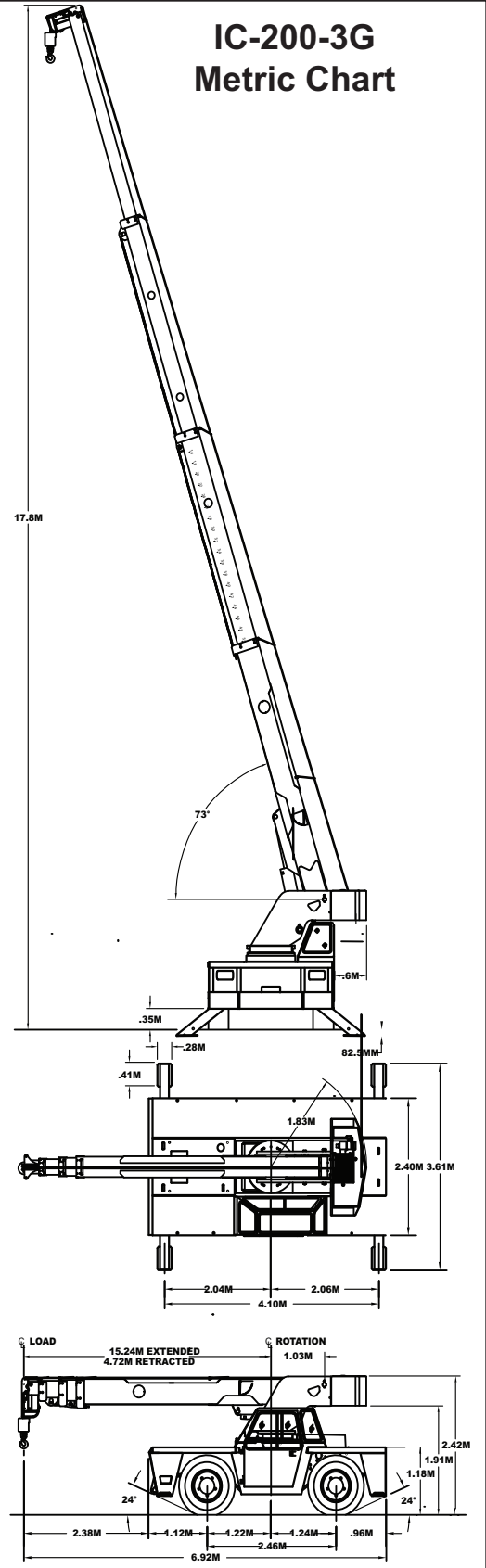
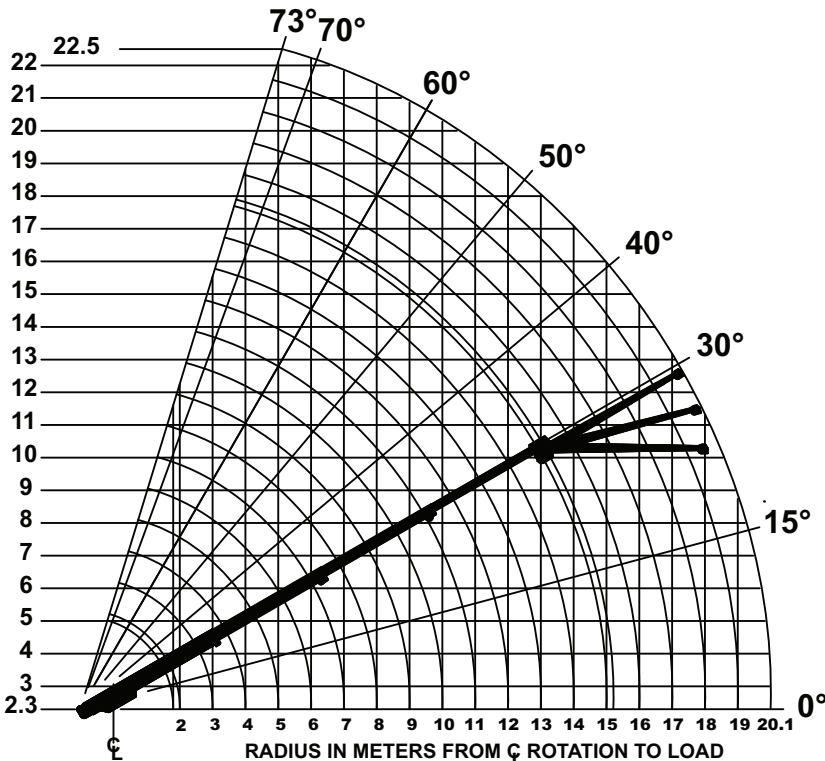


IC-200-2G
Metric Chart



CAPACITIES IN KILOGRAMS FOR OPERATION ON FIRM LEVEL SURFACE								
LOAD RADIUS METERS	MAIN BOOM ONLY				BOOM EXTENSION			
	ON RUBBER		ON OUTRIGGERS		ON RUBBER		ON OUTRIGGERS	
	360°	FRONT	360°	FRONT	360°	FRONT	360°	FRONT
1.8	7250	7430	13600	13600	---	---	---	---
2.0	6800	7000	12630	12630	---	---	---	---
2.5	5550	5780	9970	9970	---	---	---	---
3.0	4620	4840	8520	8520	3400	3400	3400	3400
3.5	3850	4150	7440	7440	3400	3400	3400	3400
4.0	3240	3560	6550	6550	3400	3400	3400	3400
4.5	2740	3090	5650	5650	3160	3400	3400	3400
5.0	2330	2730	4780	4780	2680	3300	3400	3400
5.5	2000	2440	4320	4320	2260	2910	3400	3400
6.0	1730	2180	3940	3940	1960	2535	3400	3400
7.0	1320	1790	3330	3330	1510	1970	2970	2970
8.0	1020	1420	2810	2840	1180	1570	2580	2580
9.0	800	1150	2260	2460	935	1270	2270	2270
10.0	625	915	1810	2150	745	1030	2020	2020
11.0	490	700	1500	1890	590	850	1760	1810
12.0	370	530	1250	1670	470	705	1510	1635
13.0	270	400	1040	1480	360	575	1300	1475
14.5	105	275	815	1240	235	425	1030	1290
15.3	0	245	790	1140	185	350	890	1190
17.0	---	---	---	---	0	230	700	980
18.0	---	---	---	---	0	175	590	870
19.0	---	---	---	---	0	120	500	780
20.1	---	---	---	---	0	0	420	680
BOOM EXTENSION - STRAIGHT OR OFFSET								
BOOM EXT. ANGLE	MAIN BOOM ANGLE							
	0°	15°	30°	40°	50°	60°	70°	
0°	1360	1400	1565	1770	2110	2720	3400	
15°	---	1360	1360	1360	1360	1680	2270	
30°	---	---	1135	1135	1180	1410	1720	

CAUTION: BOOM EXTENSION LOADS MUST NOT EXCEED MAIN BOOM CAPACITY. CAPACITIES ON OUTRIGGERS ARE 85% OF TIPPING LOADS. CAPACITIES ON RUBBER ARE 75% OF TIPPING LOADS. CAPACITIES BELOW BOLD LINE ARE LIMITED BY TIPPING. OTHER CAPACITIES ARE LIMITED BY STRUCTURAL OR HYDRAULIC CAPABILITY.



**IC-200-G
Metric Turn Chart**

