



BIK Hydraulics Ltd.
41 Claireville Drive
Toronto, Ontario, M9W 5Z7
(416) 679-3838
sales@bikboomtrucks.com

BIK SERIES



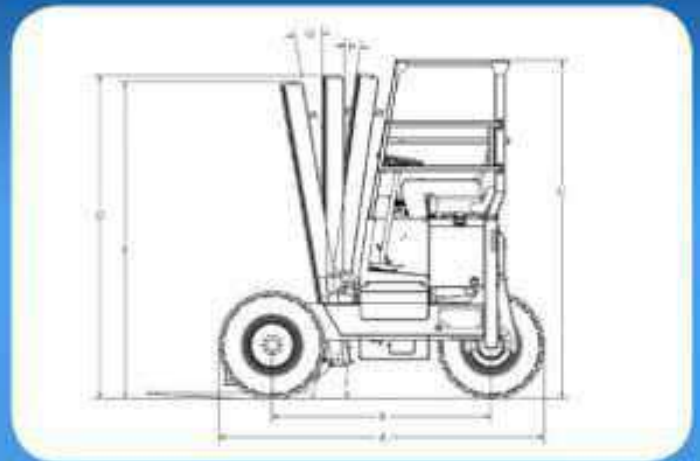
BIK
SERIES
3WD FORKLIFTS

For over 25 years, BIK Hydraulics Ltd. has been a leading provider of truck and trailer mounted unloaders across North America. BIK is a true full-service dealership that sells complete turn-key truck packages with 24/7 Live Tech Support, Nationwide Warranty and Parts/Service Support.

BIK SERIES

5,000 lbs - 5,500 lbs load capacity

The BIK series is a compact all wheel drive truck mounted forklift that was designed to operate in both paved and rough terrain in a variety of applications. The BIK is offered in a 5,000 lbs or 5,500 lbs lift capacities which easily mounts to your trailer and comes standard with LED lights.



SPECIFICATION	Ref.	ML50-10	ML55-10
Lift Capacity @ 24" load centre (lbs)		5,000	5,500
Overall length (without forks)	A	96.5"	
Overall width		99"	
Wheelbase	B	65"	
Height to top of canopy	C	99.5"	
Closed height standard mast	D	95.5"	
Maximum lift height (std. mast)		120"	
Height standard full mast tilt	E	93.5"	
Outside turning radius		85"	
Ground clearance	F	11"	
Mast clearance		11"	
Mast tilt - forward	G	10°	
Mast tilt - rear	H	8°	
Travel speed unladen - forward		7 mph	
Gradeability		30%	
Drive		3 Wheel Hydrostatic	
Tire size - front		31 x 15.5 -15 R1	
Tire size - rear		31 x 15.5 -15 R1	
Engine		Turbo Diesel	
Cylinders		4 Cylinders	
Horsepower		49 HP @ 2400 RPM	
Overhang		64"	
Shipping weight (lbs)		6,100	6,400

Manufacturers specifications subject to change without notice

NOTE: The information herein is general in nature and is not intended for specific application purposes. Omega Lift reserves the right to make any changes in the specifications shown herein, and improvements, or discontinue manufacture at any time without notice or obligation. Units shown may be equipped with non-standard equipment. All machines are manufactured to meet or exceed ANSI/ITSDF B56.6 - 2005 Standards or Recommended Practices, where applicable. Printed in Canada. Reorder Code: ML-1-10-15