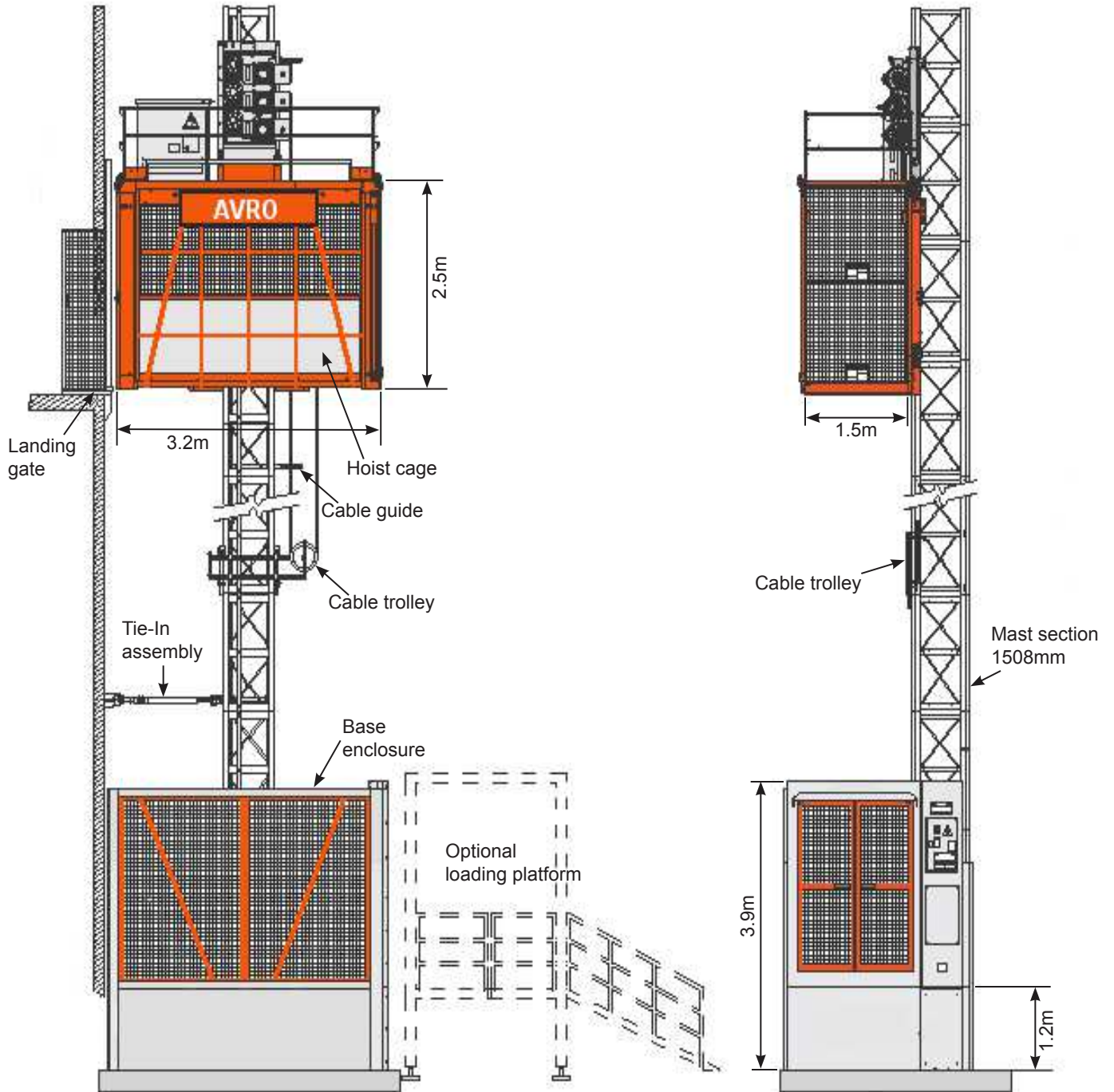


# AVRO Model SC225

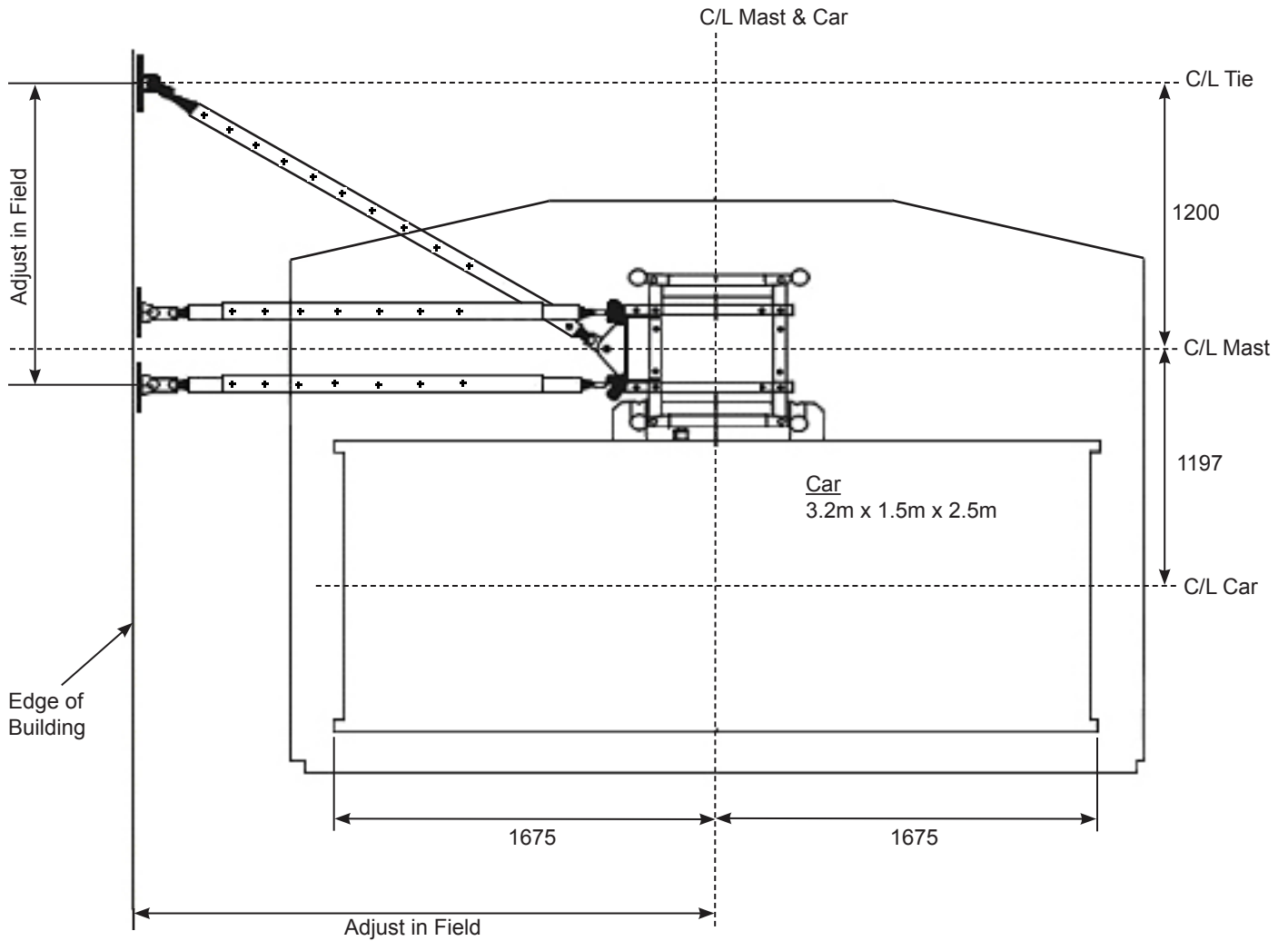
5000 lb Single Cage Man & Material Hoist



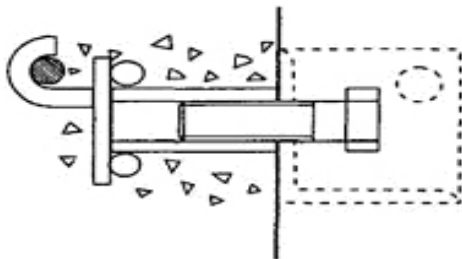
# AVRO Model SC225

5000 lb Single Cage Man & Material Hoist

## TIE-IN PLAN VIEW

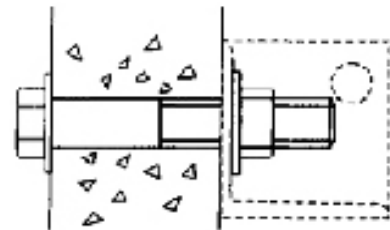


Note: All hoist cages are designed and built in conformance with CAN/CSA-Z185-M87 local safety code. All sizes and dimensions are subject to change at any time without notice and must be verified by a local certified engineer. Any changes or modifications should be consulted with AVRO Hoist Co.



Attached to embedded bracket in structural part of building

### MAST TIE CONNECTIONS



Fixed with through bolts

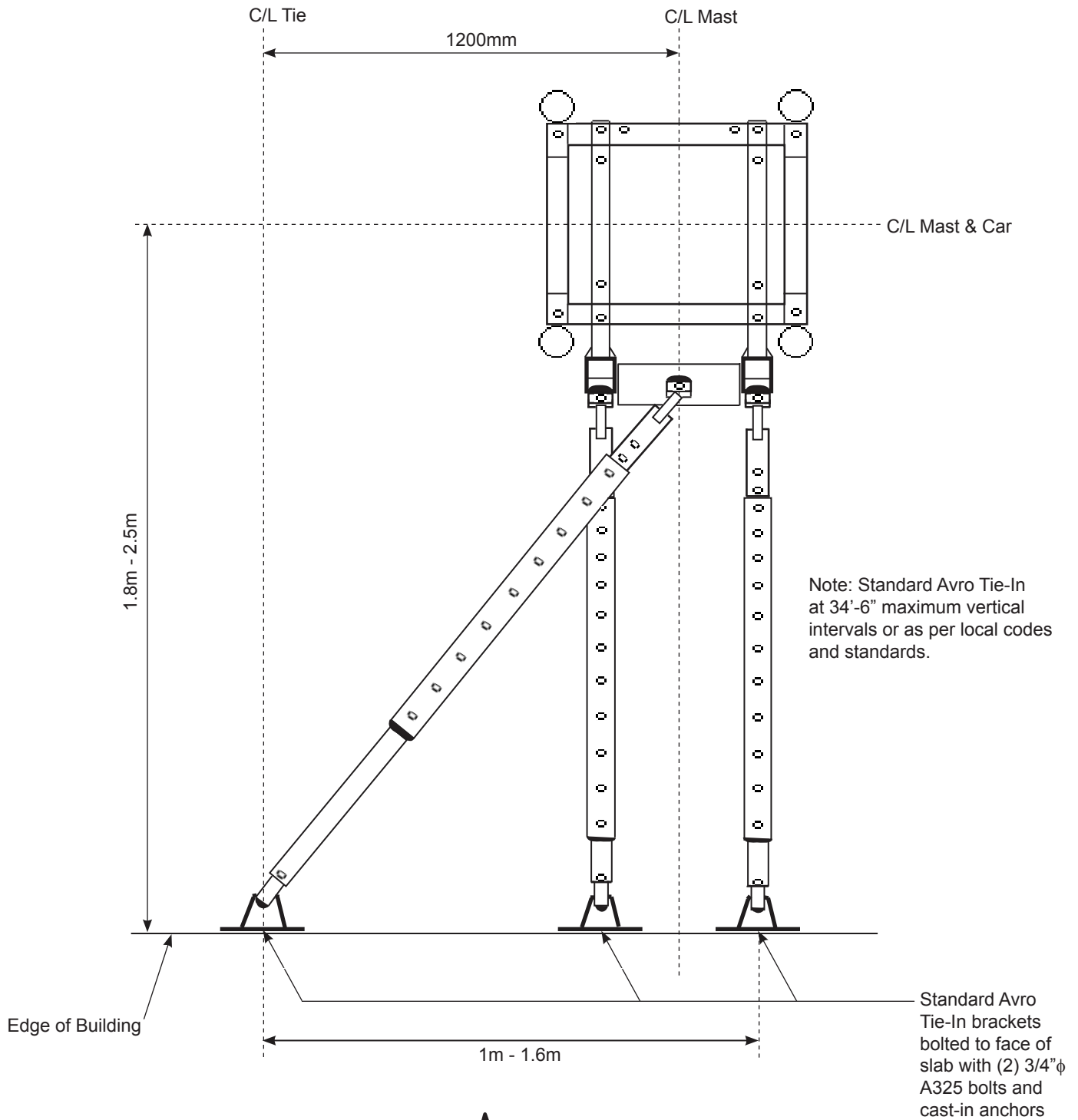


"Taking you above the rest"

# AVRO Model SC225

5000 lb Single Cage Man & Material Hoist

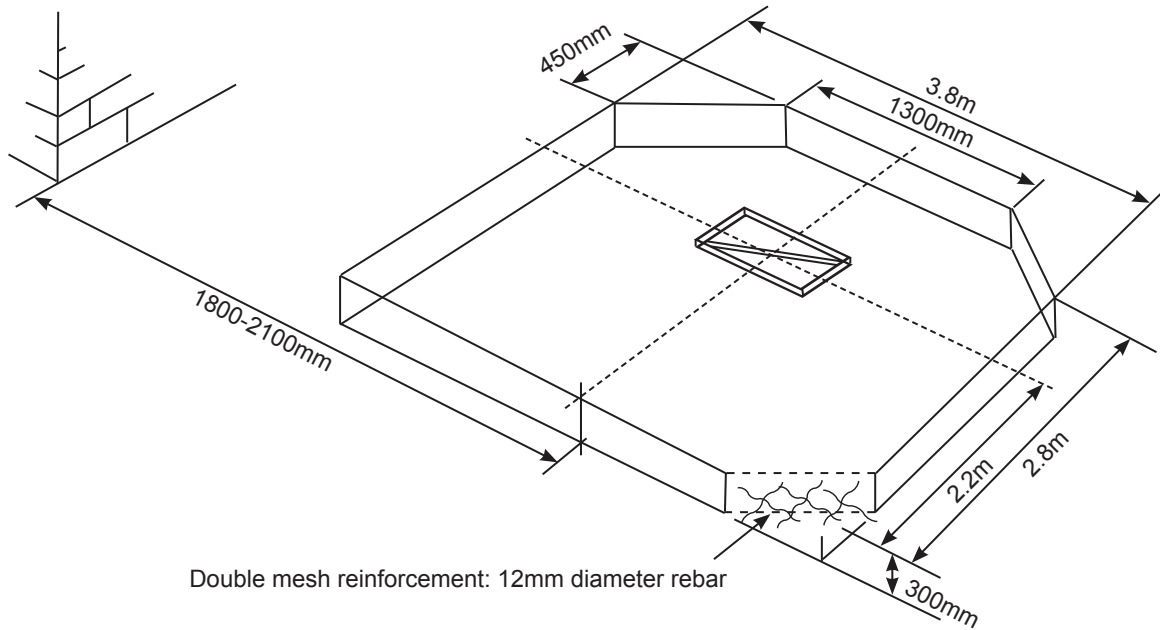
## TIE-IN DETAILS



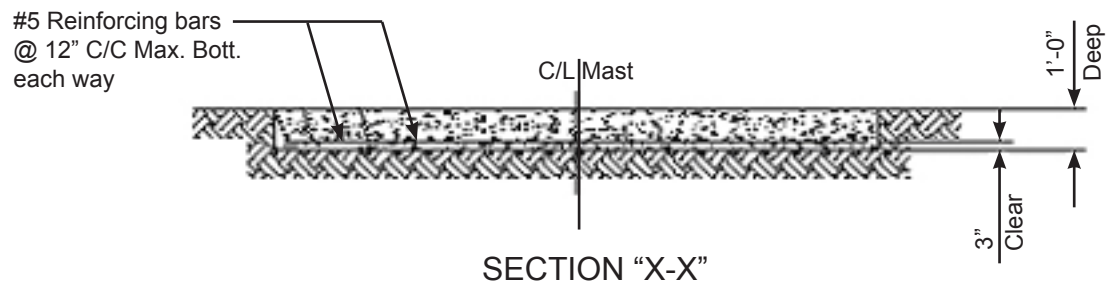
# AVRO Model SC225

5000 lb Single Cage Man & Material Hoist

## FOUNDATION PLAN



Verify hoist dimensions prior to the foundation design.  
May require draining provision.  
Foundation frame must be embedded into the concrete slab.



Note: Minimum soil bearing pressure required to be 3,000 PSF



# AVRO Model SC225

5000 lb Single Cage Man & Material Hoist

<b>TECHNICAL DATA</b>	<b>SC225TD</b>	<b>SC225GZ</b>
Configuration	Single cage hoist	Single cage hoist
Rated load capacity	5000 lbs	5000 lbs
Rated speed	150 fpm (46 m/min)	207 fpm (63 m/min)
Counterweight	No	No
Maximum travel distance	1476 ft	1476 ft
Lifting device (Jump pole) capacity	550 lbs	550 lbs
Safety device	Type D	Type D
Worm gear ratio	12:1	12:1
Brake rating (per car)	145 ft-lb (210 Nm)	145 ft-lb (210 Nm)
<b>CAR DIMENSIONS</b>		
Inside length	3.2m	3.2m
Inside width	1.5m	1.5m
Inside height	2.5m	2.5m
Front/rear gate opening width	1.5m	1.5m
Front/rear gate opening height	2m	2m
Optional side gate opening width	1.9m	1.9m
Optional side gate opening Height	2m	2m
<b>ELECTRICAL DATA</b>		
Power supply	440-460/3/60	440-460/3/60
3-Motor drive machinery:		
Horsepower	(3)x20hp(15kW)	(3)x25hp(18.5kW)
Full load current	92.6 Amp	113.4 Amp
Starting current	Varies	Varies
Variable frequency drive	74hp (55kW)	100hp (75kW)
Brake pwer supply	195 V.d.c.	195 V.d.c.
<b>WEIGHTS</b>		
Gross weight (per car)	5060 lbs	5060 lbs
Weight per mast section (4mm-8mm)	275-550 lbs	275-550 lbs
Weight of travelling cable system	4 lbs/ft	4 lbs/ft
Weight of Tie-In	10% of total mast weight	10% of total mast weight
Weight of ground enclosure	3260 lbs	3260 lbs



"Taking you above the rest"